

# TRILLIANE 5853- \_\_ \_ H













6 Lights  
Diameter: 16"  
Body Length: 13"  
Hanging Weight: 14lbs.

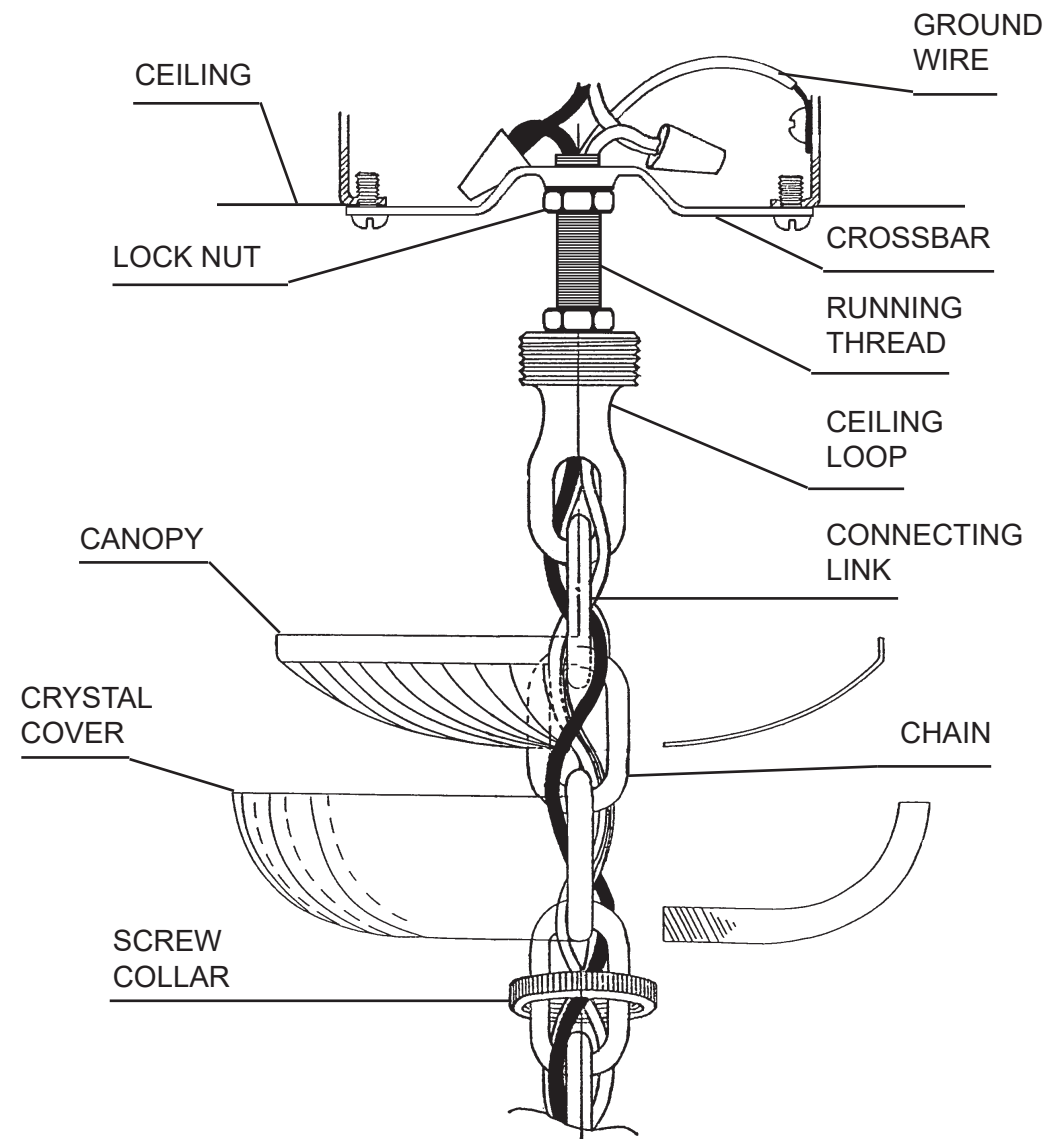
**T**HIS DESIGN IS THE PROPRIETARY  
TRADE DRESS/TRADEMARK OF  
W SCHONBEK LLC.

 **SCHONBEK** | 1870

 **SCHONBEK** | 1870

								
MAX <b>60</b> W	110-120 V							

All electrical components must be installed by a licensed electrician in accordance with the National Electric Code and the appropriate local electrical codes.



**1 MAKE SURE POWER IS DISCONNECTED!!**

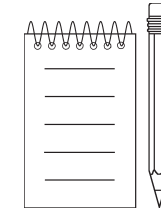
**2** Attach crossbar to outlet box.

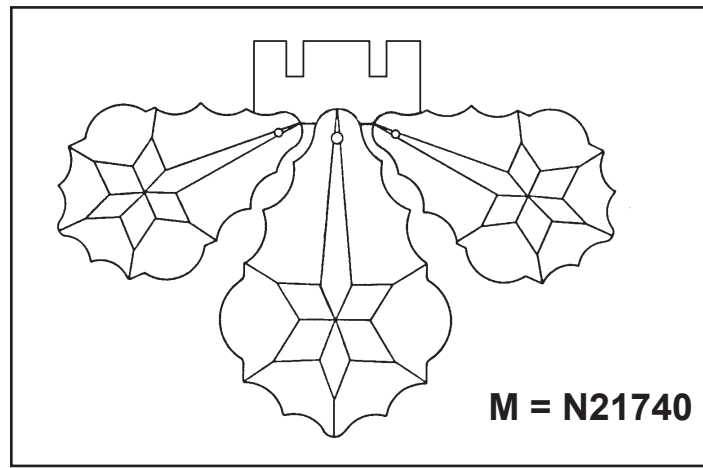
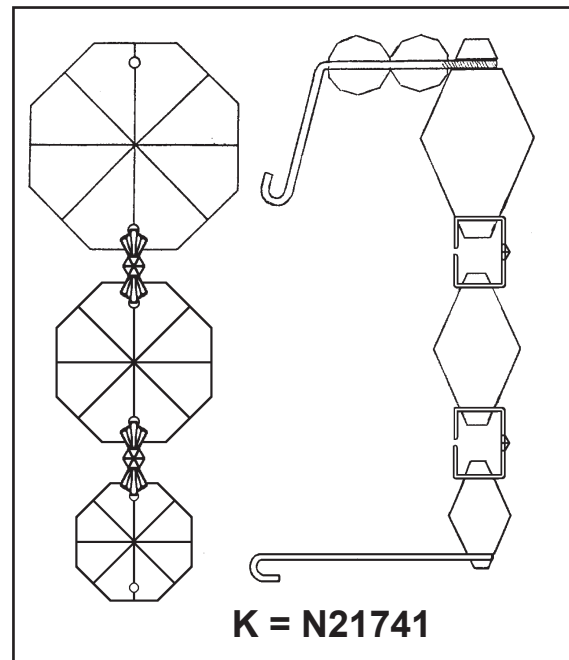
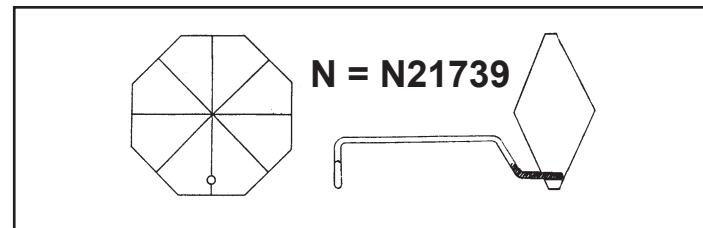
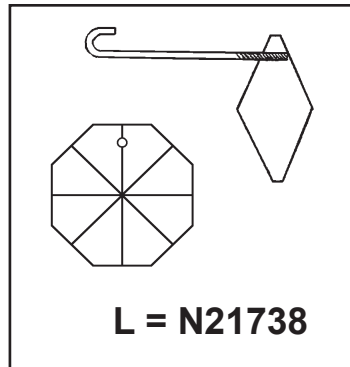
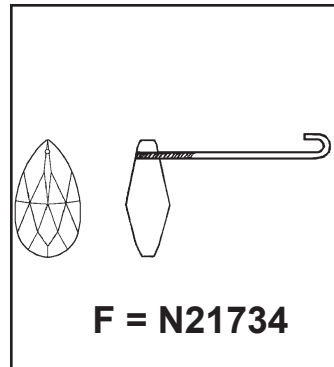
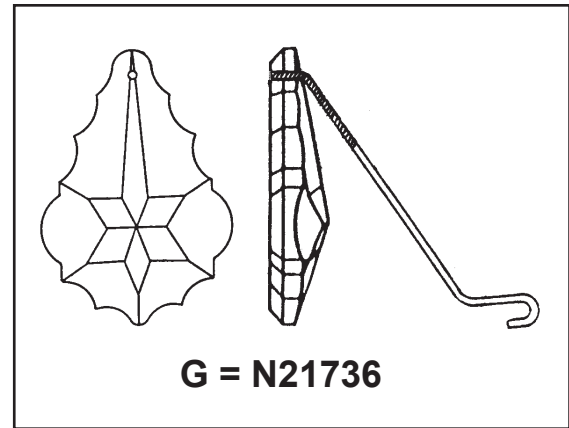
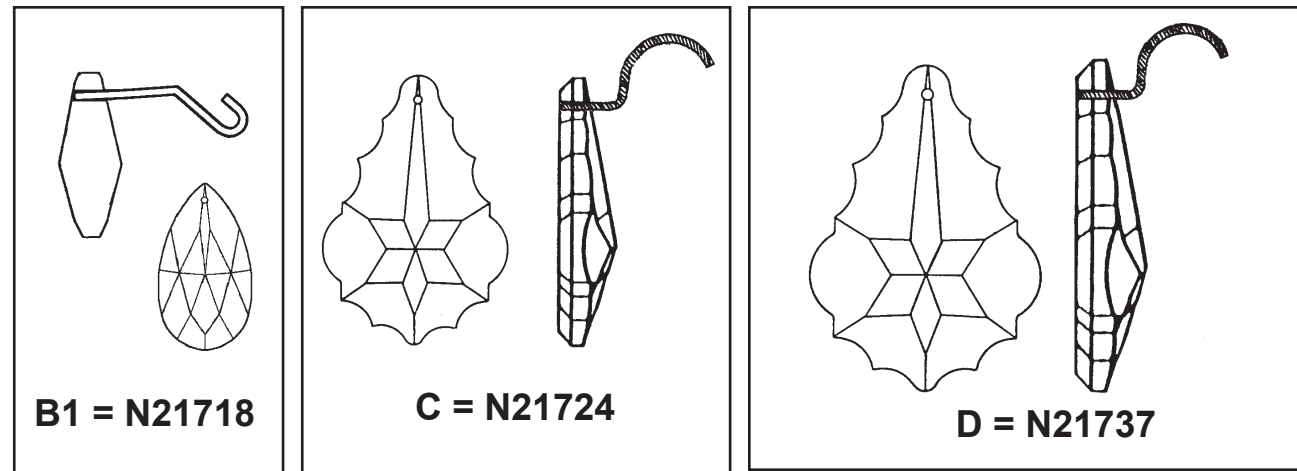
**3** Slip screw collar, crystal cover and metal canopy over chain and then determine at what length the fixture is to be suspended. Join the required length of fixture chain to connecting link on stem of fixture and loop attached to ceiling canopy at other end.

**4** Feed stem wires through chain, through loop at canopy end, and attach to power wires in outlet box. Fixture **MUST** be grounded.

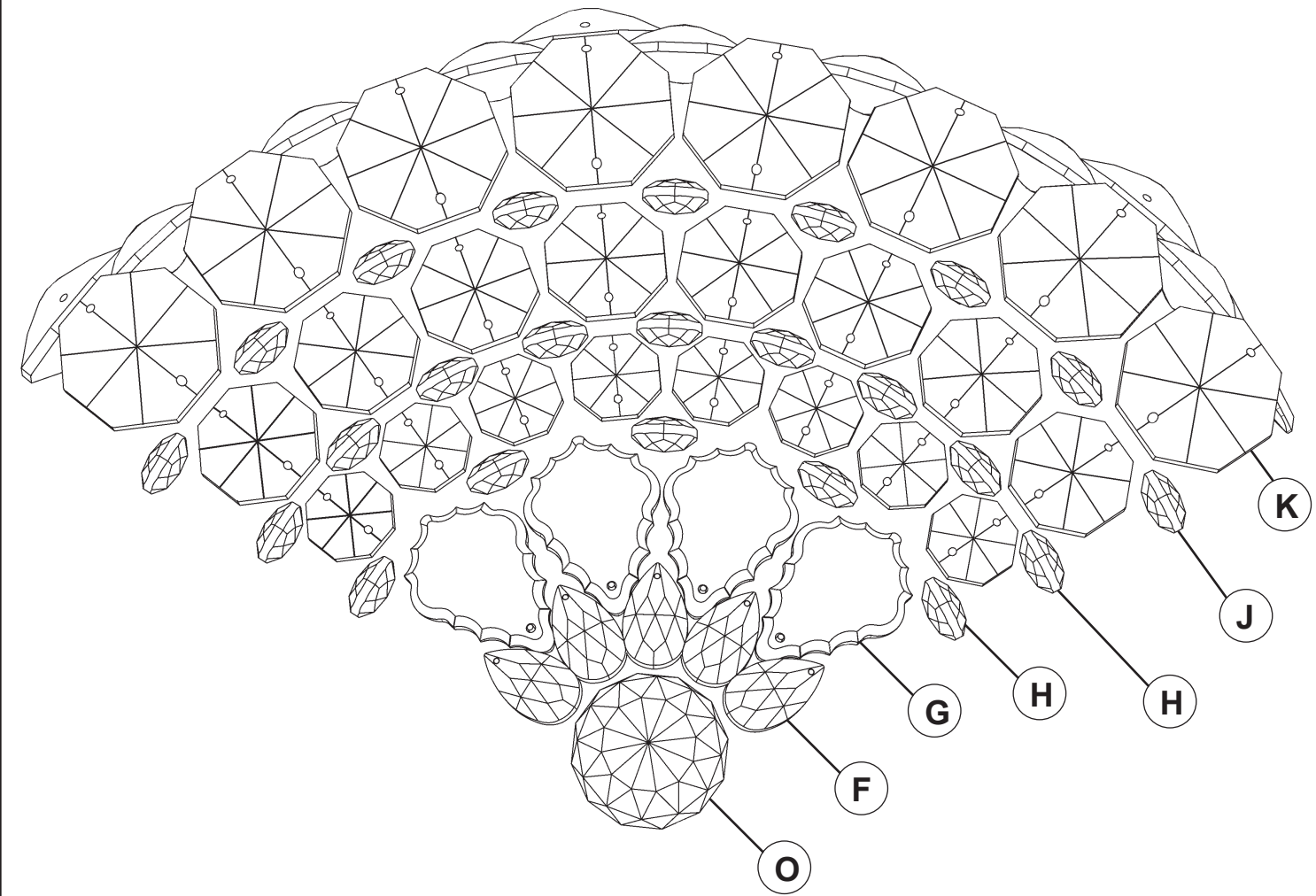
**5** Check distance from ceiling to loop to assure canopy assembly will be flush against ceiling.

**6** Attach canopy to ceiling with screw collar, thereby retaining complete assembly against ceiling. Screw bulbs into all sockets. Test power to insure proper wiring before hanging trim from fixture.



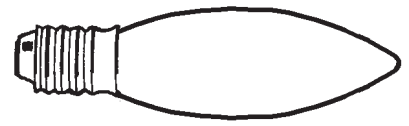


**CRYSTAL BASKET DETAIL**



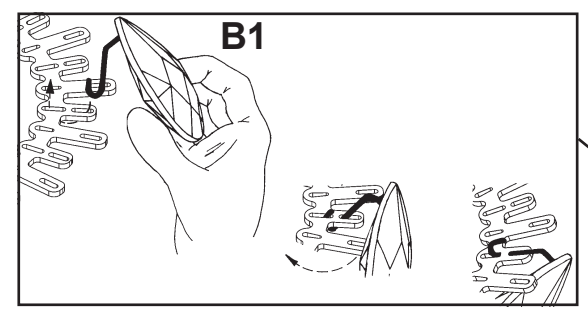


**7**

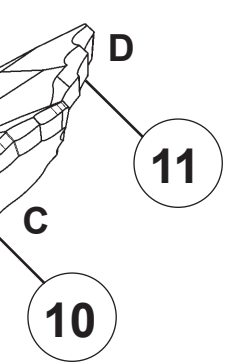


You will need 6 - B10  
25 Watts Recommended  
60 Watts Max

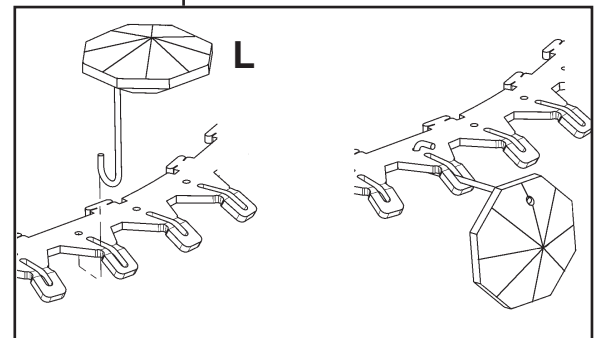
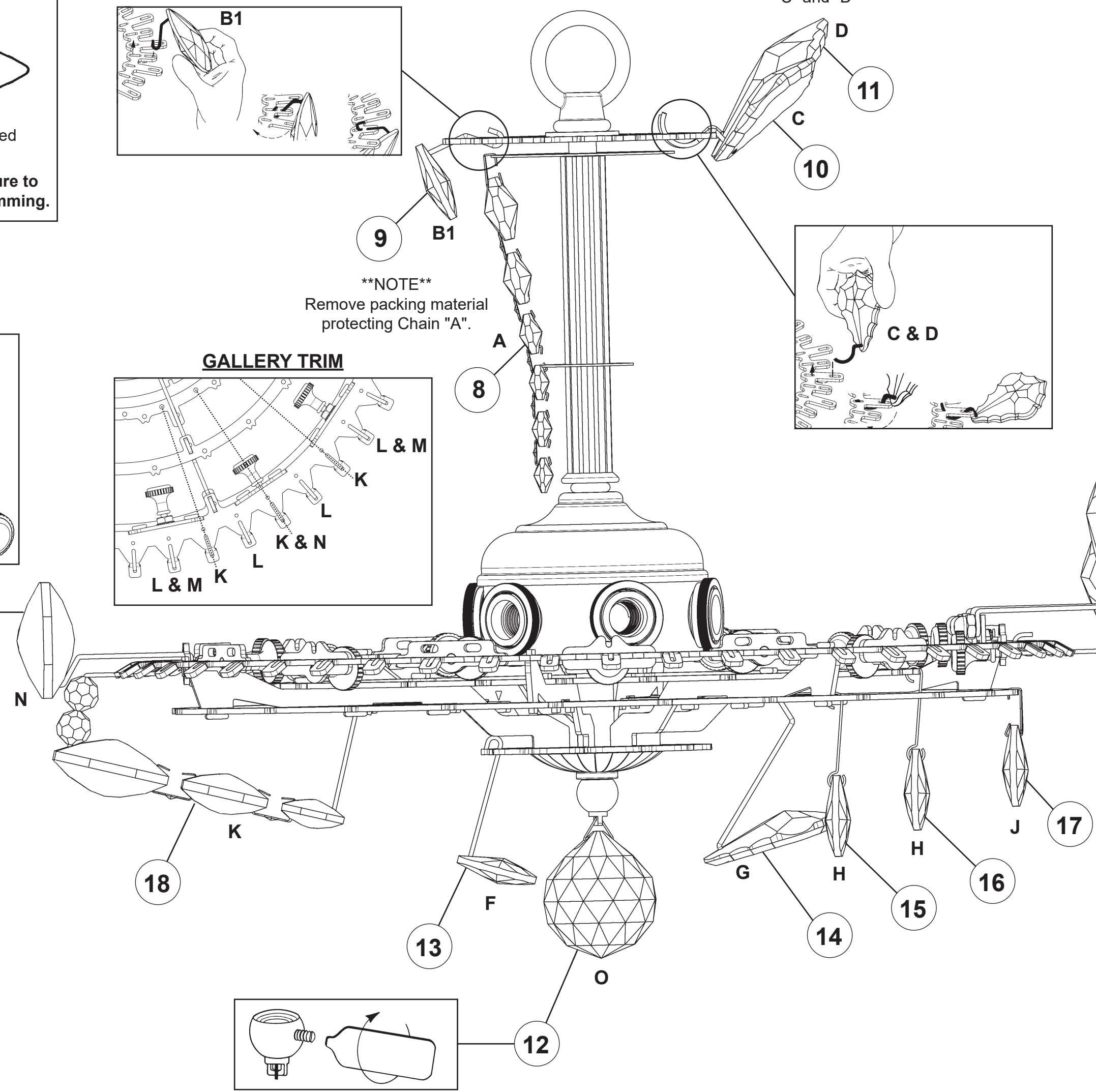
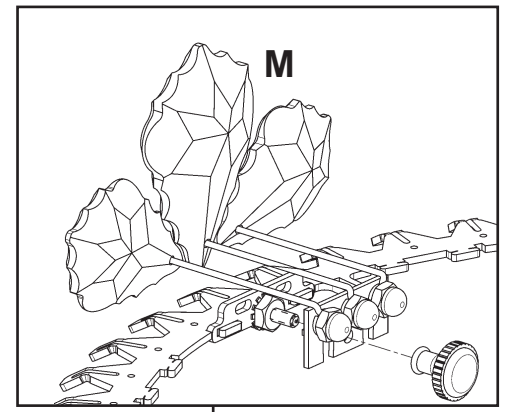
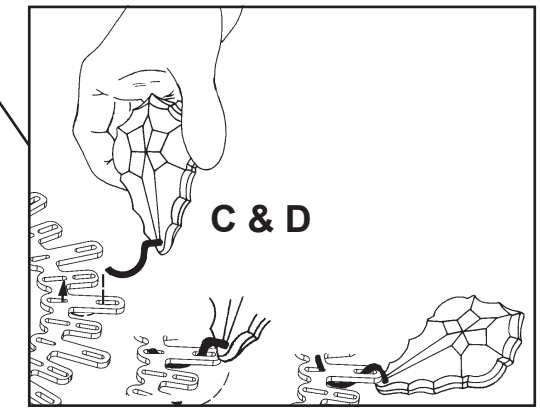
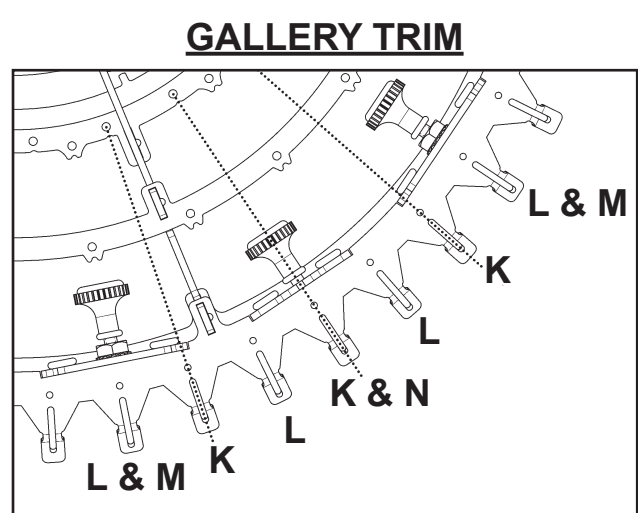
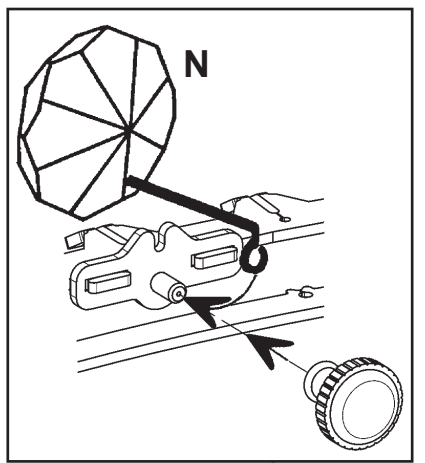
**Install bulbs and be sure to  
test fixture BEFORE trimming.**



ALTERNATE hanging letters  
"C" and "D"



**\*\*NOTE\*\***  
Remove packing material  
protecting Chain "A".



# TRILLIANE 5853- \_\_ \_\_ R













6 Lights  
Diameter: 16"  
Body Length: 13"  
Hanging Weight: 14lbs.

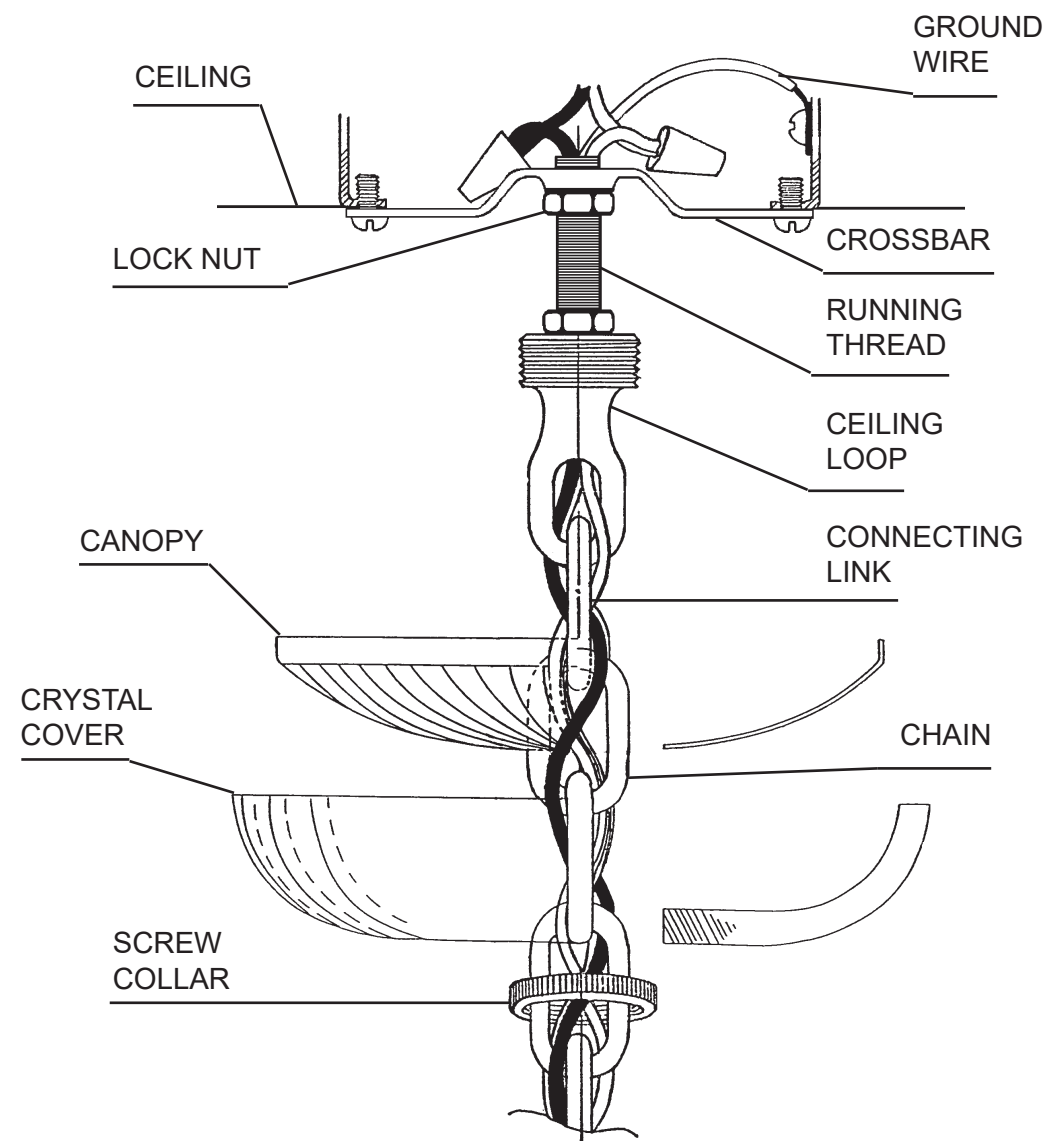
**T**HIS DESIGN IS THE PROPRIETARY  
TRADE DRESS/TRADEMARK OF  
W SCHONBEK LLC.

 **SCHONBEK** | 1870

 **SCHONBEK** | 1870

								
MAX <b>60</b> W	110-120 V							

All electrical components must be installed by a licensed electrician in accordance with the National Electric Code and the appropriate local electrical codes.



**1 MAKE SURE POWER IS DISCONNECTED!!**

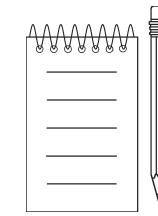
**2** Attach crossbar to outlet box.

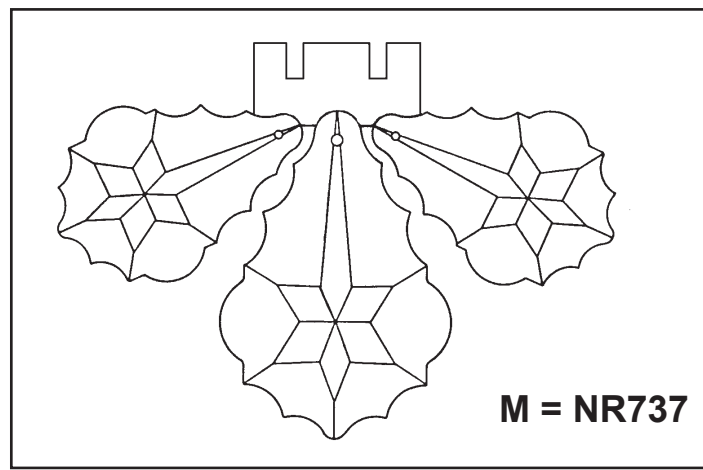
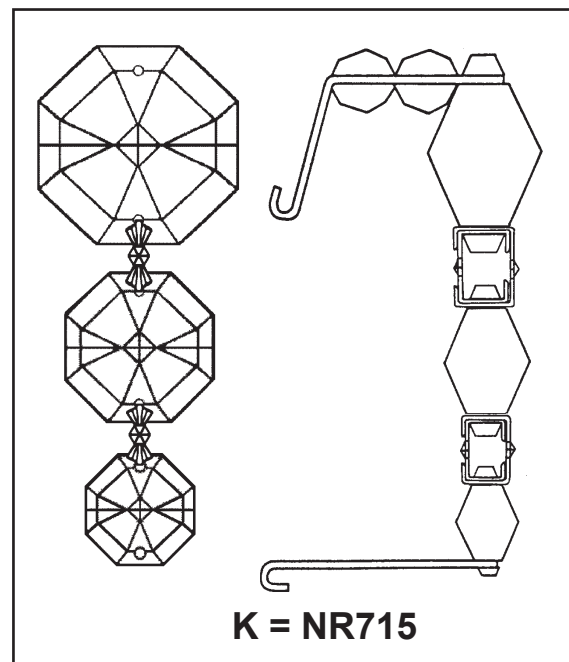
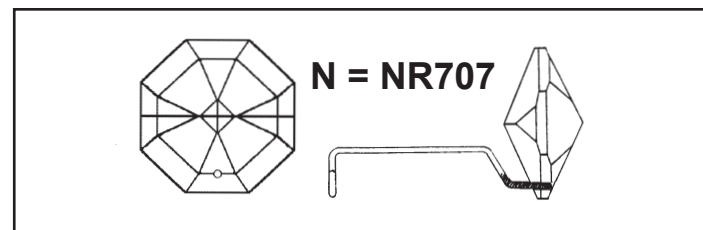
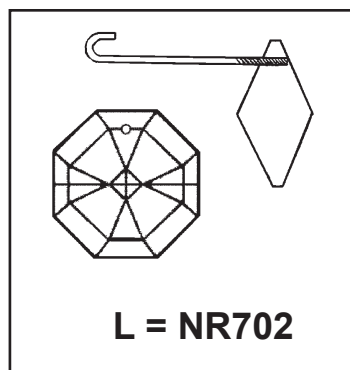
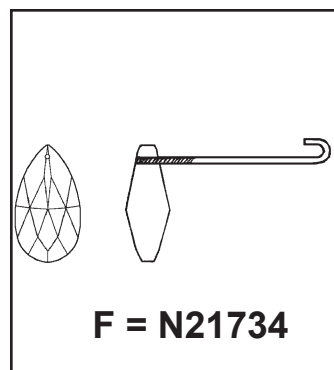
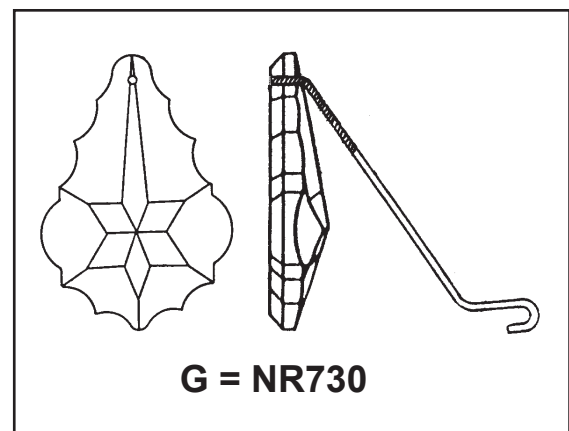
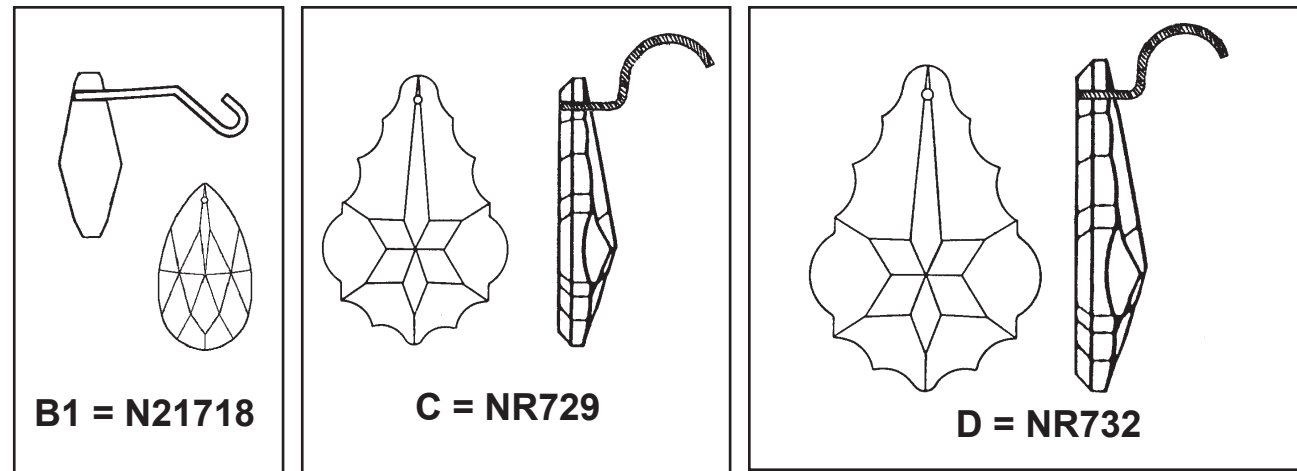
**3** Slip screw collar, crystal cover and metal canopy over chain and then determine at what length the fixture is to be suspended. Join the required length of fixture chain to connecting link on stem of fixture and loop attached to ceiling canopy at other end.

**4** Feed stem wires through chain, through loop at canopy end, and attach to power wires in outlet box. Fixture **MUST** be grounded.

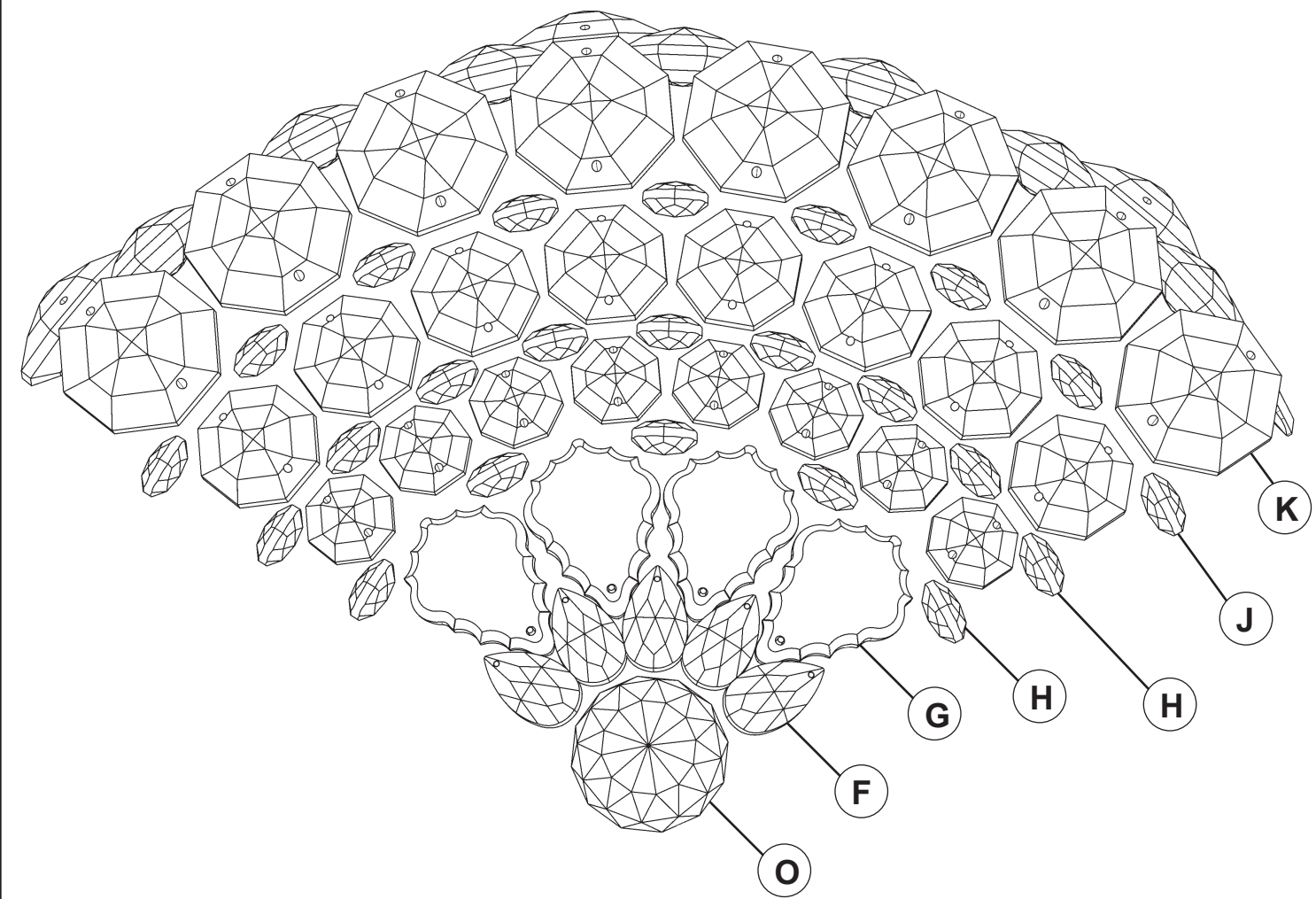
**5** Check distance from ceiling to loop to assure canopy assembly will be flush against ceiling.

**6** Attach canopy to ceiling with screw collar, thereby retaining complete assembly against ceiling. Screw bulbs into all sockets. Test power to insure proper wiring before hanging trim from fixture.



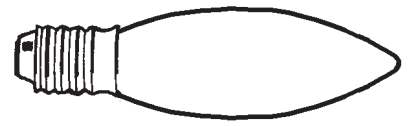


**CRYSTAL BASKET DETAIL**



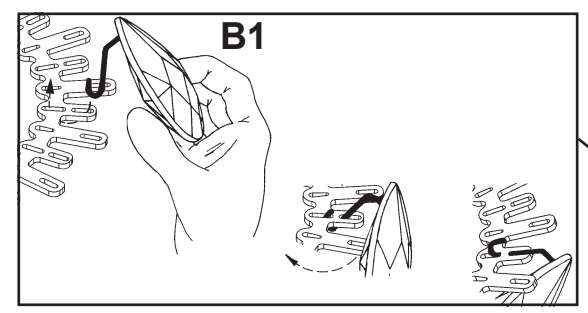


**7**

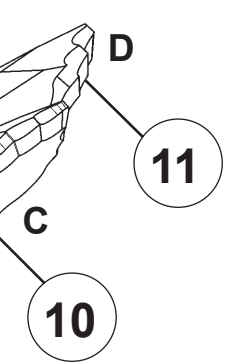


You will need 6 - B10  
25 Watts Recommended  
60 Watts Max

**Install bulbs and be sure to  
test fixture BEFORE trimming.**



ALTERNATE hanging letters  
"C" and "D"



**\*\*NOTE\*\***  
Remove packing material  
protecting Chain "A".

**GALLERY TRIM**

