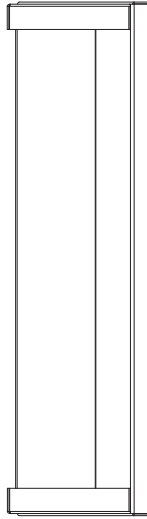


ASSEMBLY & INSTALLATION INSTRUCTIONS

Fixture
BWSW20624

SCHONBEK
Beyond



WARNING

IMPORTANT: NEVER attempt any work without shutting off the electricity.

- o Read all instructions before installing.
- o System is intended for installation in accordance with the National Electrical Code (NEC), other applicable installation code(s) and local regulations by a licensed electrician familiar with the operation of the product and the hazards involved.
- o Go to the main fuse box, or circuit breaker panel. Place the main power switch in the "OFF" position and unscrew the fuse (s) or switch "OFF" the circuit breaker switch (es) that control the power to the fixture (s) or room that you are working on.
- o Place the wall switch in the "OFF" position.
- o FAILURE TO INSTALL THIS FIXTURE IN ACCORDANCE WITH THESE INSTRUCTIONS MAY RESULT IN SERIOUS PERSONAL INJURY OR DEATH AND/OR PROPERTY DAMAGE.

CAUTION

- o All parts must be used as indicated in these instructions. Do not substitute any parts, leave parts out, or use any parts that are worn out or broken. Failure to follow this instruction could invalidate the ETL/CETL Listing of this fixture.
- o When handling the fixture, do not apply pressure to the LEDs or bulbs. Hold the fixture by the base only.
- o Do not exceed maximum wattage noted on the fixture. Use only the recommended LED or standard lamps with the fixture.

ADVERTENCIA

IMPORTANTE: NUNCA trate de hacer ningún trabajo sin desconectar la electricidad.

- o Lea todas las instrucciones antes de instalar.
- o El sistema tiene por objeto la instalación de acuerdo con el Código Eléctrico Nacional, y otros códigos de instalación y reglamentos locales aplicables, por parte de un electricista autorizado que esté familiarizado con el funcionamiento del producto y los peligros involucrados.
- o Vaya a la caja de fusibles o al panel de disyuntores principal. Ponga el interruptor principal de alimentación en la posición de "APAGADO", y desenrosque los fusibles o "DESCONECTE" los disyuntores que controlen la alimentación a los dispositivos o la habitación en los que usted está trabajando.
- o Ponga el interruptor de pared en la posición de "APAGADO".
- o EL HECHO DE NO INSTALAR ESTE DISPOSITIVO DE ACUERDO CON ESTAS INSTRUCCIONES PODRÍA RESULTAR EN UNA LESIÓN PERSONAL GRAVE O LA MUERTE, Y/O DAÑOS A LA PROPIEDAD.

PRECAUCIÓN

- o Todas las piezas deben usarse como se indica en estas instrucciones. No sustituya ninguna pieza, no deje piezas fuera, ni utilice ninguna pieza que esté desgastada ni rota. El hecho de no seguir estas instrucciones podría invalidar la certificación ETL/CETL de este dispositivo.
- o Al manipular el dispositivo, no aplique presión a los LED ni las bombillas. Sujete el dispositivo solo por la base.
- o No exceda la potencia máxima indicada en el dispositivo. Use solo los LED o las bombillas estándar recomendados con el dispositivo.

ADVERTENCIA

IMPORTANT: NUNCA trate de hacer ningún trabajo sin desconectar la electricidad.

IMPORTANT : Ne JAMAIS entreprendre des travaux sans couper l'électricité.

- o Lire toutes les instructions avant l'installation.
- o Ce système est conçu pour être installé conformément au Code national de l'électricité ou d'autres codes d'installation et réglementations locales en vigueur par un électricien agréé connaissant le fonctionnement de ce produit et les dangers qu'il comporte.
- o Aller à la boîte à fusibles ou panneau principal de disjoncteurs. Placer l'interrupteur d'alimentation principal sur « ARRÊT » et dévisser le ou les fusibles ou mettre sur « ARRÊT » le ou les disjoncteurs qui contrôlent l'alimentation du ou des appareils électriques ou de la pièce dans laquelle vous travaillez.
- o Mettre l'interrupteur mural sur « ARRÊT ».
- o NÉGLIGER D'INSTALLER CET APPAREIL CONFORMÉMENT À CES INSTRUCTIONS RISQUE D'ENTRAÎNER DE GRAVES BLESSURES PERSONNELLES OU LA MORT AINSI QUE DES DOMMAGES MATÉRIELS.
- o MISE EN GARDE
- o Toutes les pièces doivent être utilisées comme indiqué dans ces instructions. Ne remplacer aucune pièce, ne laisser aucune pièce de côté ou n'utiliser aucune pièce usée ou cassée. Le non-respect de cette directive peut invalider l'homologation ETL/CETL de cet appareil.
- o Lors de la manipulation de cet appareil, n'appliquer aucune pression sur les DEL ou les ampoules. Maintenir l'appareil par la base uniquement.
- o Ne pas dépasser le nombre de watts maximum indiqué sur l'appareil. N'utiliser que les DEL ou ampoules standard recommandées dans cet appareil.

SCHONBEK
Beyond

Schonbek, 61 Industrial Blvd, Plattsburgh, New York, 12901

Phone: 1-800-836-1892 | Fax: 518-563-4228 |

www.schonbek.com

ASSEMBLY & INSTALLATION INSTRUCTIONS

Fixture
BWSW20624



Fig. 1

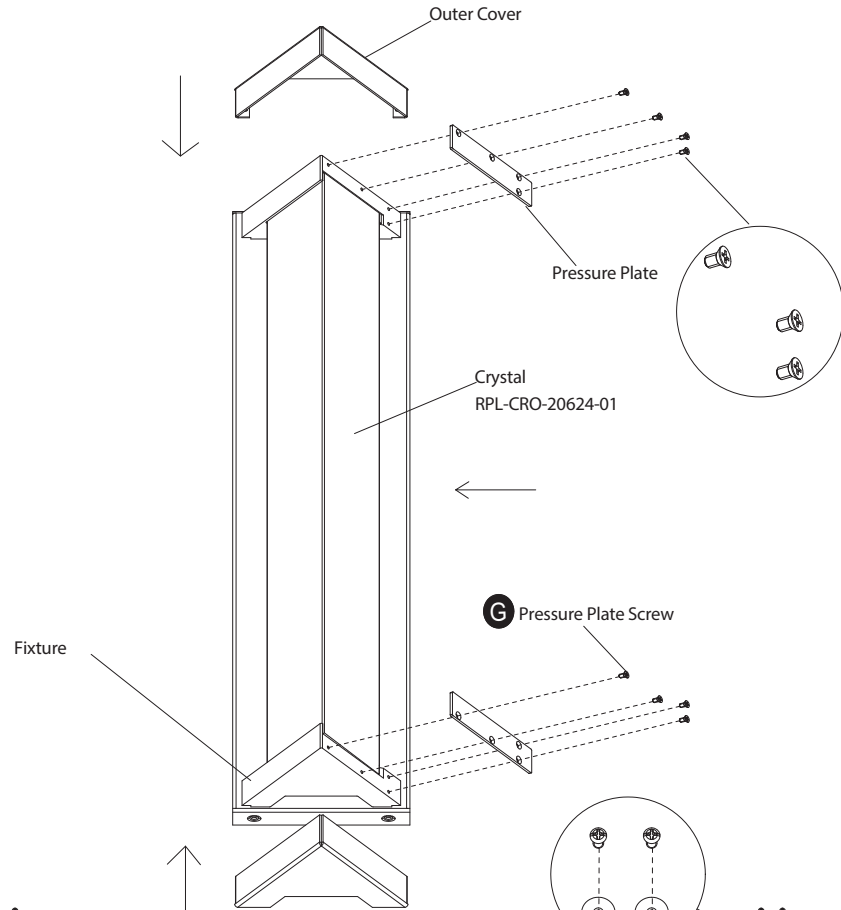
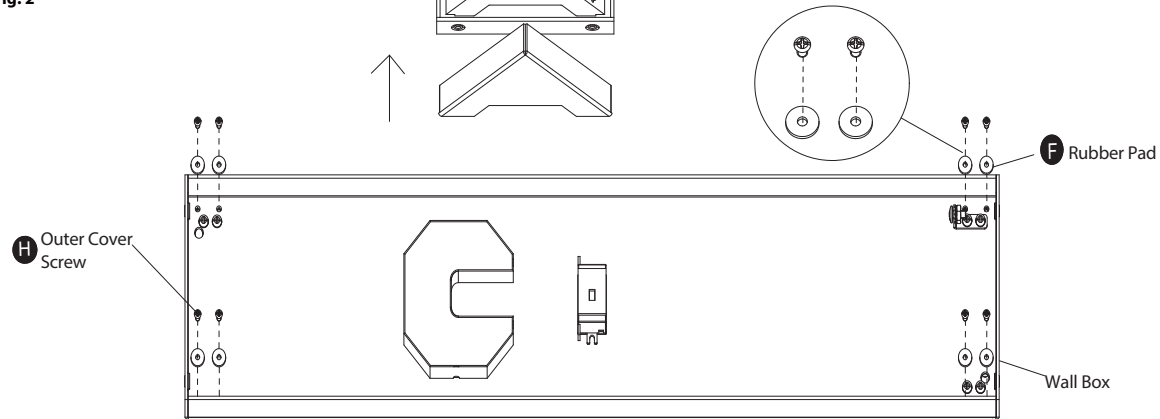


Fig. 2

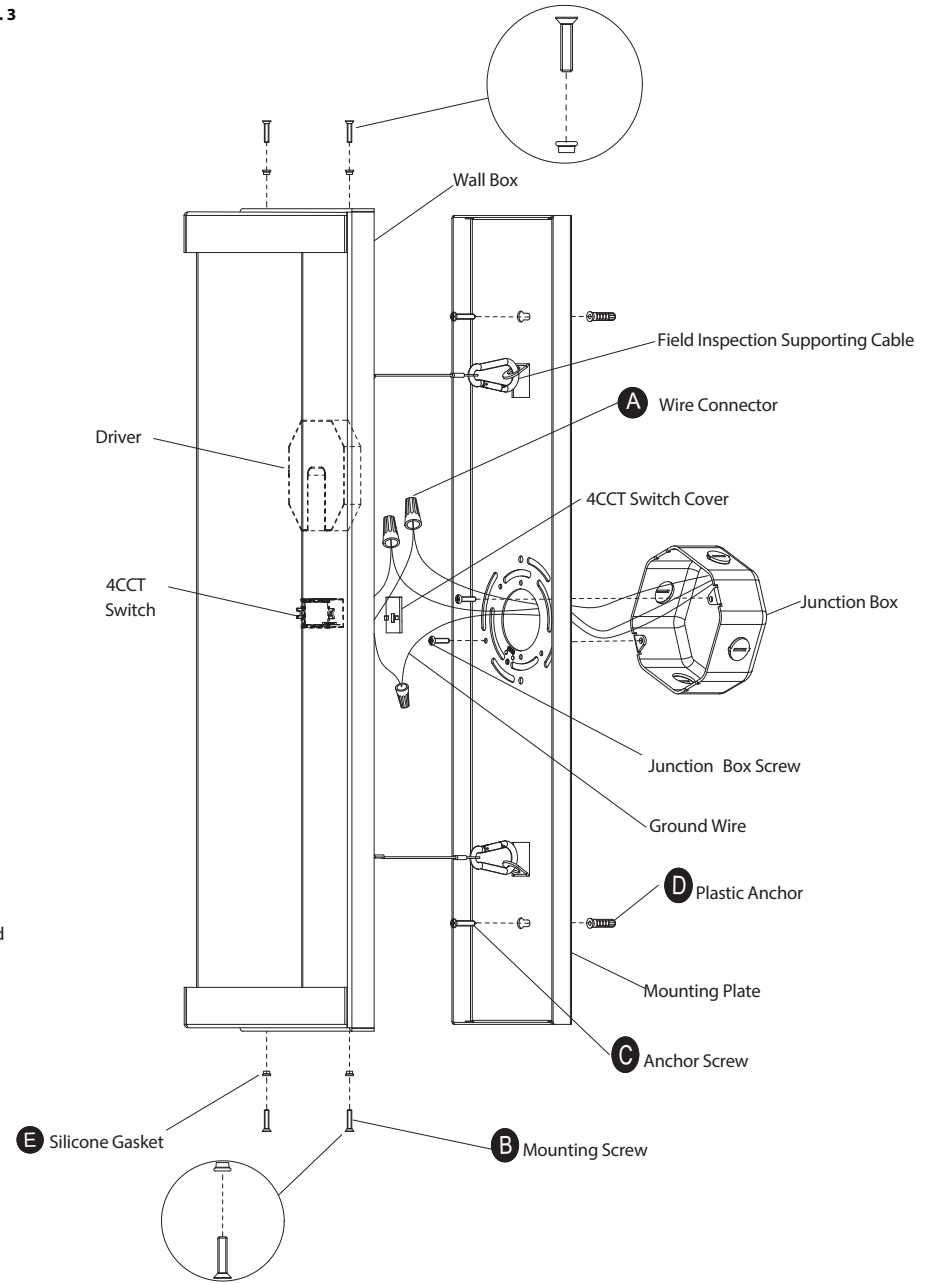


ASSEMBLY & INSTALLATION INSTRUCTIONS

Fixture
BWSW20624



Fig. 3



ASSEMBLY & INSTALLATION INSTRUCTIONS

Fixture
BWSW20624



PREPARATION

1. Shut off the power at the circuit breaker and remove existing fixture, including the crossbar.
2. Carefully unpack your new fixture and lay out all the parts in a clear area. Be careful not to lose any small parts necessary for installation.
3. Use gloves when handling trim, crystals, and glass components during installation.

MOUNTING PLATE AND INSTALL THE CRYSTAL (Fig. 1, Fig. 2, Fig. 3)

4. First, remove the mounting screws (B), silicone gasket (E) and mounting plate from the wall box. Second, take out 8 outer cover screws (H) and rubber pad (F). from the wall box then pull out 2 outer covers from both sides, and then remove 8 pressure plate screws (G). Put the 2 pressure plates in place (the pressure plates are distinguished by direction please don't get confused)

Finally, take the crystal (RPL-CRO-20624-01) out of the packaging box and push it in through the gaps on both sides. Then lock the pressure plate by pressure plate screws (G), cover the outer cover from both sides, and then lock it from the wall box with the outer cover screw (H) and rubber pad (F).

5. Set color temperature at this stage. The fixture can switch between four color temperatures (3000K, 3500K, 4000K, 5000K)

which can be adjusted to your preference using the 4CCT switch (Fig.5) mounted in the fixture.

Note: (i) The switch comes with a detachable switch cover, remove the switch cover prior to adjusting the color temperature, reattach the switch cover after adjustment is made.

(ii) Fixture must be powered off to adjust the CCT setting, after each CCT adjustment cycle power on, off then on to show new CCT setting.

6. Drill holes in the wall aligned with the key holes located in the mounting plate. Insert the plastic anchors (D).
7. Secure the mounting plate to the junction box using the original junction box screws. Fasten the mounting plate to the wall with the plastic anchors using the anchor screws (C) provided.
 - (i) It is recommended to use only original junction box screws or replacements provided by junction box manufacturer.
 - (ii) The side of the mounting plate marked "GND" must face out towards the installer.

WIRING FIXTURE (Fig. 4, Fig. 5)

8. Attach the wall box to the mounting plate using a safety cable as shown (Fig. 3). This secures the fixture and aids in wiring.
9. Connect the driver's input wires to the junction box wires as shown in Fig. 4 using wire connectors (A) provided. Ensure wire connectors are secured. Connect the fixture's ground wire to the ground in the junction box; this will be either a green wire or a bare copper wire. After fixture is wired to house wires, tuck wires carefully inside the junction box.

COMPLETING THE INSTALLATION (Fig. 3, Fig. 6)

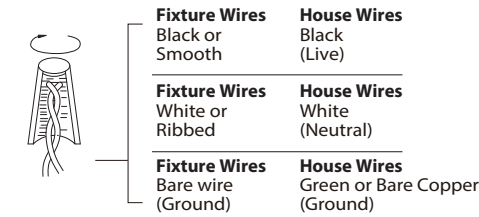
10. Secure the fixture to the mounting plate using the mounting screw (B) and the silicone gasket (E).
11. To prevent moisture from entering the outlet box and causing a short, use clear caulking (i.e. indoor/outdoor silicone sealant) to outline the outside of fixture mounting plate where it meets the wall. Leave a space at the bottom to allow moisture to escape (Fig.6).

ASSEMBLY & INSTALLATION INSTRUCTIONS

Fixture
BWSW20624



Fig. 4 Wiring



Mounting Plate Dimensions

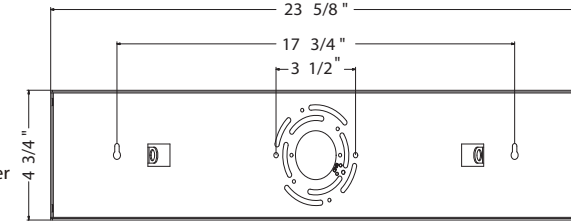


Fig. 5 Switch

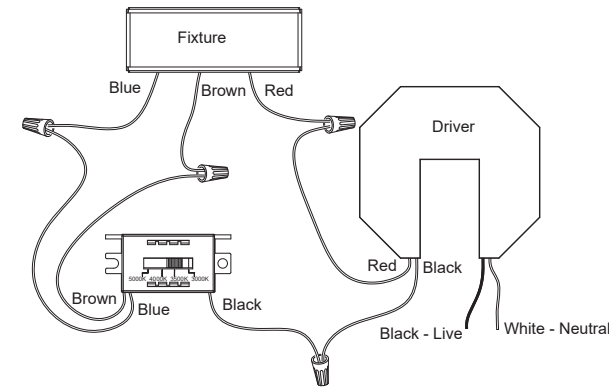
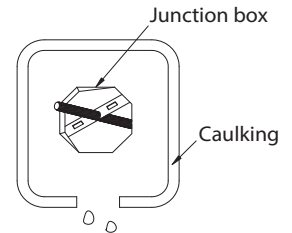


Fig.6 Sealing



HARDWARE

A



Wire Connector
Qty: 3pcs+1 Extra

B



Mounting Screw
Qty: 1 Extra

C



Anchor Screw
Qty: 2pcs+1 Extra

D



Plastic Anchor
Qty: 2pcs+1 Extra

E



Silicone Gasket
Qty: 1 Extra

F



Rubber Pad
Qty: 2 Extra

G



Pressure Plate Screw
Qty: 2 Extra

H



Outer Cover Screw
Qty: 2 Extra