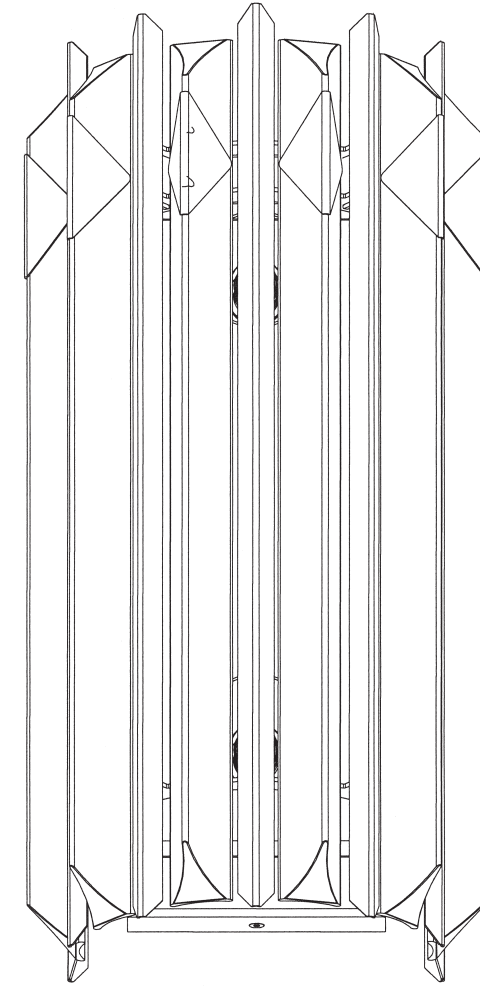


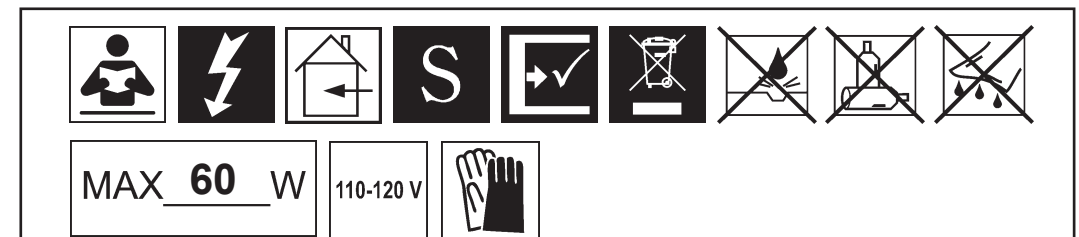
SCHONBEK
*Signature*TM

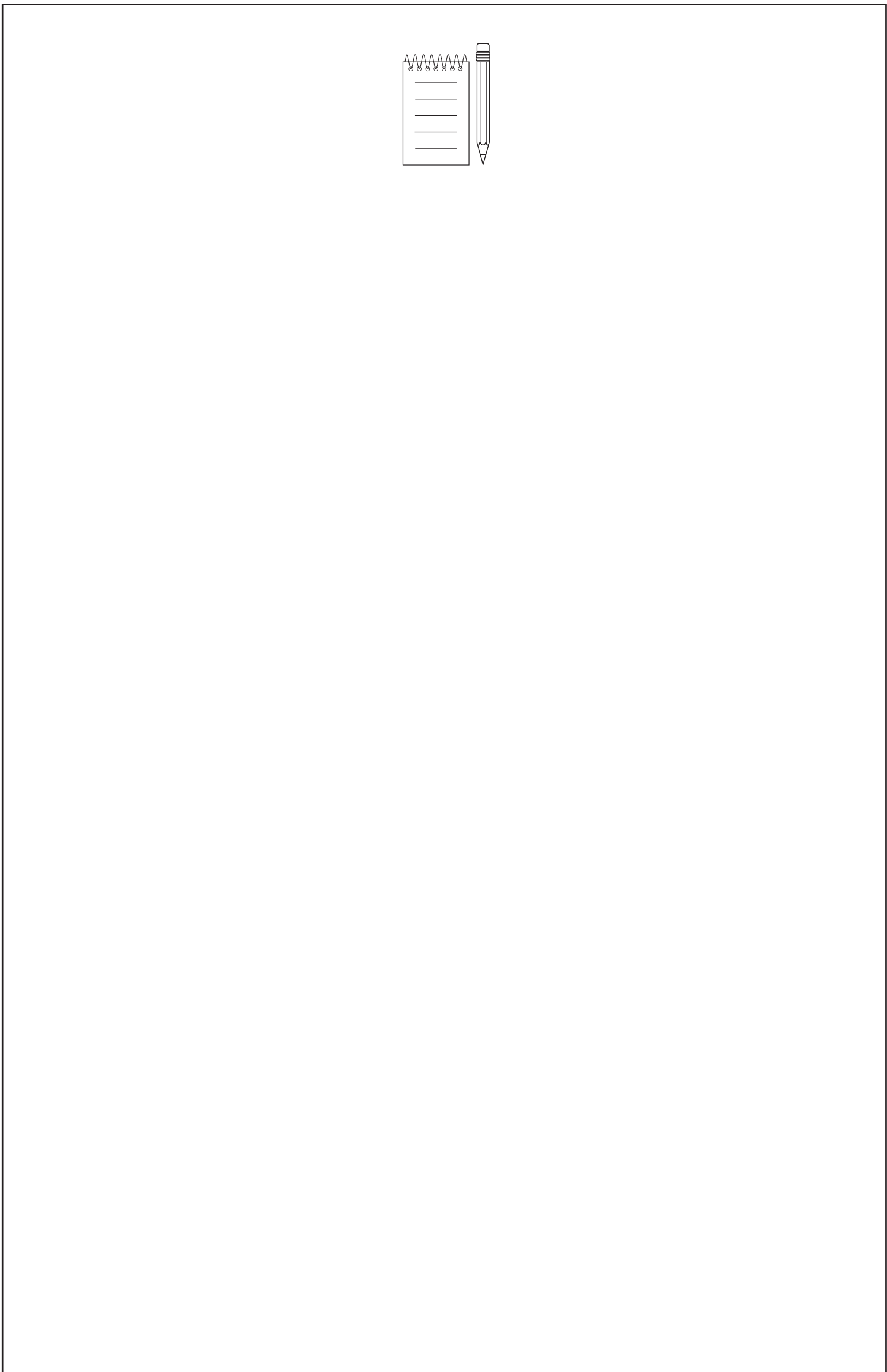
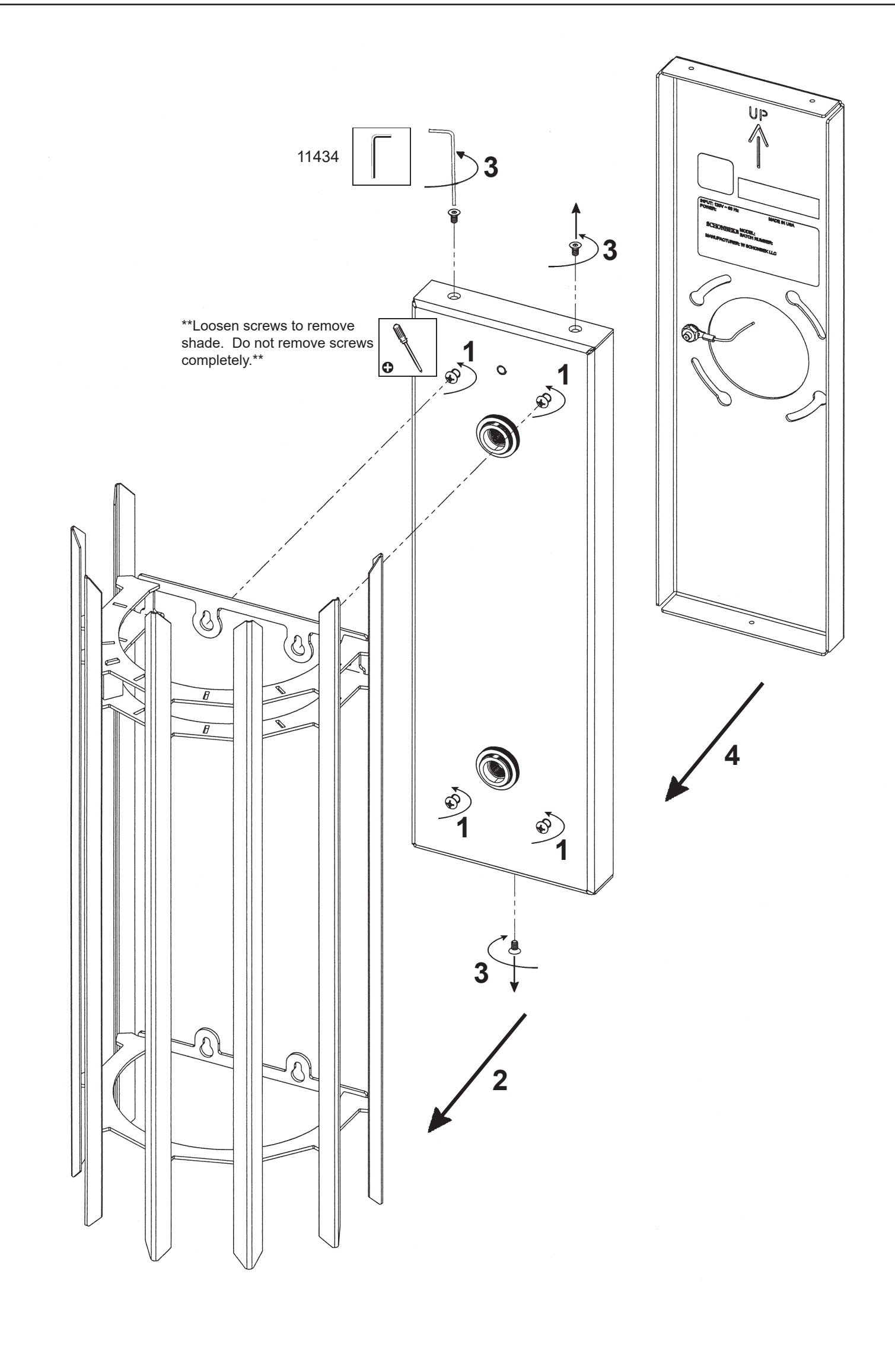
TERINA
S39602- __ __ O

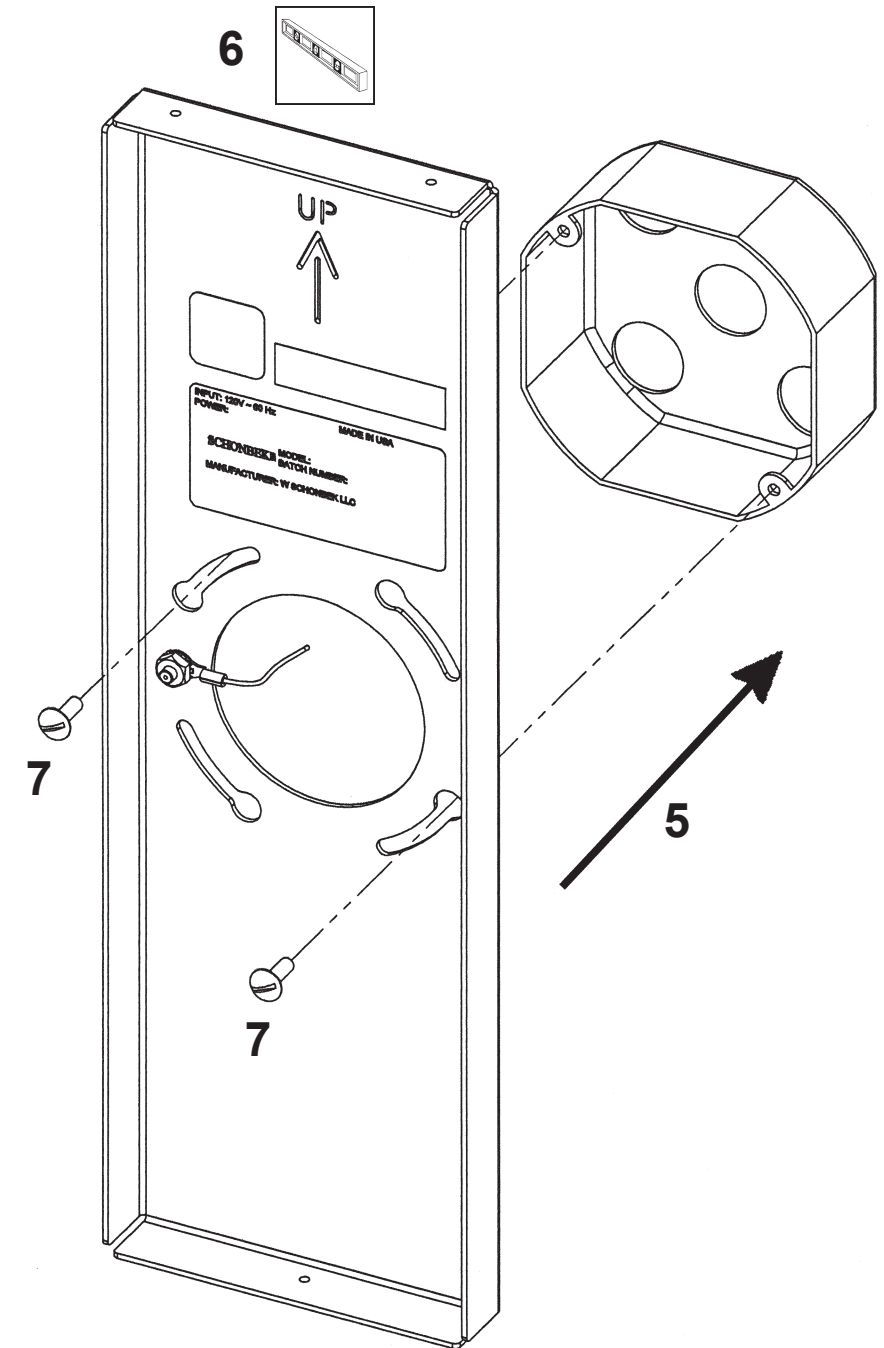
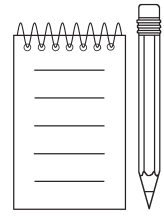


THIS DESIGN IS THE PROPRIETARY
TRADE DRESS/TRADEMARK OF
W SCHONBEK LLC.

SCHONBEK
*Signature*TM







8 **WARNING:**

Electrical Danger **Turn Power Off**

All electrical components must be installed by a licensed electrician in accordance with the National Electric Code and the appropriate local electrical codes.

You will need 2 - G16-1/2
60 Watts Max

Install bulbs and be sure to test fixture BEFORE trimming.

After installing shade, tighten screws completely

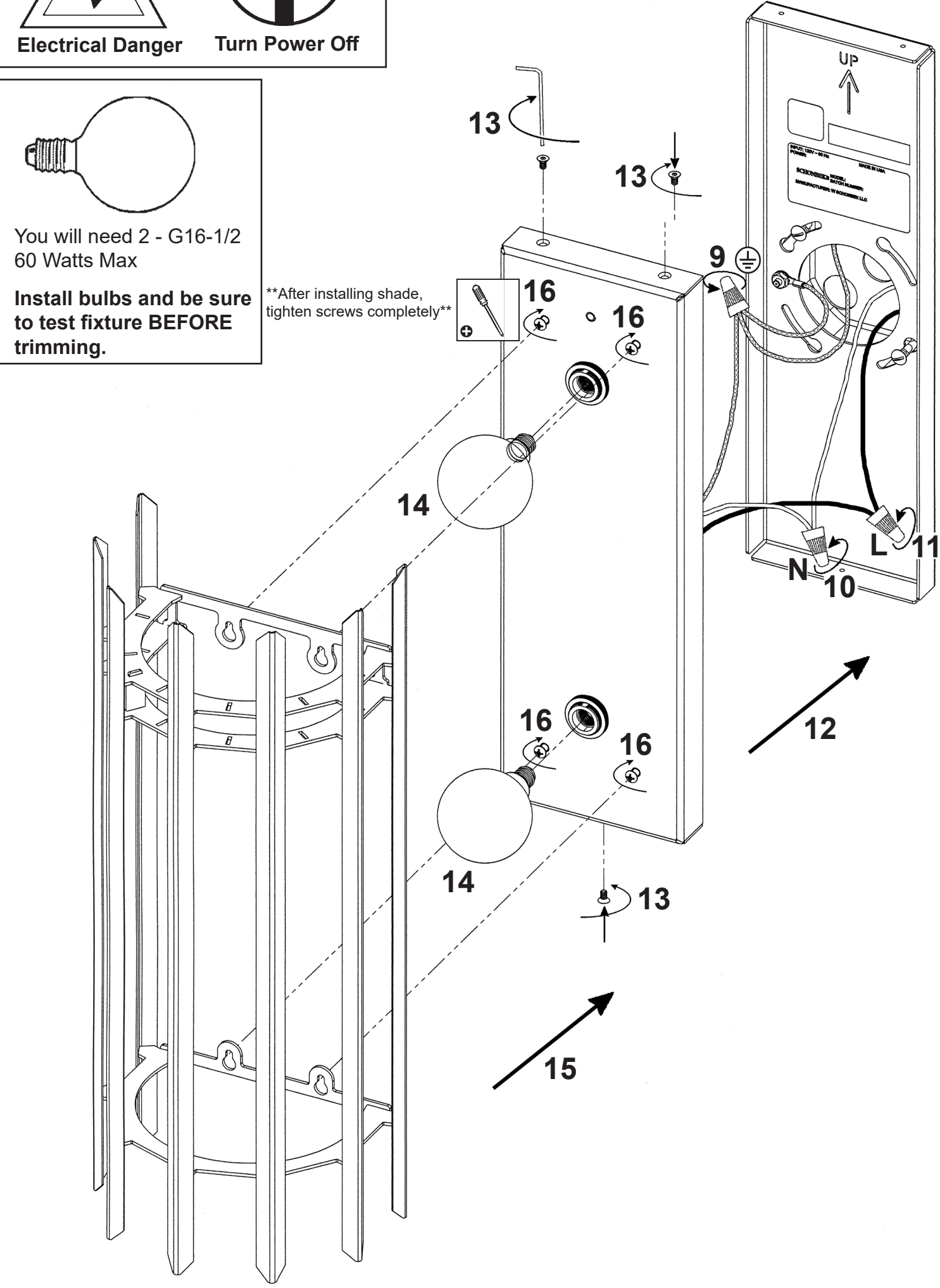
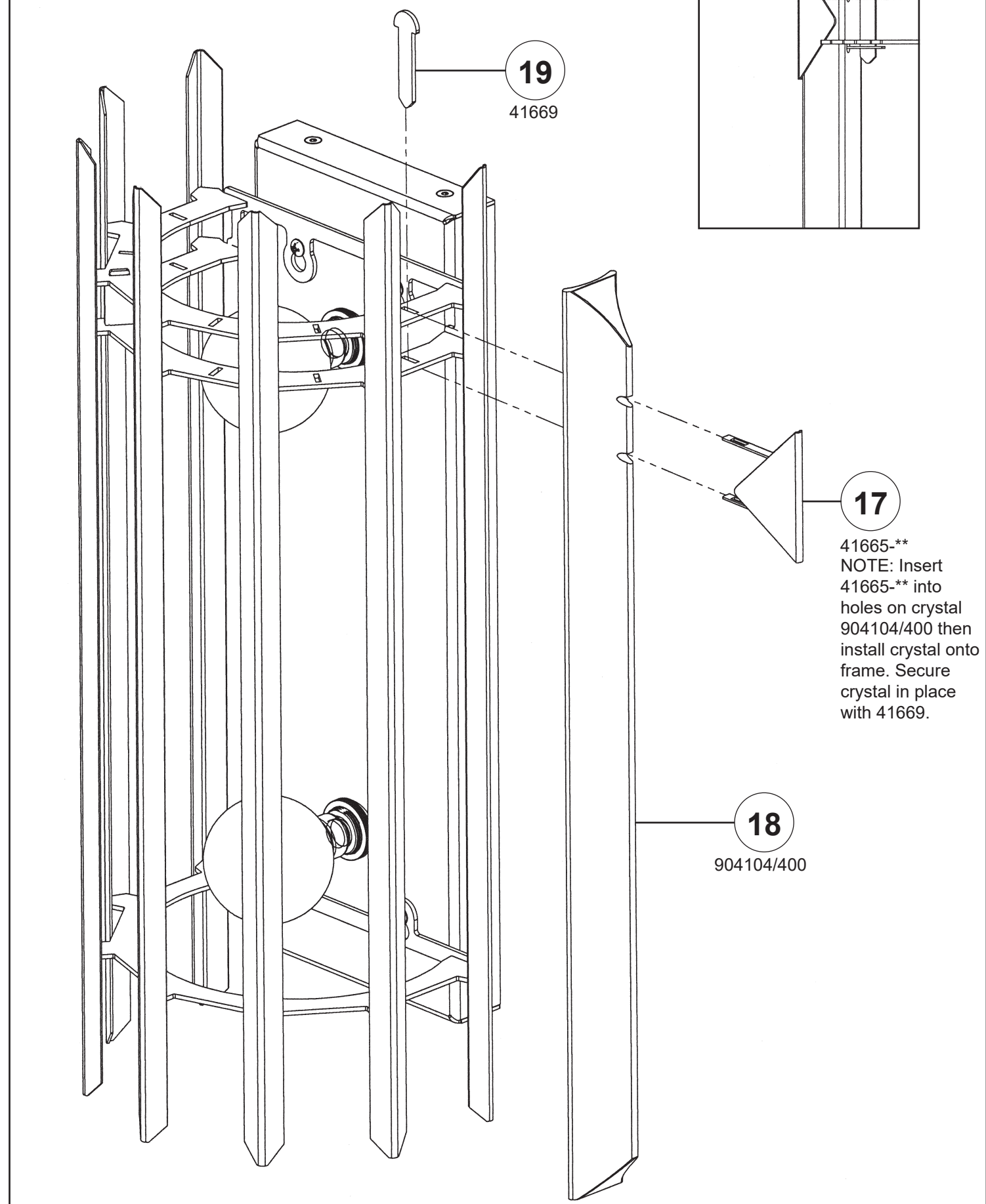
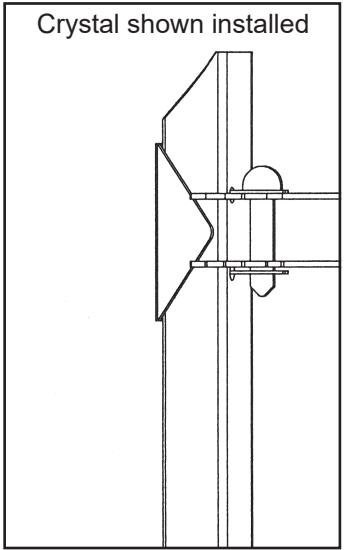


FIGURE 1



41665-**
NOTE: Insert 41665-** into holes on crystal 904104/400 then install crystal onto frame. Secure crystal in place with 41669.

18
904104/400