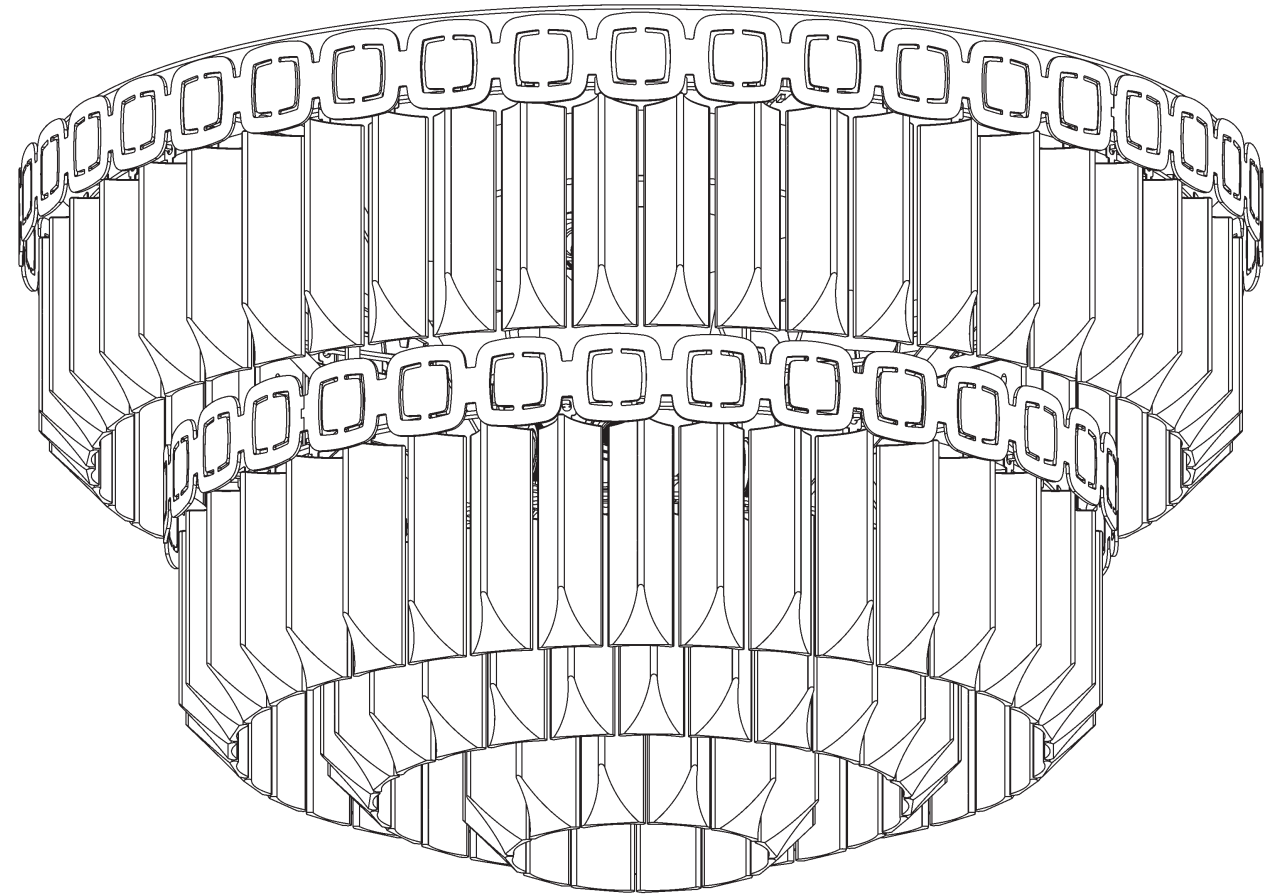


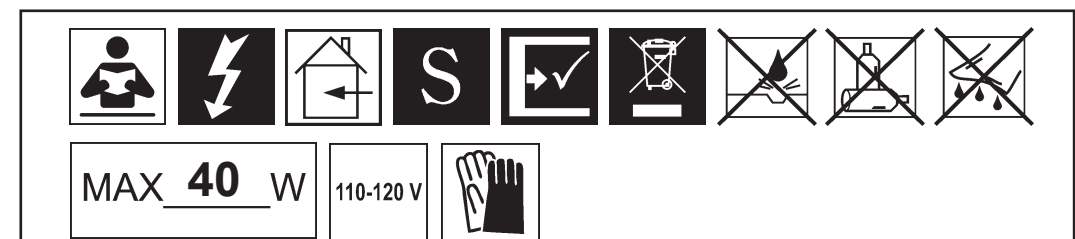
ALINA
S47612- __ __ 0



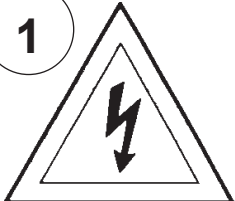
SCHONBEK
*Signature*TM

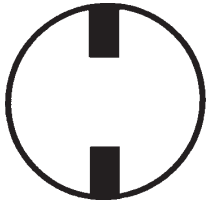
THIS DESIGN IS THE PROPRIETARY
TRADE DRESS/TRADemark OF
W SCHONBEK LLC.

SCHONBEK
*Signature*TM

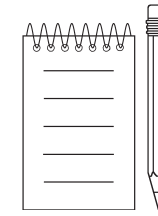
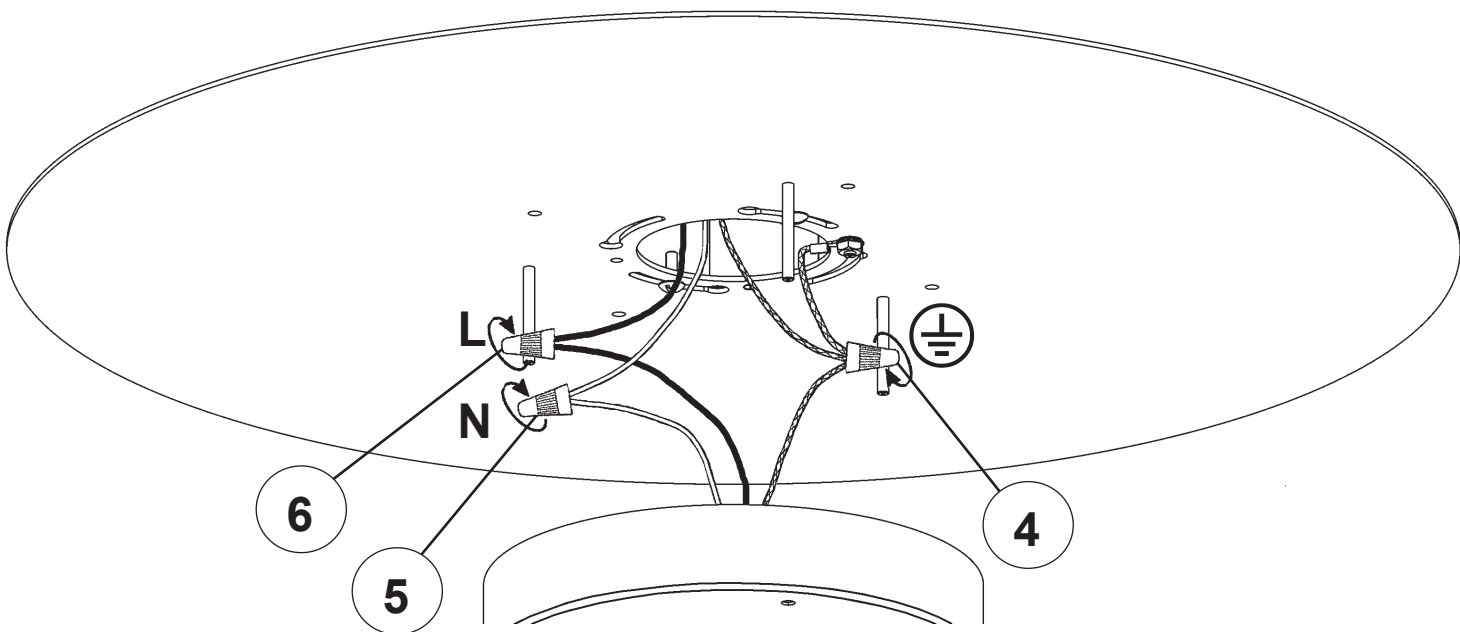
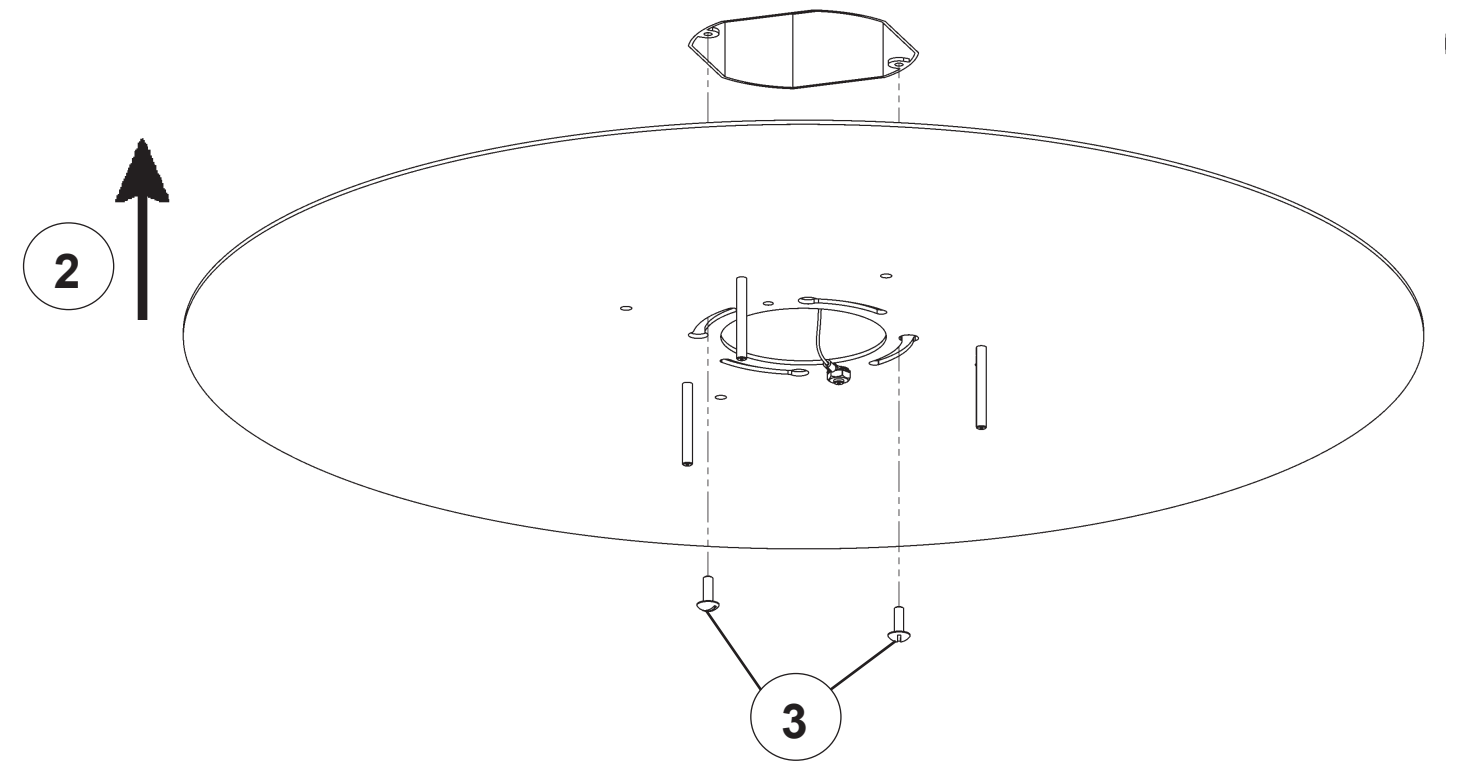


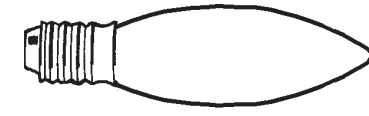
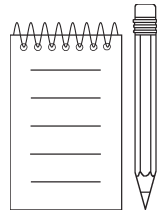
WARNING:

1  **Electrical Danger**

 **Turn Power Off**

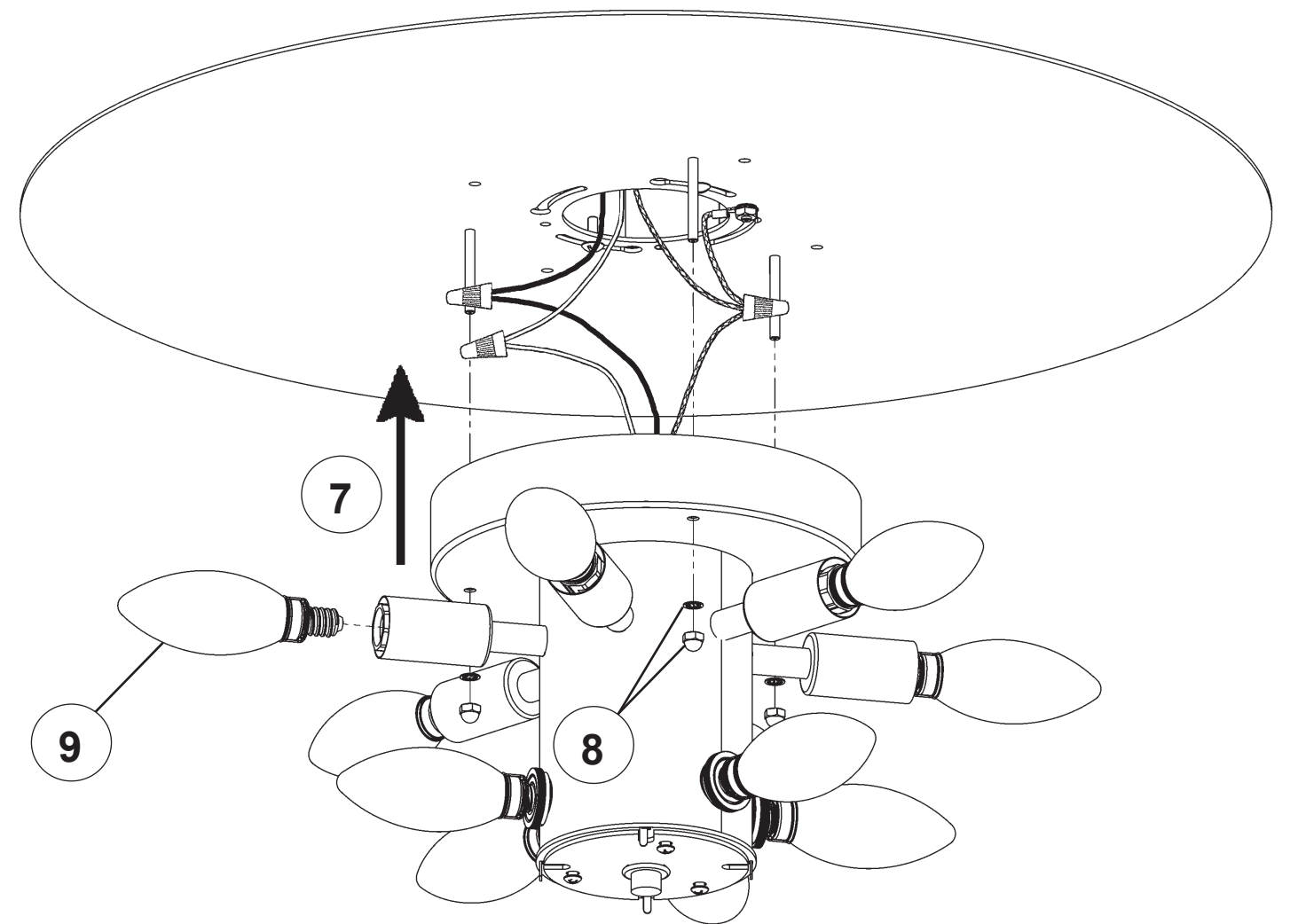
All electrical components must be installed by a licensed electrician in accordance with the National Electric Code and the appropriate local electrical codes.





You will need 12 - B10
25 Watts Recommended
40 Watts Max

**Install bulbs and be sure
to test fixture BEFORE
trimming.**



SEE FIGURE 1

10

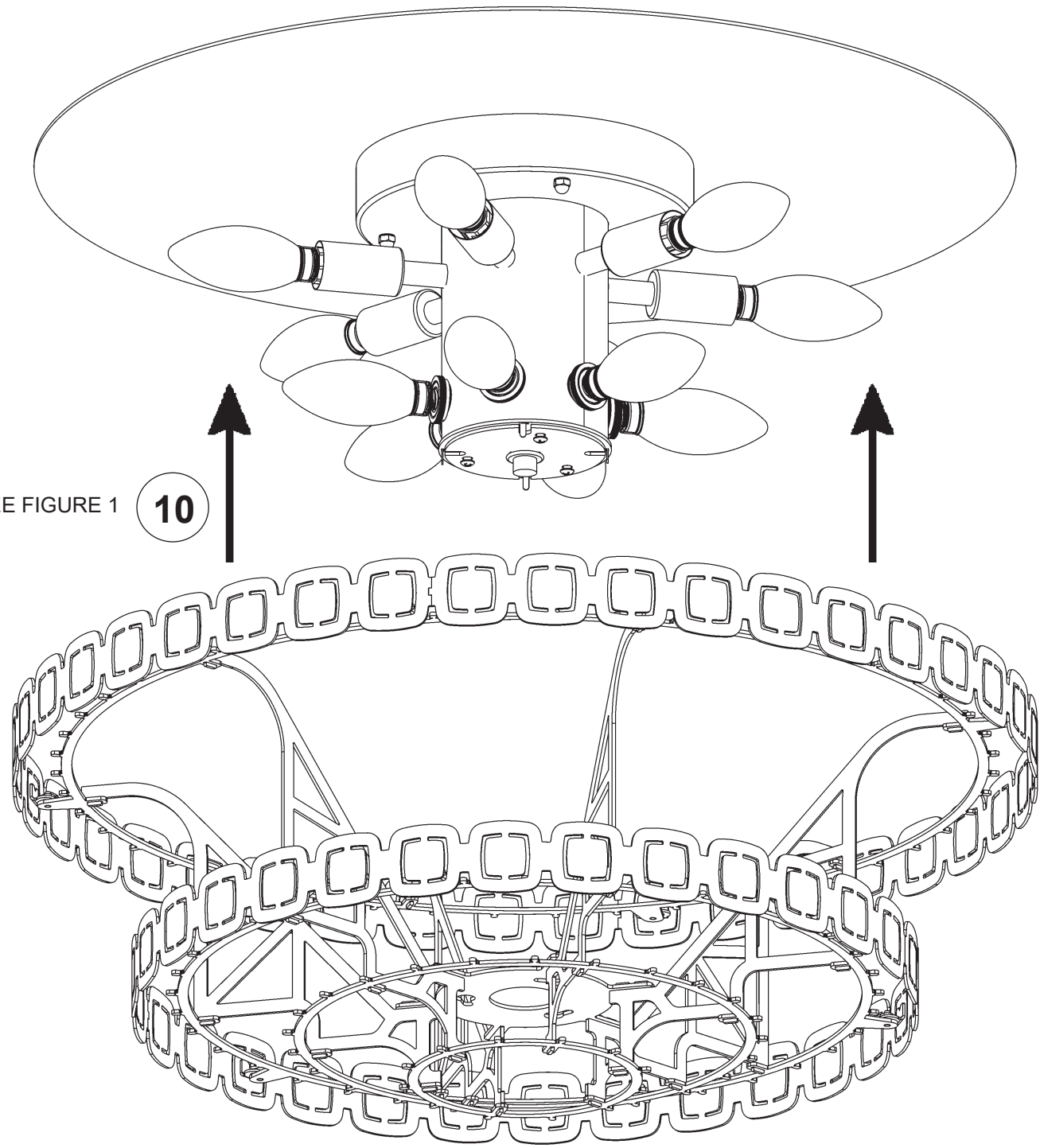
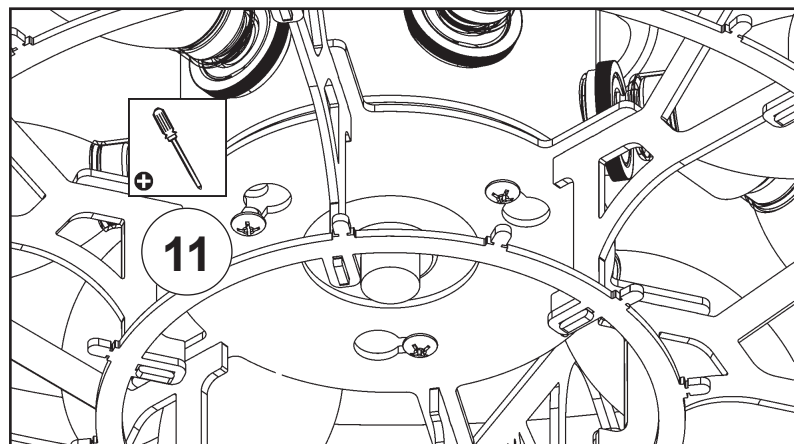


FIGURE 1



11

15
904105/100
QTY. 48

14
904105/100
QTY. 36

13
904105/100
QTY. 24

12
904105/100
QTY. 12
SEE FIGURE 2

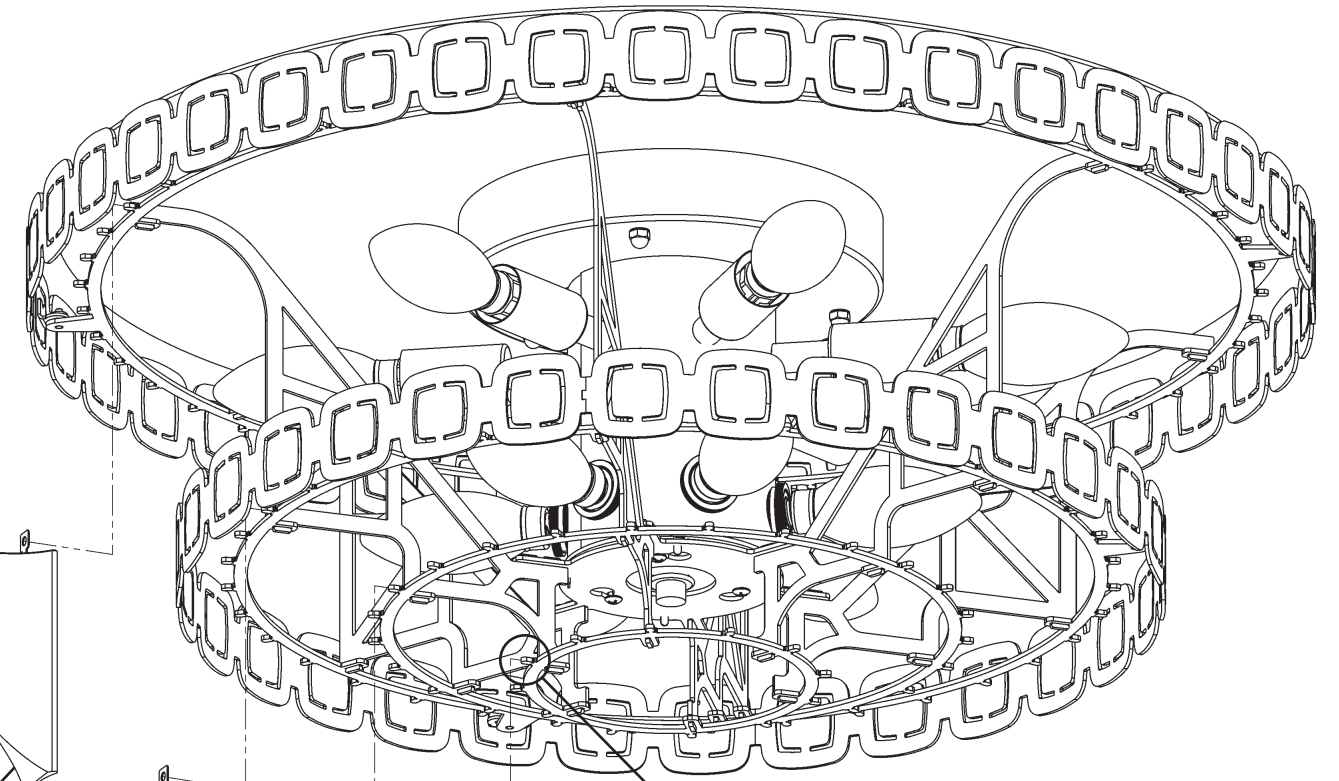


FIGURE 2

