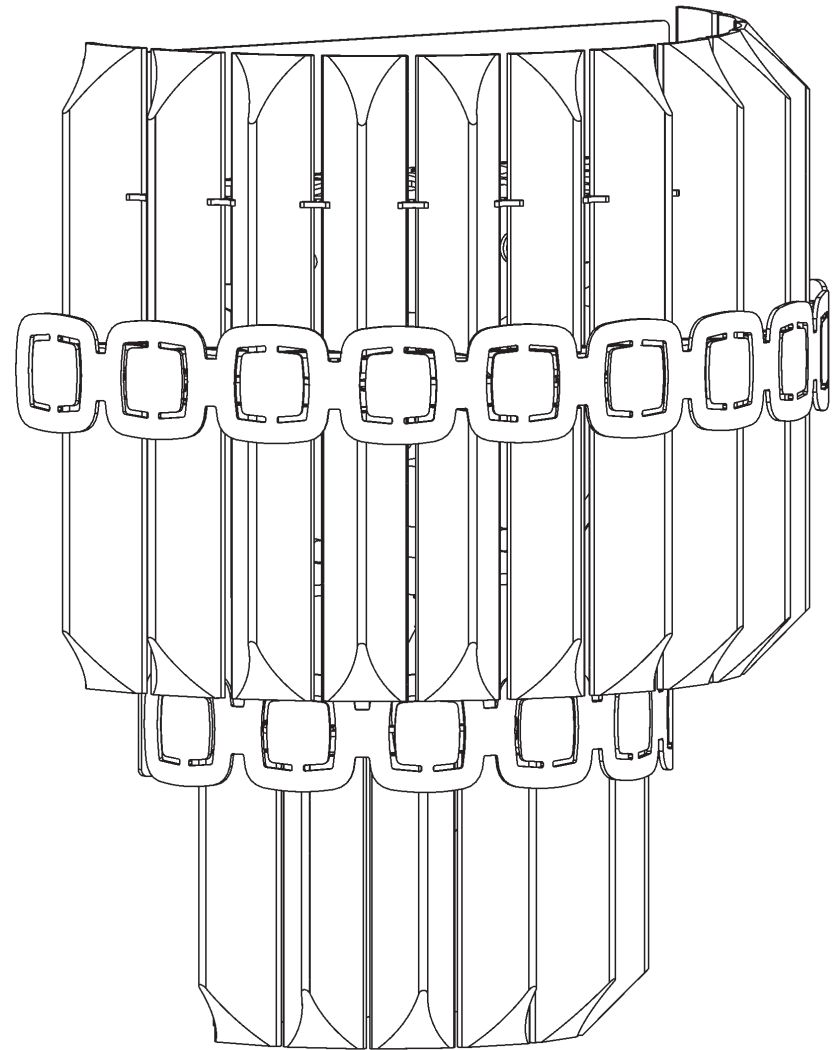


ALINA S47613-__ __O



THIS DESIGN IS THE PROPRIETARY TRADE DRESS/TRADEMARK OF W SCHONBEK LLC.

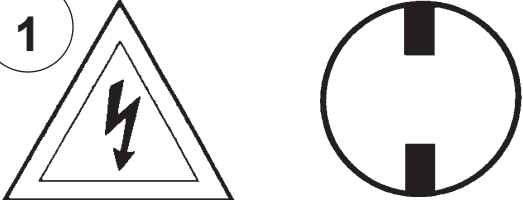
SCHONBEK Signature™

SCHONBEK Signature™

MAX 40 W		110-120 V						

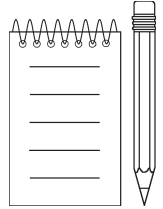
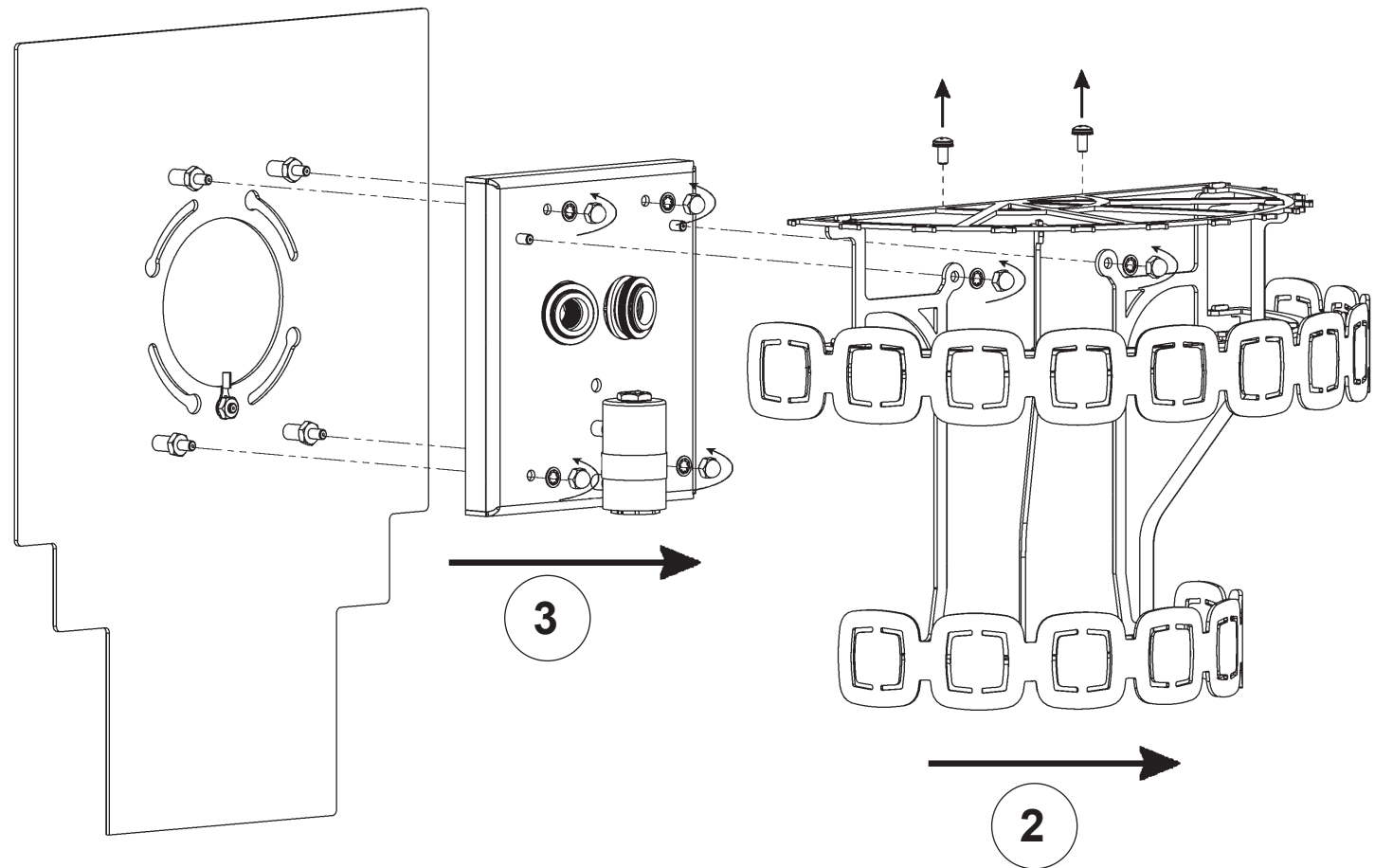
1

WARNING:



Electrical Danger **Turn Power Off**

All electrical components must be installed by a licensed electrician in accordance with the National Electric Code and the appropriate local electrical codes.



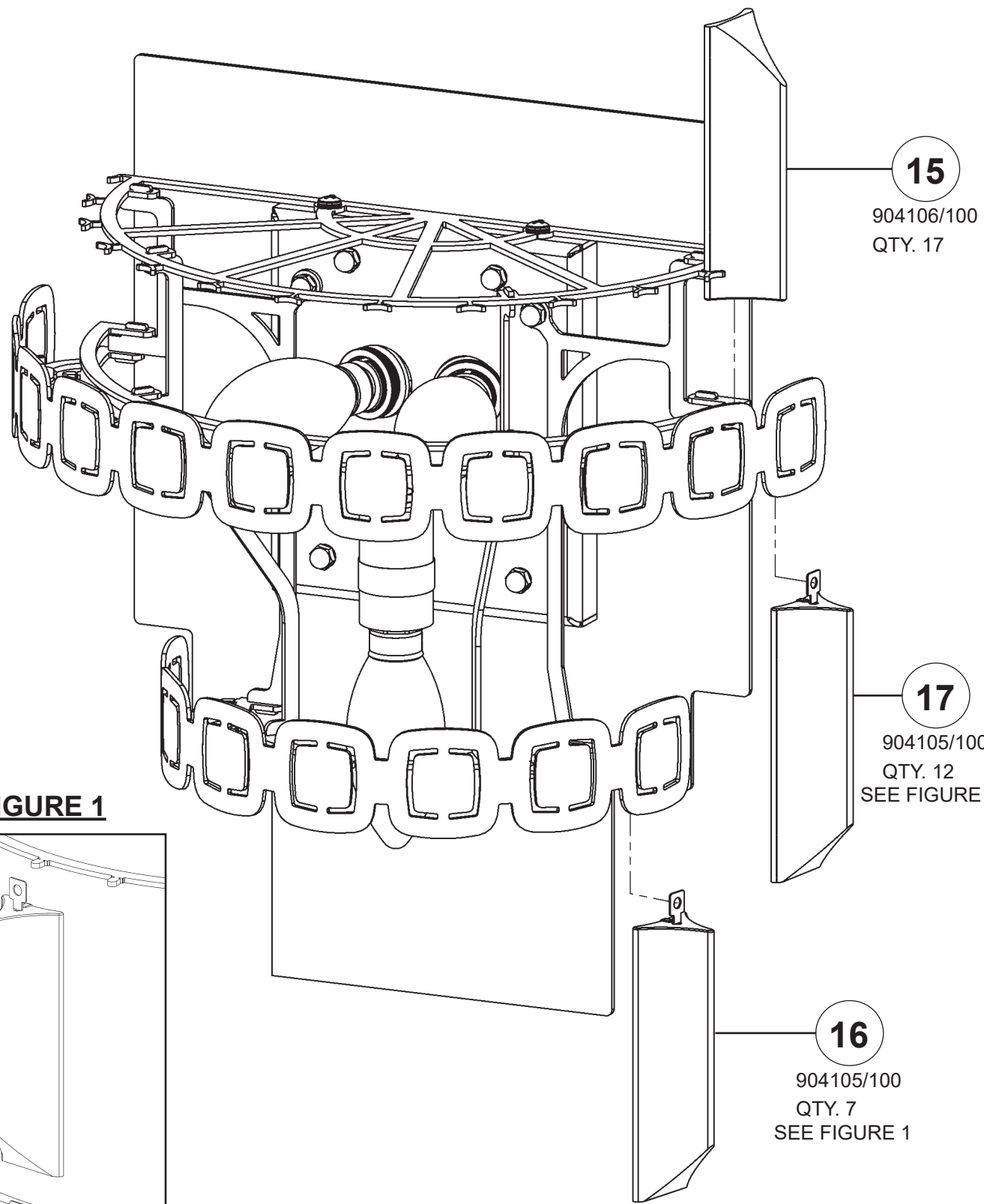
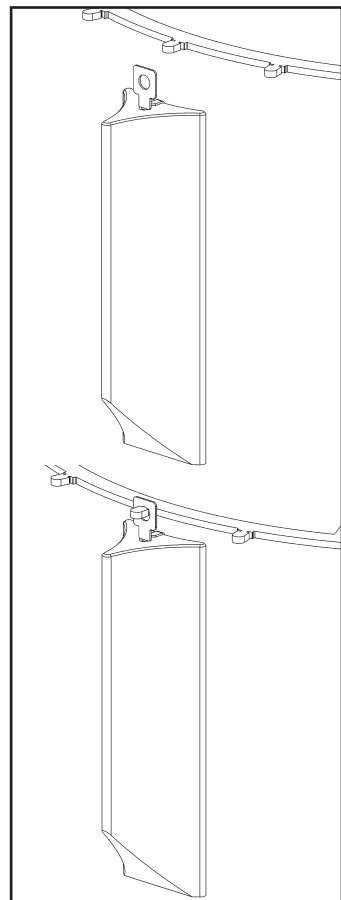
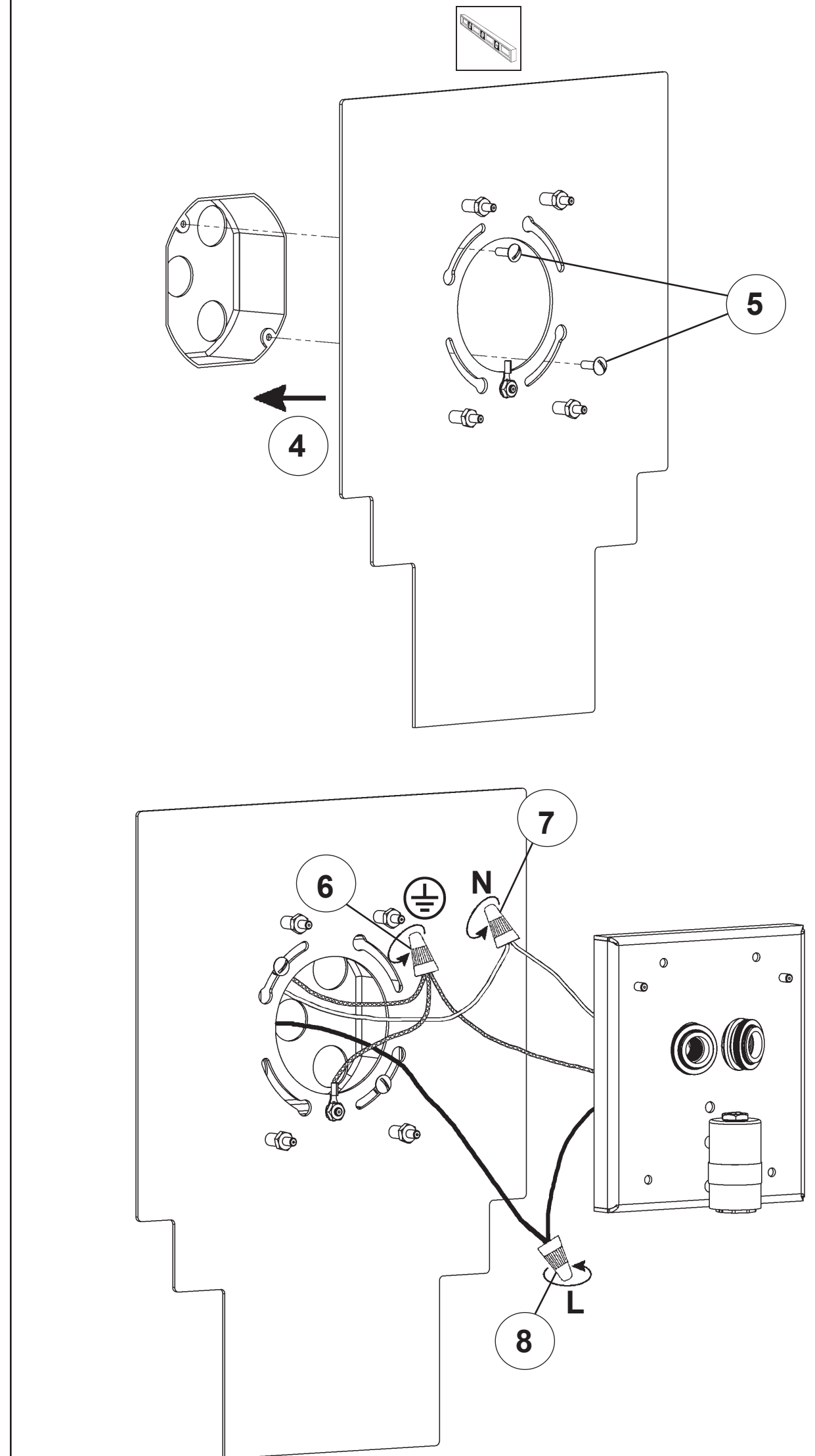
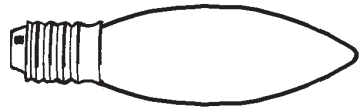


FIGURE 1



NOTE: If crystal does not hang properly, take crystal off and gently adjust hanger.





You will need 3 - B10
25 Watts Recommended
40 Watts Max

**Install bulbs and be sure
to test fixture BEFORE
trimming.**

