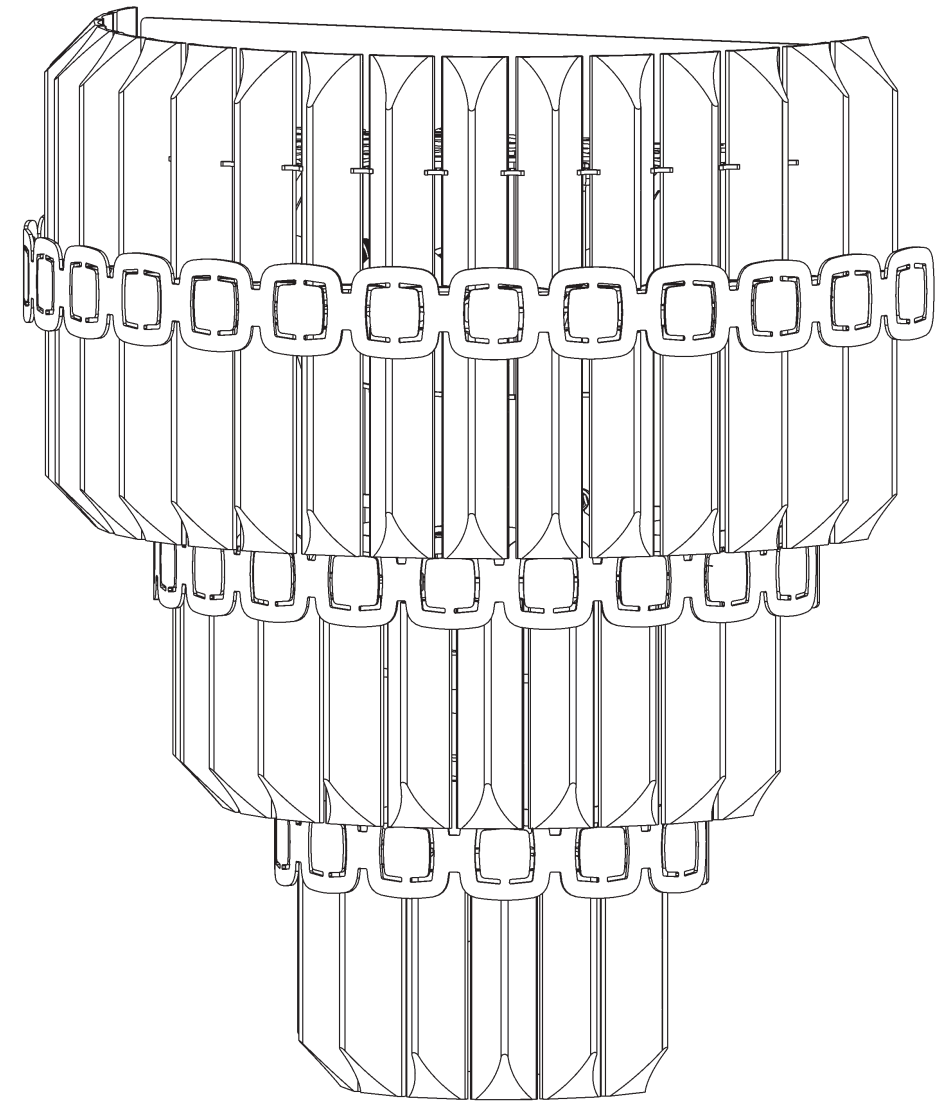


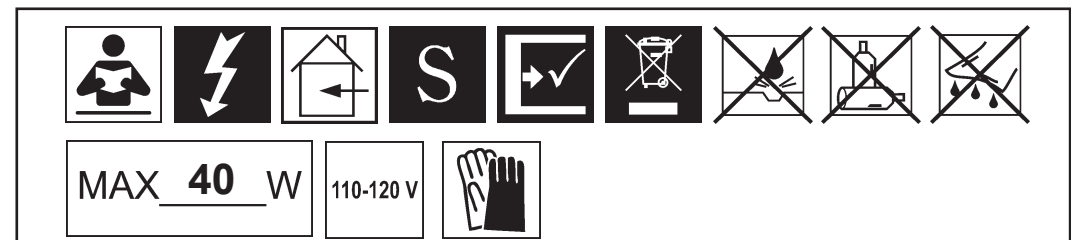
SCHONBEK
*Signature*TM

ALINA S47619-__ __O



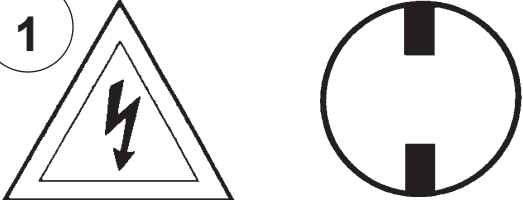
THIS DESIGN IS THE PROPRIETARY
TRADE DRESS/TRADEMARK OF
W SCHONBEK LLC.

SCHONBEK
*Signature*TM



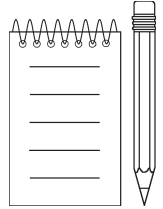
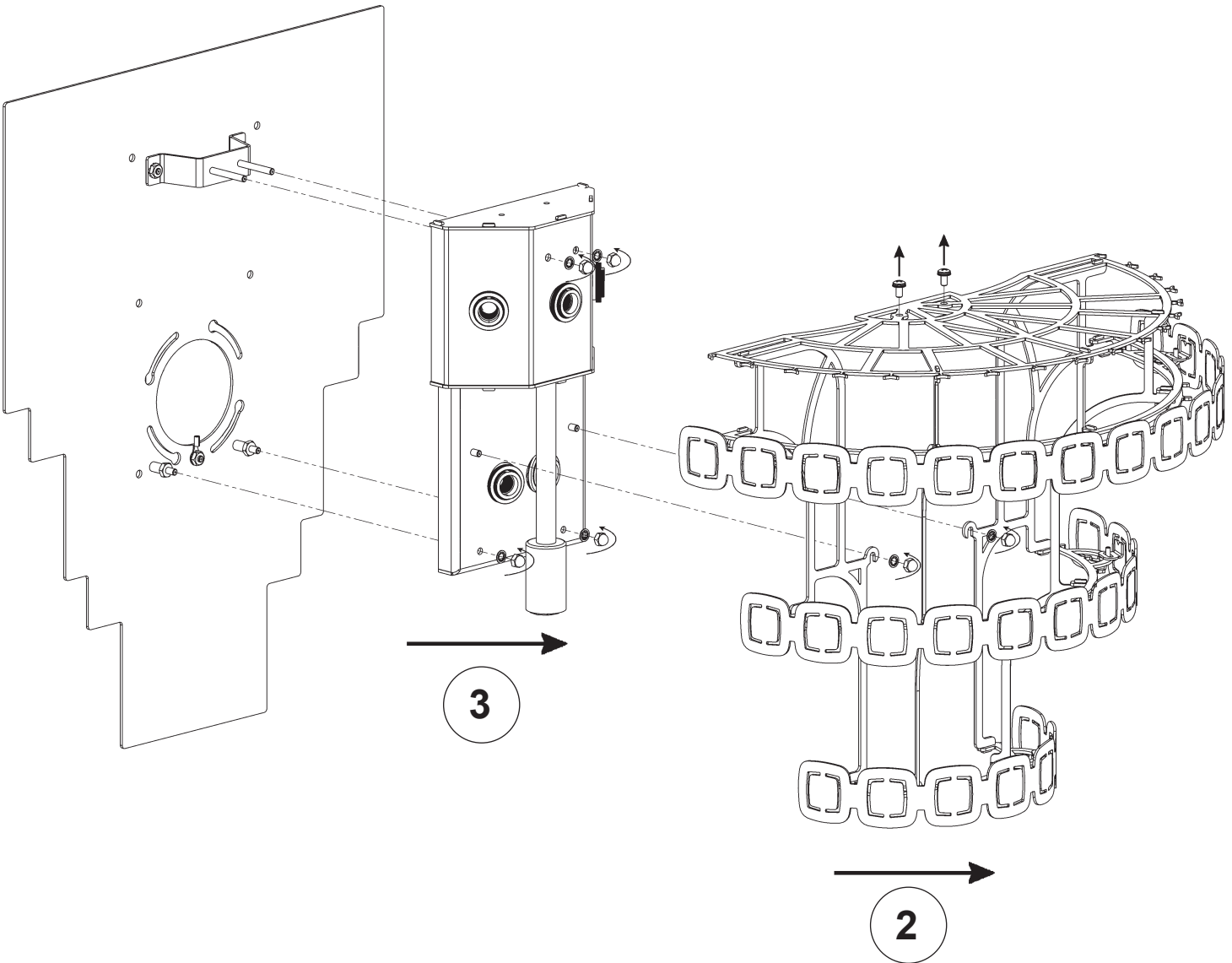
1

WARNING:



Electrical Danger **Turn Power Off**

All electrical components must be installed by a licensed electrician in accordance with the National Electric Code and the appropriate local electrical codes.



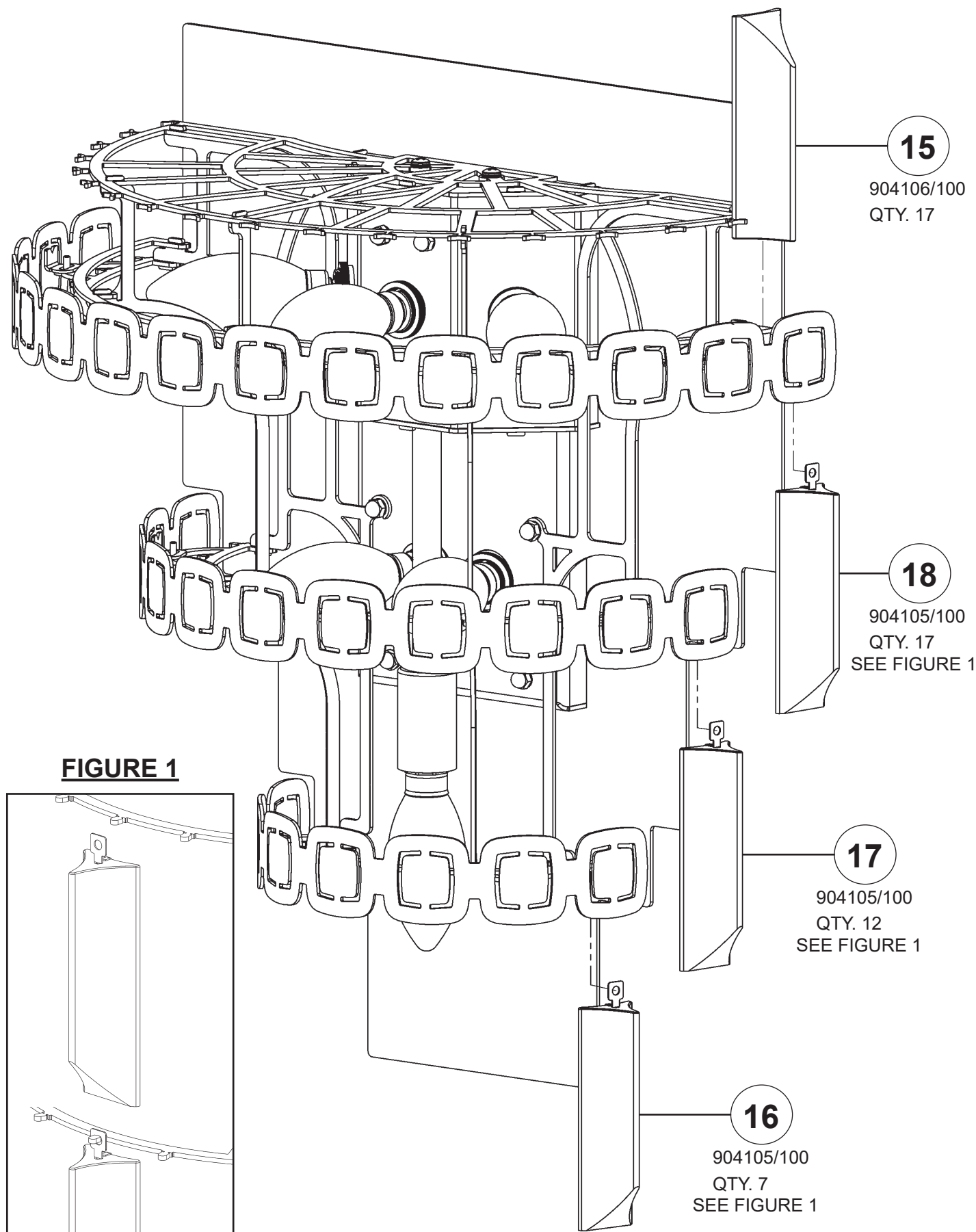
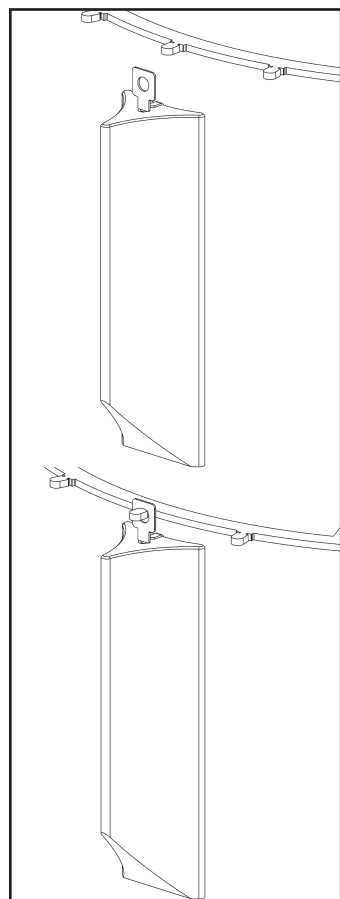
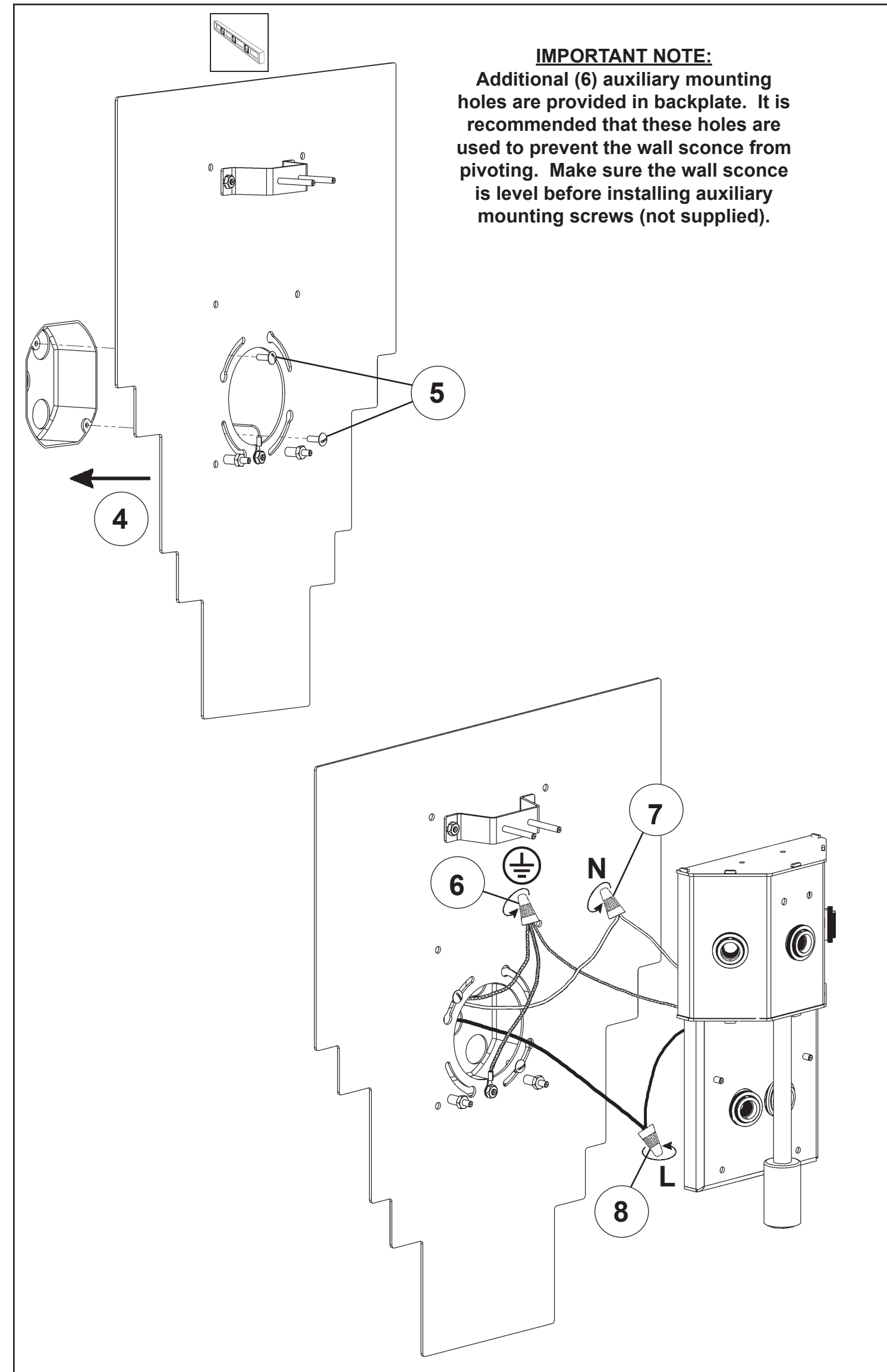


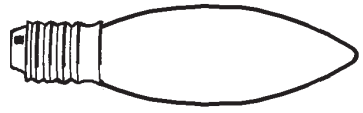
FIGURE 1



NOTE: If crystal does not hang properly, take crystal off and gently adjust hanger.



IMPORTANT NOTE:
Additional (6) auxiliary mounting holes are provided in backplate. It is recommended that these holes are used to prevent the wall sconce from pivoting. Make sure the wall sconce is level before installing auxiliary mounting screws (not supplied).



You will need 6 - B10
25 Watts Recommended
40 Watts Max

Install bulbs and be sure
to test fixture BEFORE
trimming.

