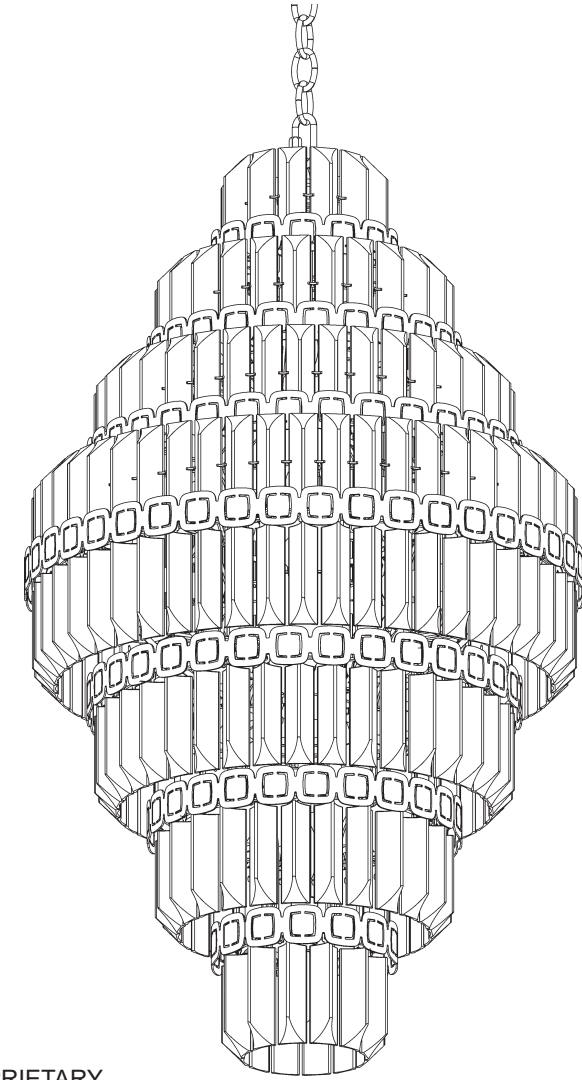


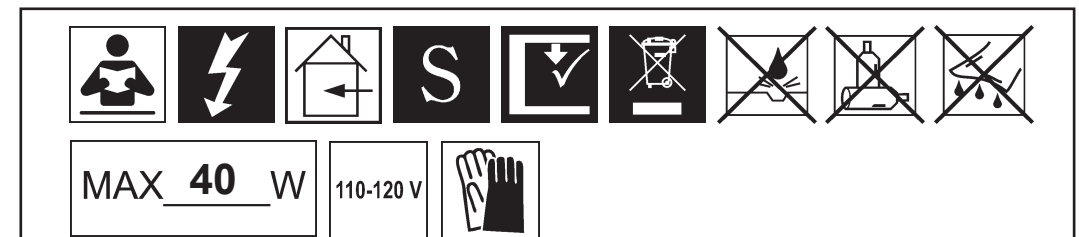
SCHONBEK
*Signature*TM

ALINA
S47622-__ __O



THIS DESIGN IS THE PROPRIETARY
TRADE DRESS/TRADEMARK OF
W SCHONBEK LLC.

SCHONBEK
*Signature*TM



1 **WARNING:**

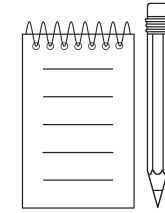
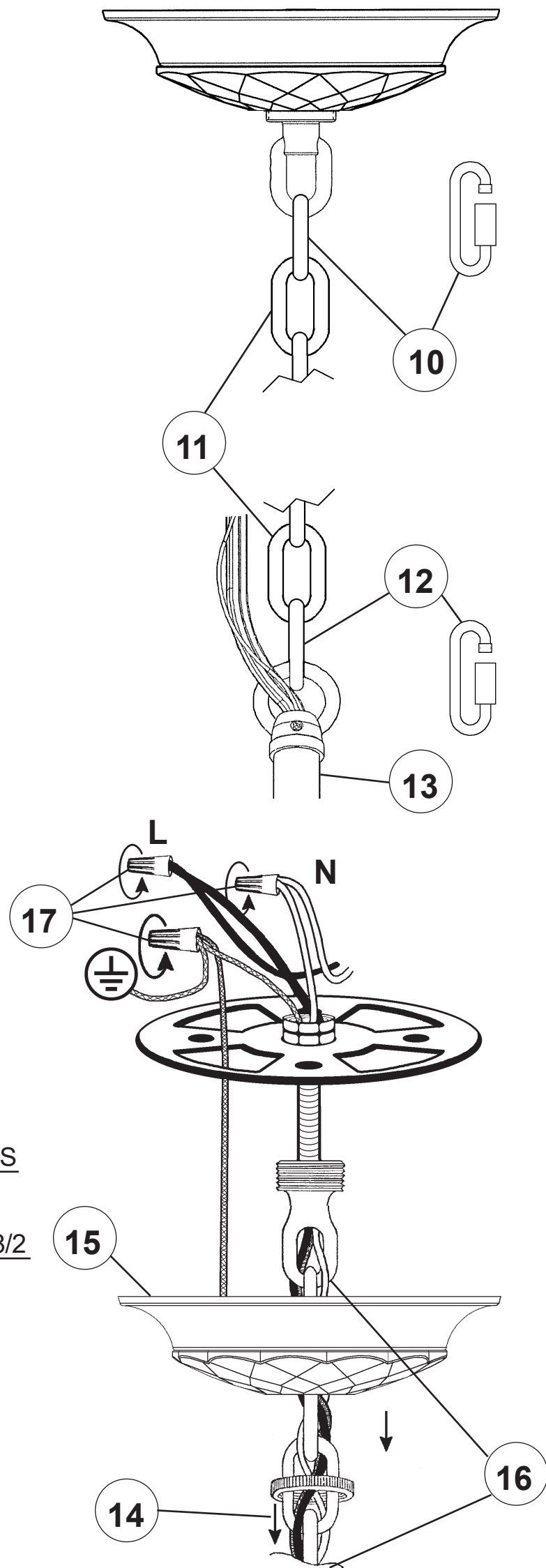
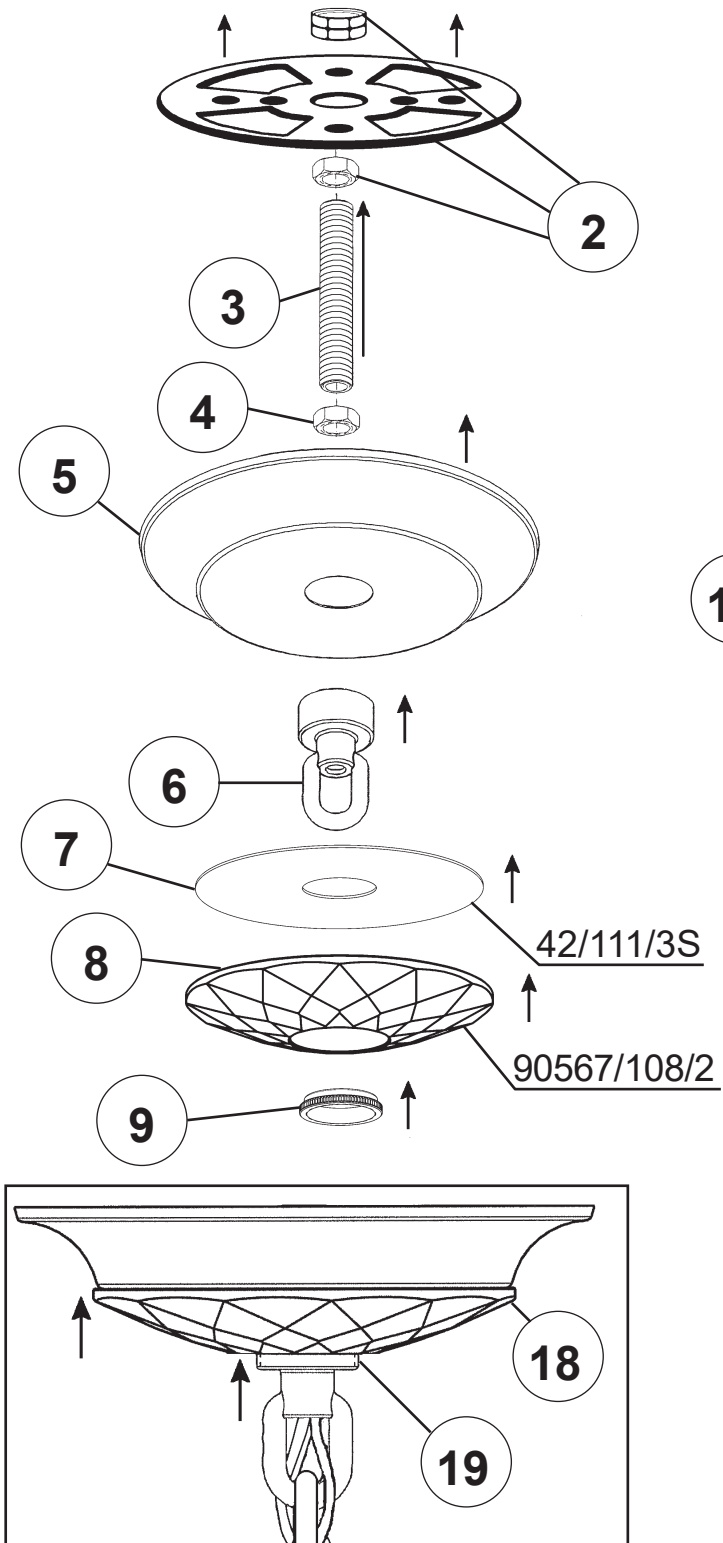
Electrical Danger Turn Power Off

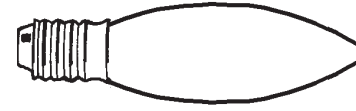
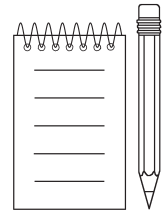
All electrical components must be installed by a licensed electrician in accordance with the National Electric Code and the appropriate local electrical codes.

WARNING: MOUNTING CONFIGURATION AND HARDWARE MUST HOLD 4X THE WEIGHT OF THE FIXTURE. MOUNTING DESIGN AND FIXTURE INSTALLATION SHOULD BE CONDUCTED BY A QUALIFIED LICENSED PROFESSIONAL.

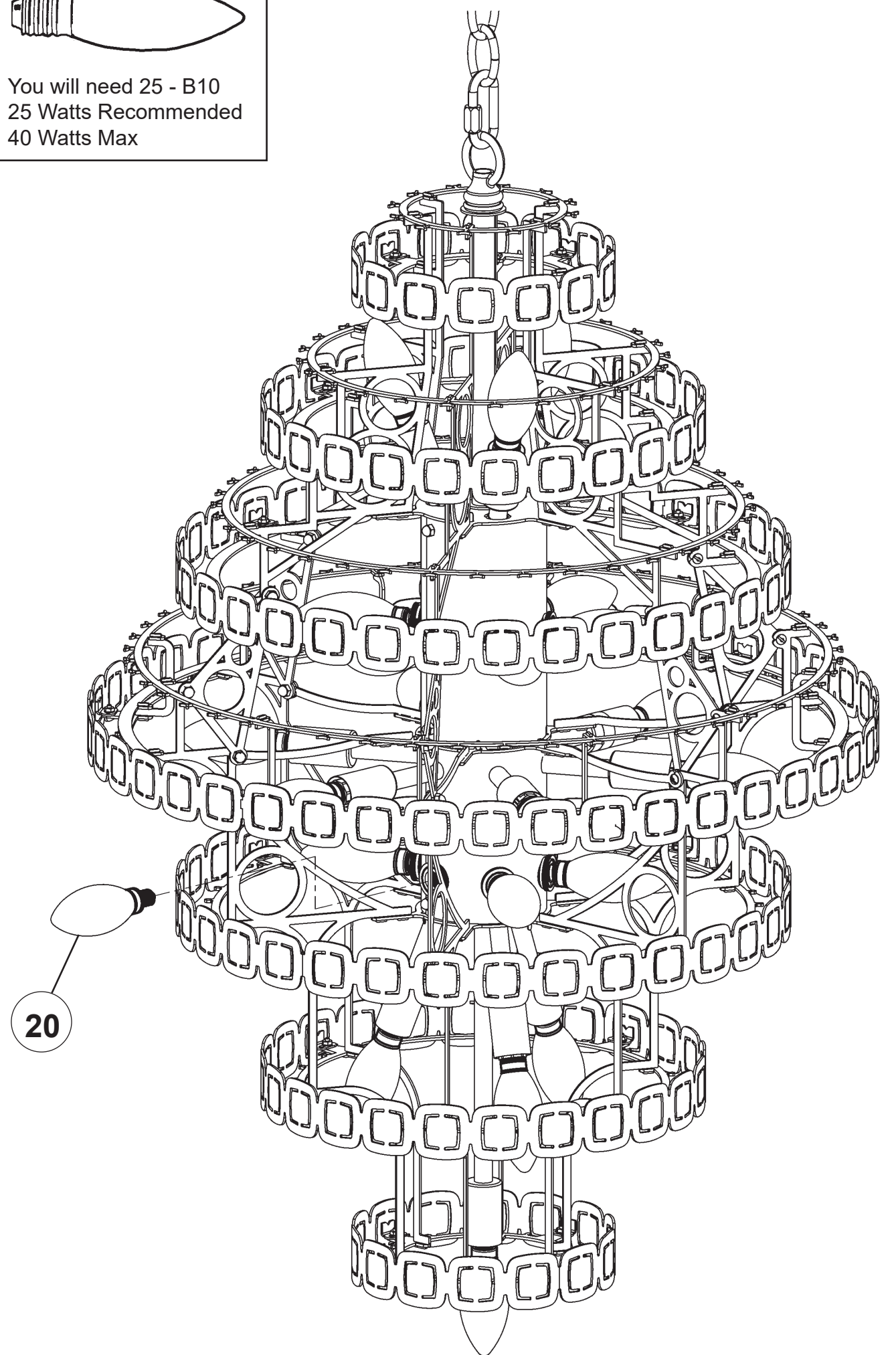
NOTE: INSTALLER IS SOLELY RESPONSIBLE FOR PROPER MOUNTING!

WARNING: THIS LUMINAIRE MUST BE MOUNTED OR SUPPORTED INDEPENDENTLY OF AN OUTLET BOX.





You will need 25 - B10
25 Watts Recommended
40 Watts Max



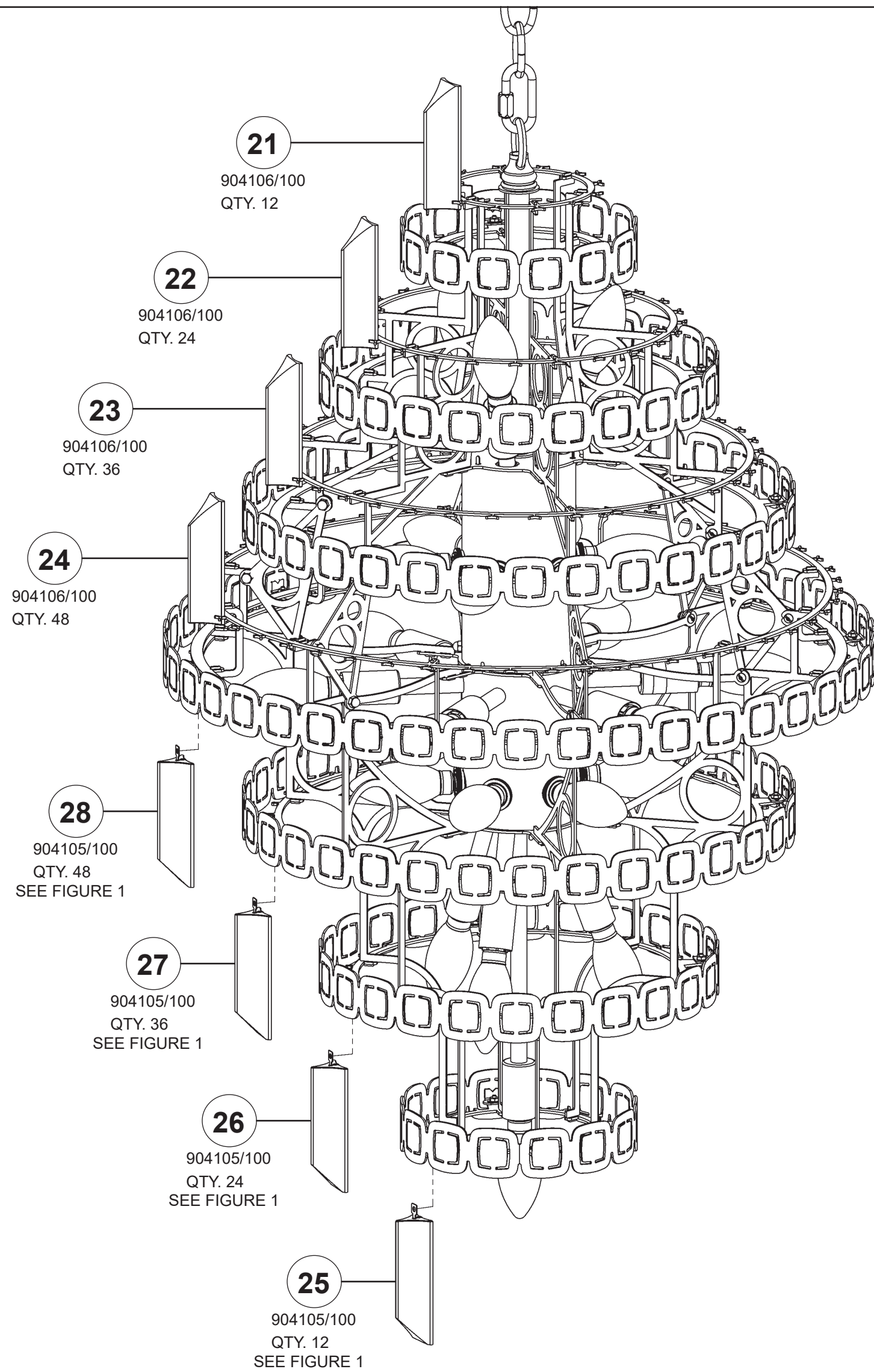


FIGURE 1

