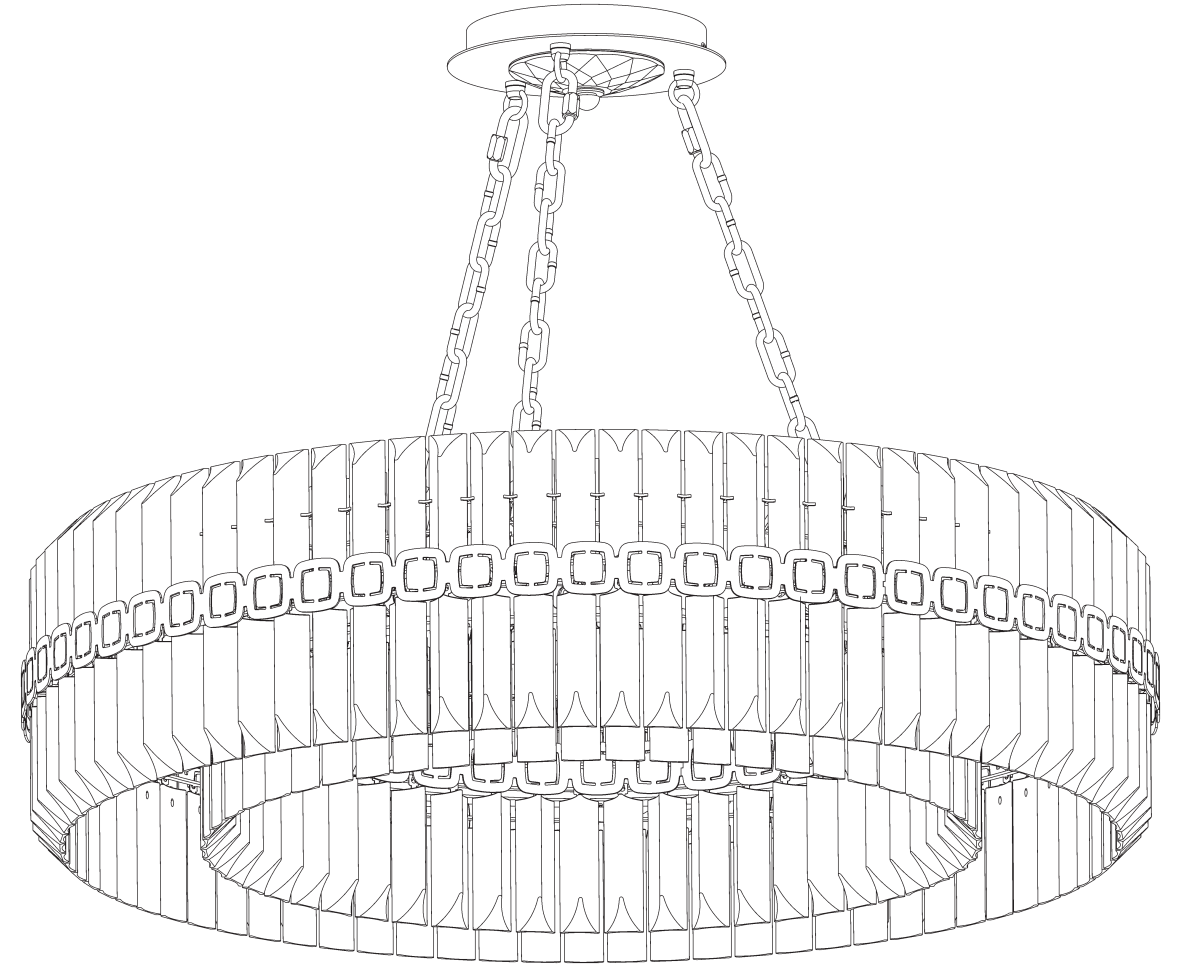


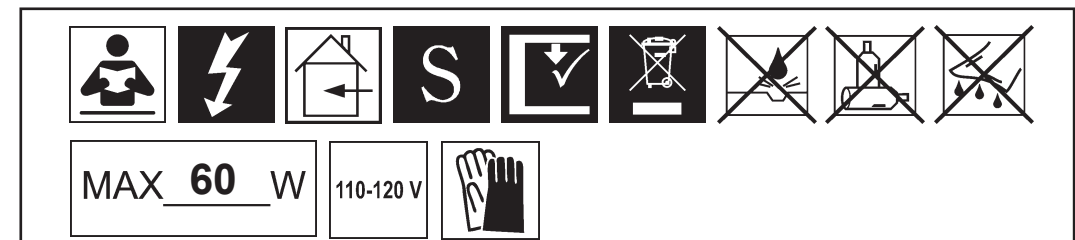
SCHONBEK
Signature[™]

ALINA
S47633-__ __O



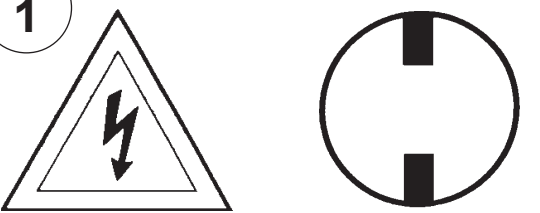
THIS DESIGN IS THE PROPRIETARY
TRADE DRESS/TRADEMARK OF
W SCHONBEK LLC.

SCHONBEK
Signature[™]



1

WARNING:



Electrical Danger **Turn Power Off**

All electrical components must be installed by a licensed electrician in accordance with the National Electric Code and the appropriate local electrical codes.

WARNING:
MOUNTING CONFIGURATION AND HARDWARE MUST HOLD 4X THE WEIGHT OF THE FIXTURE. MOUNTING DESIGN AND FIXTURE INSTALLATION SHOULD BE CONDUCTED BY A QUALIFIED LICENSED PROFESSIONAL.

NOTE: INSTALLER IS SOLELY RESPONSIBLE FOR PROPER MOUNTING!

WARNING: THIS LUMINAIRE MUST BE MOUNTED OR SUPPORTED INDEPENDENTLY OF AN OUTLET BOX. Attach mounting washer to the supporting structure (customer supplied). The structure must be suitable to support the fixture.

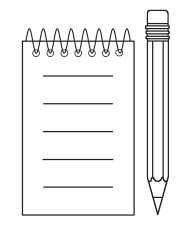
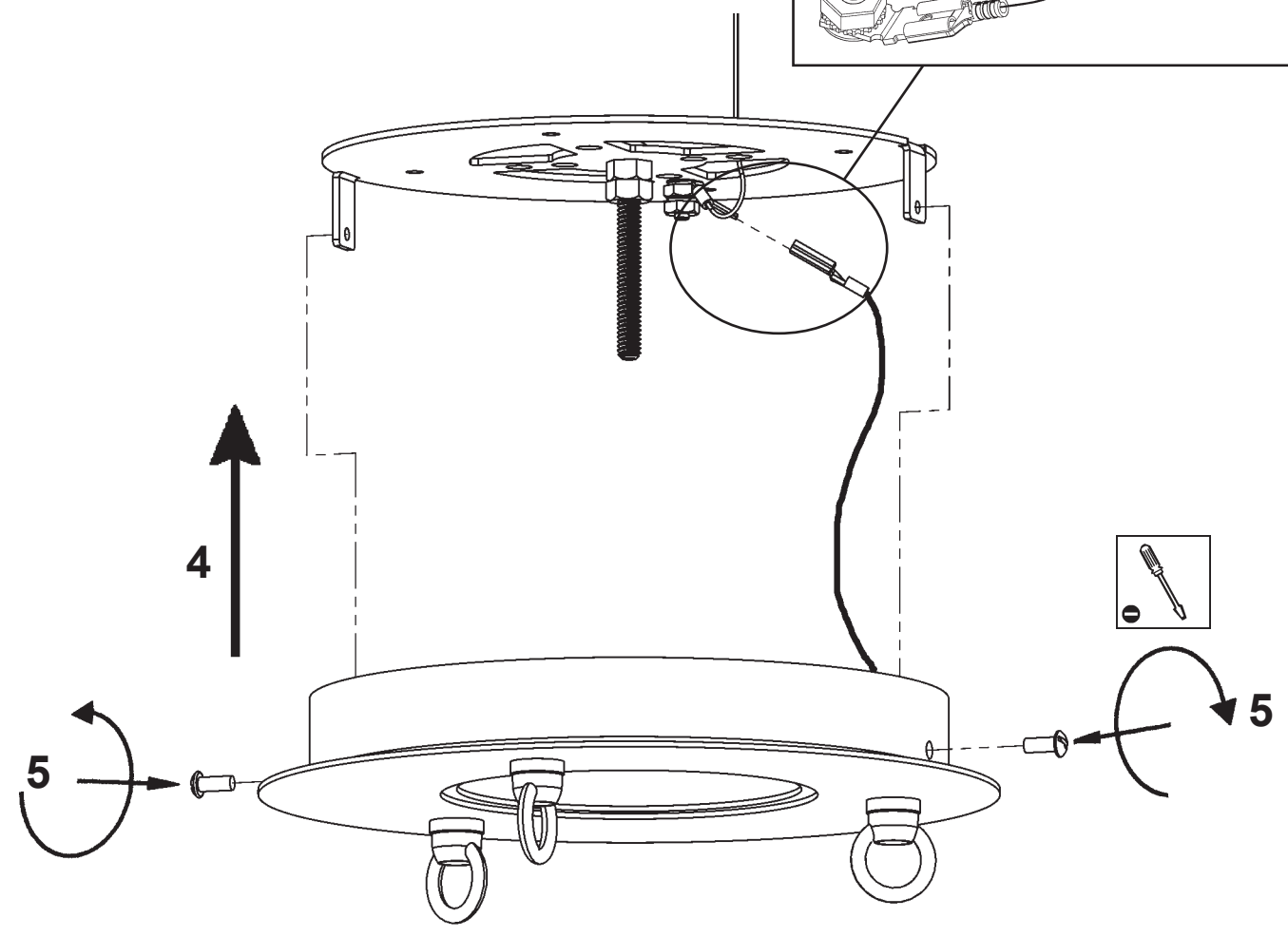
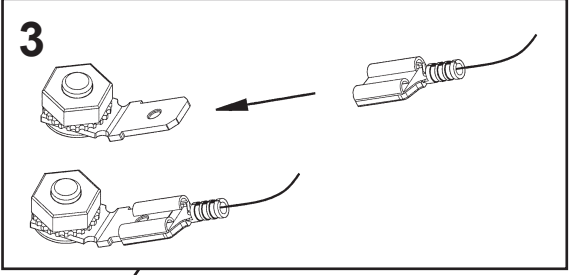
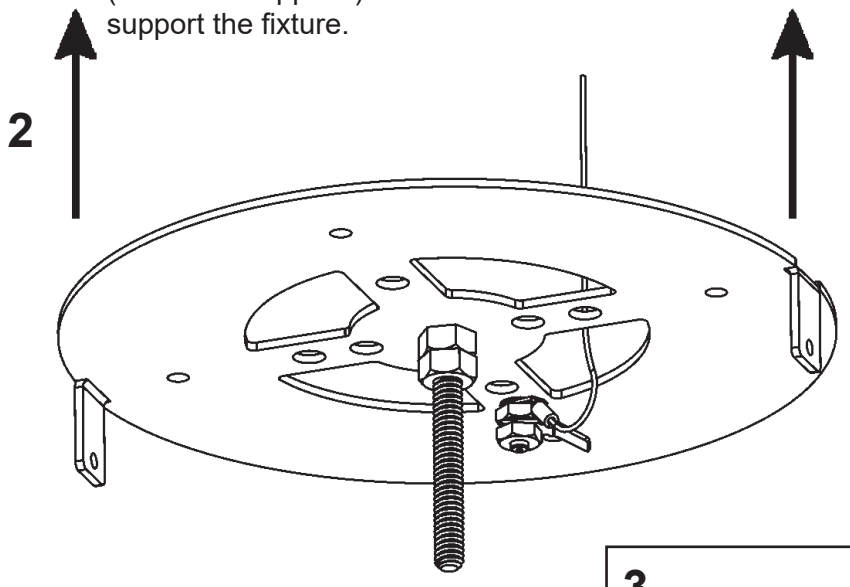
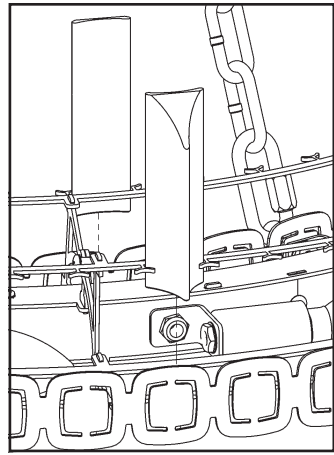


FIGURE 1



904106/100
SEE FIGURE 1

904106/100
SEE FIGURE 1

15

16

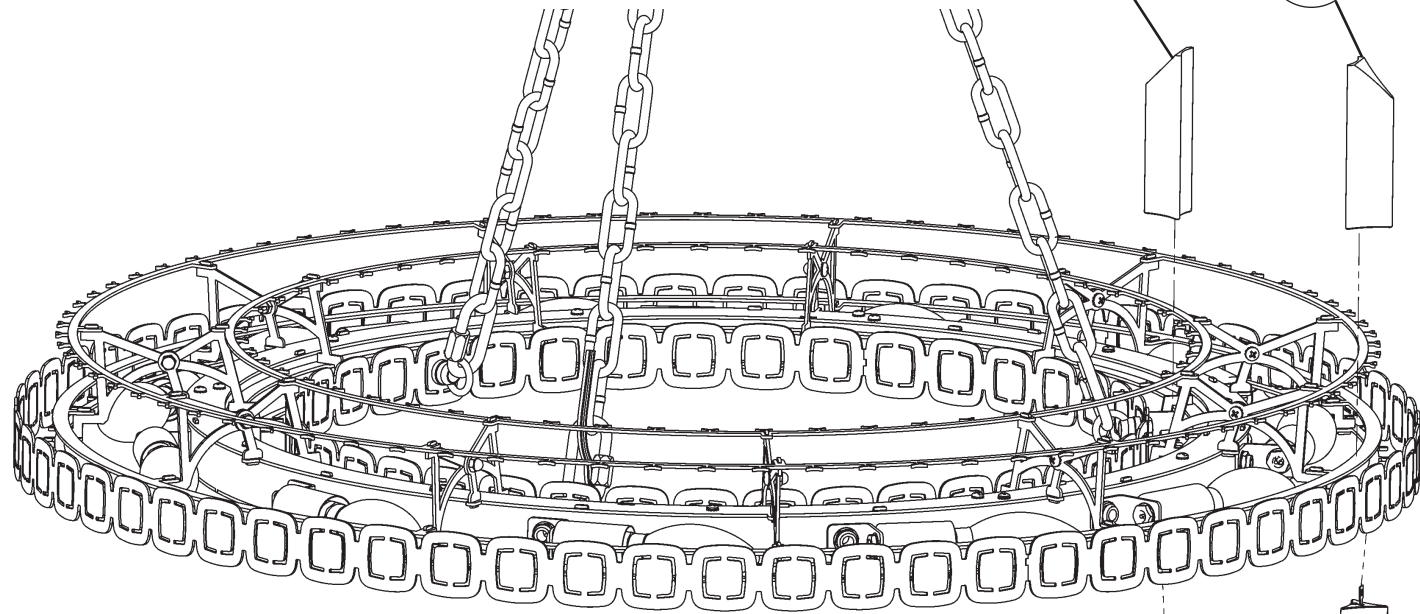
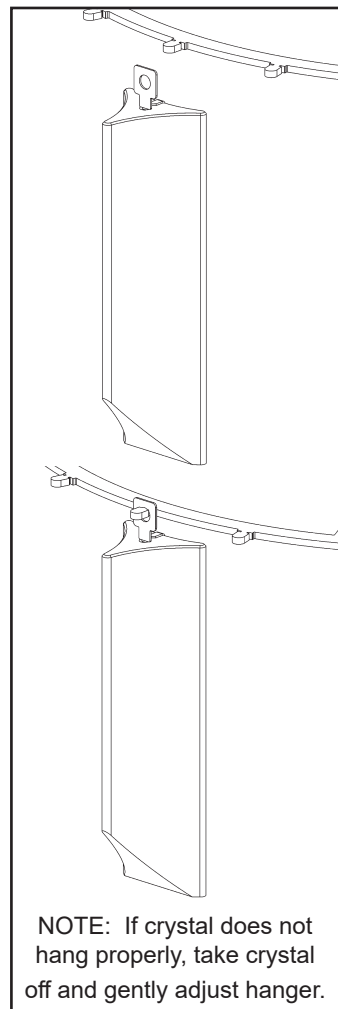


FIGURE 2



17

904105/100
SEE FIGURE 2

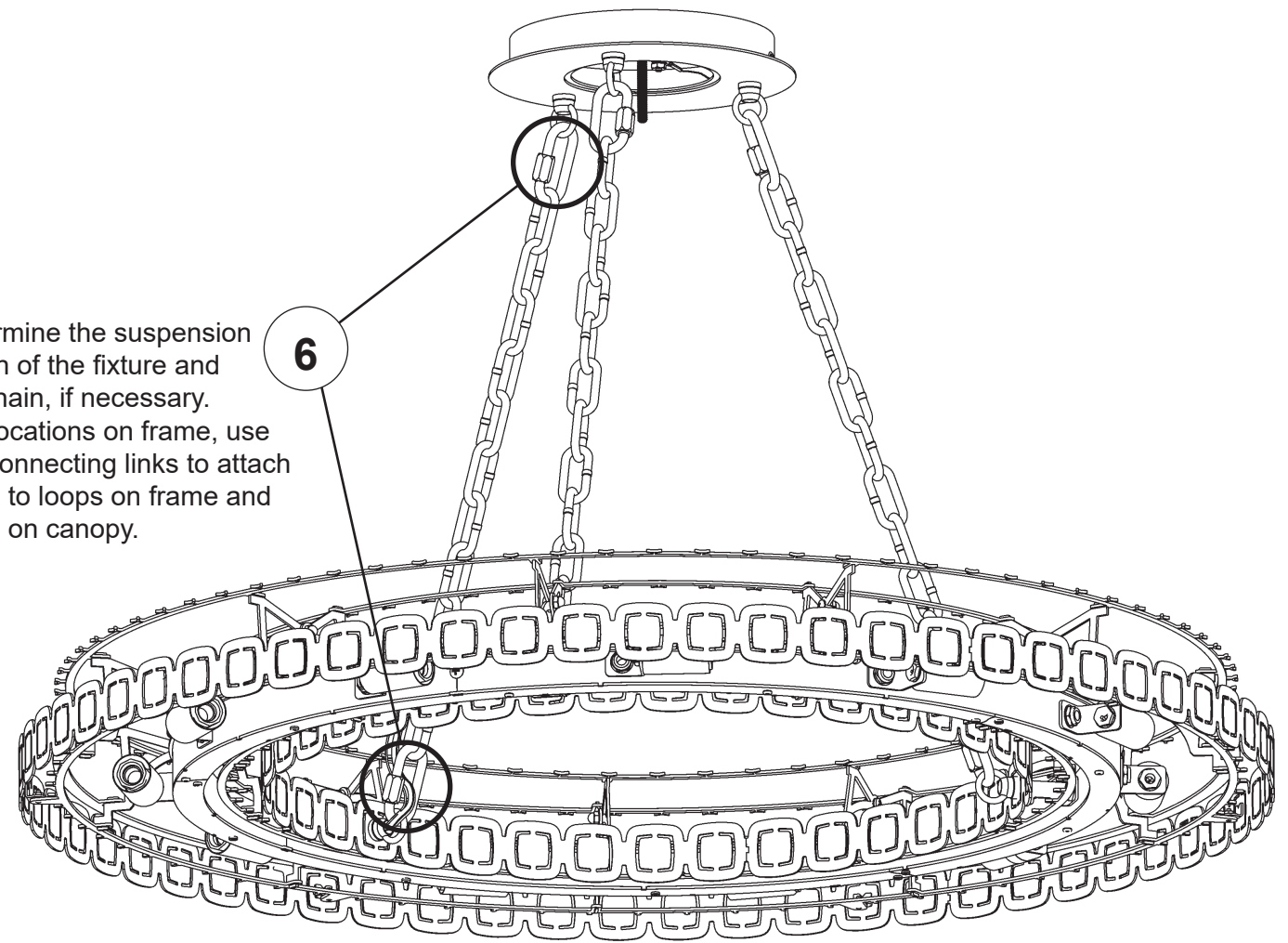
18

904105/100
SEE FIGURE 2

NOTE: If crystal does not hang properly, take crystal off and gently adjust hanger.

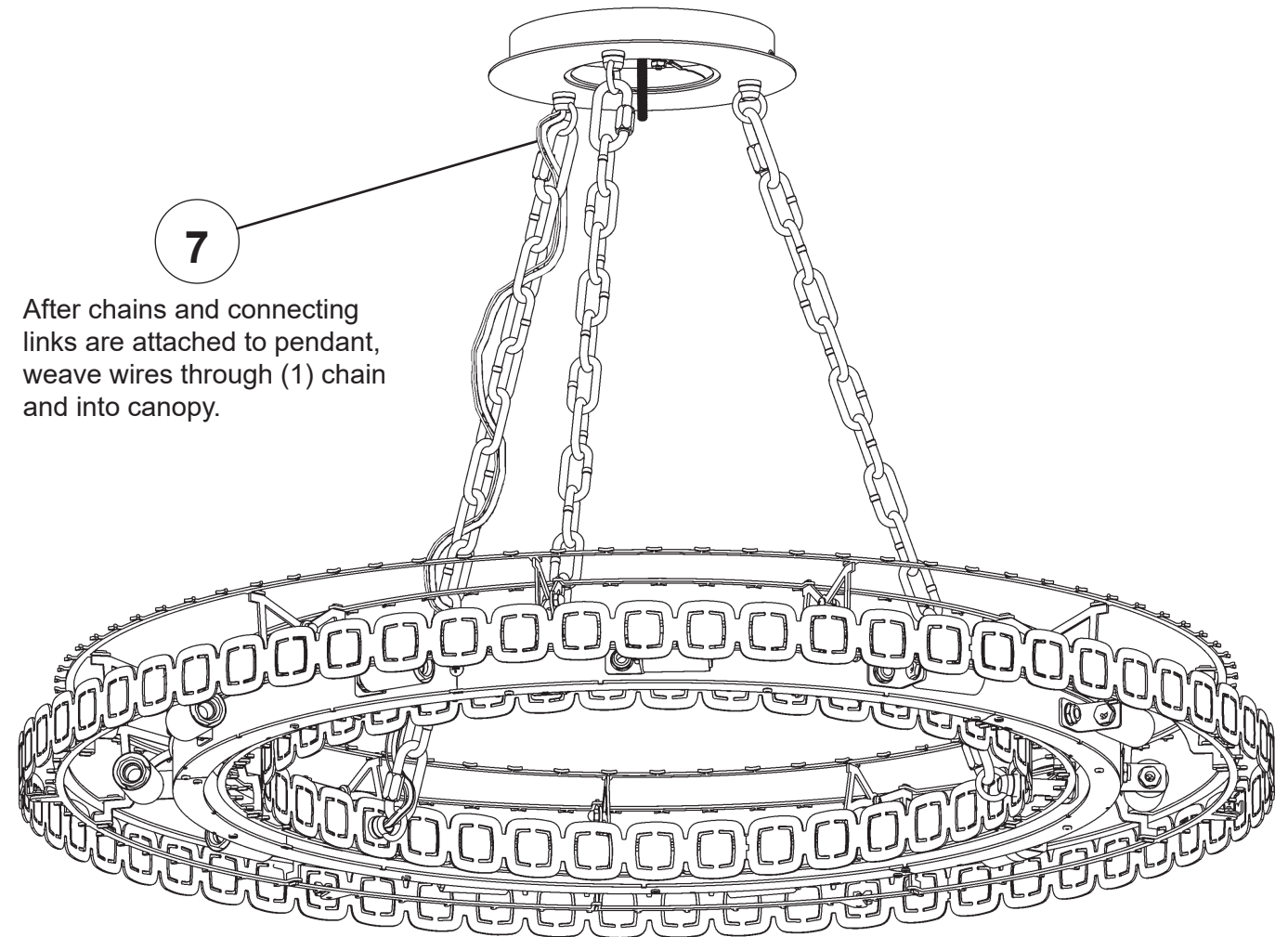
Determine the suspension length of the fixture and cut chain, if necessary. In 3 locations on frame, use two connecting links to attach chain to loops on frame and loops on canopy.

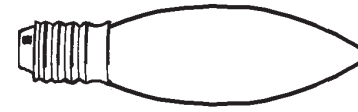
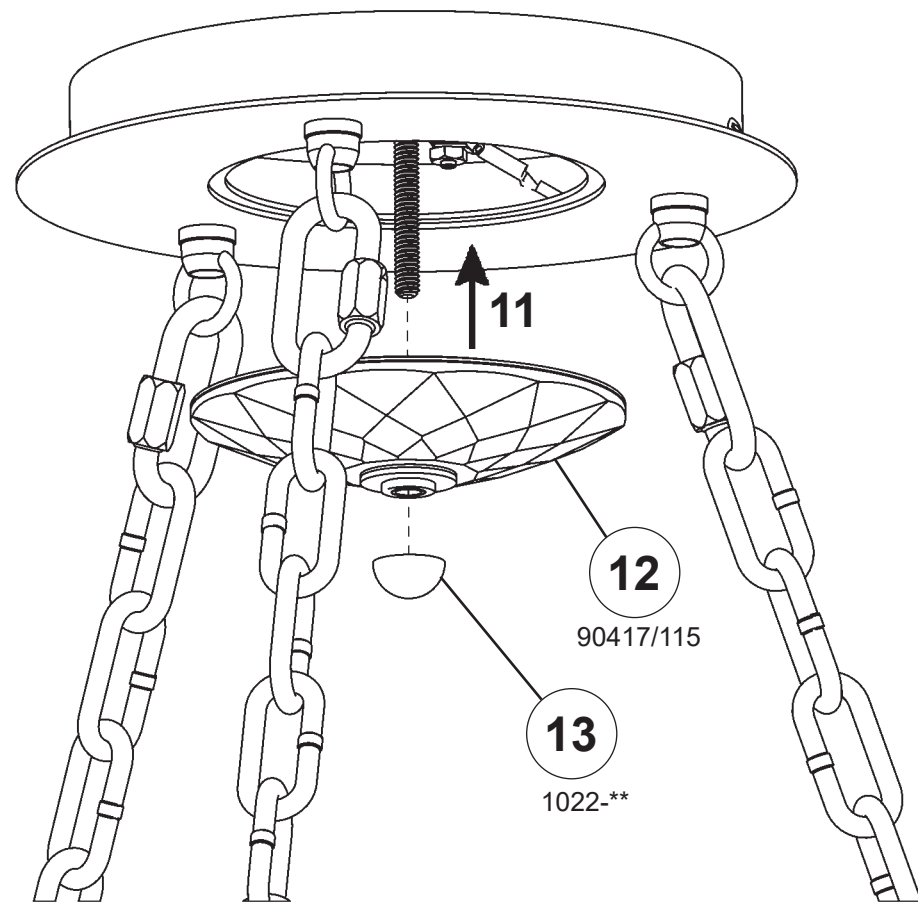
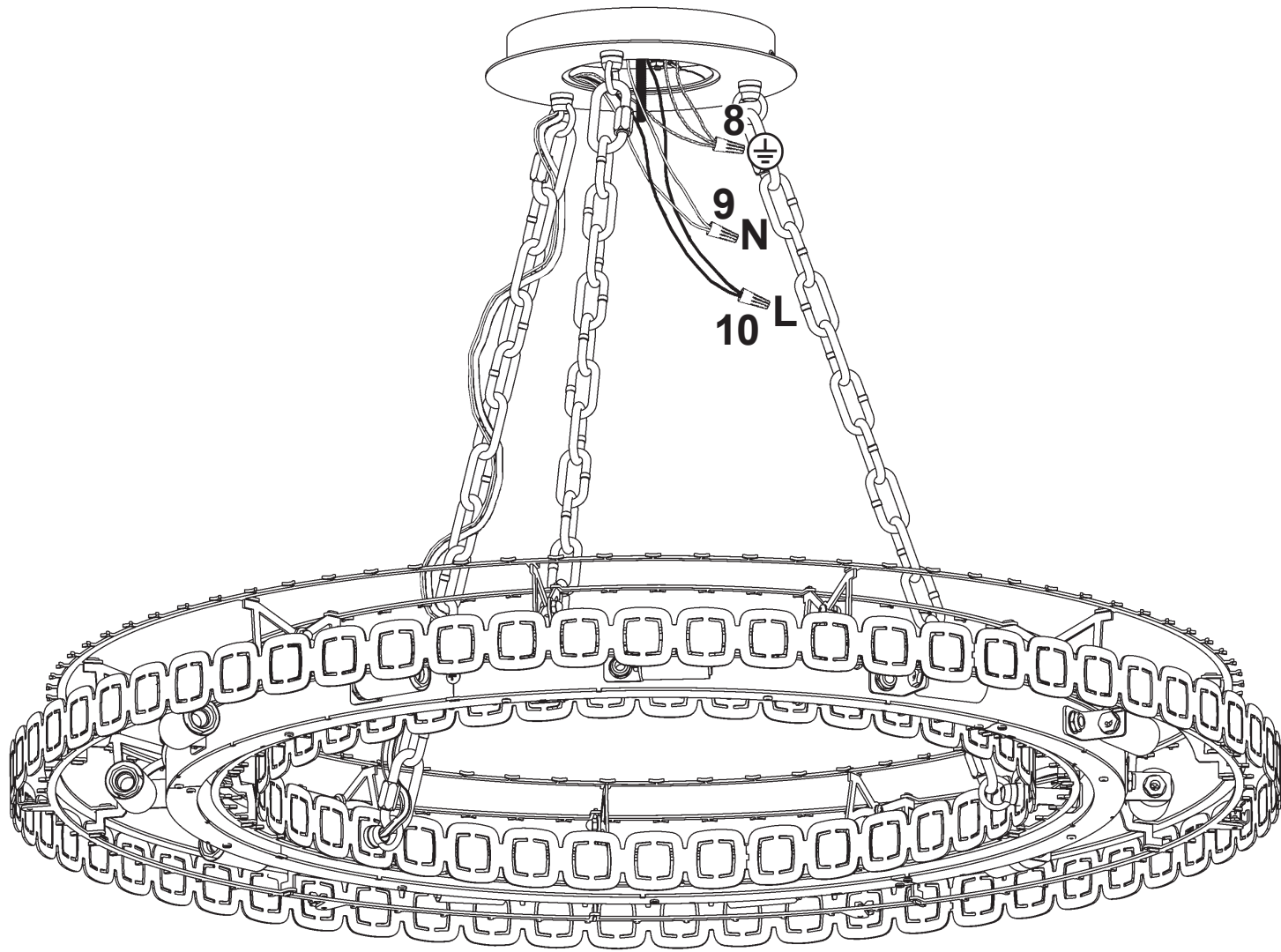
6



7

After chains and connecting links are attached to pendant, weave wires through (1) chain and into canopy.





You will need 11 - B10
25 Watts Recommended
46 Watts Max

**Install bulbs and be sure
to test fixture BEFORE
trimming.**

