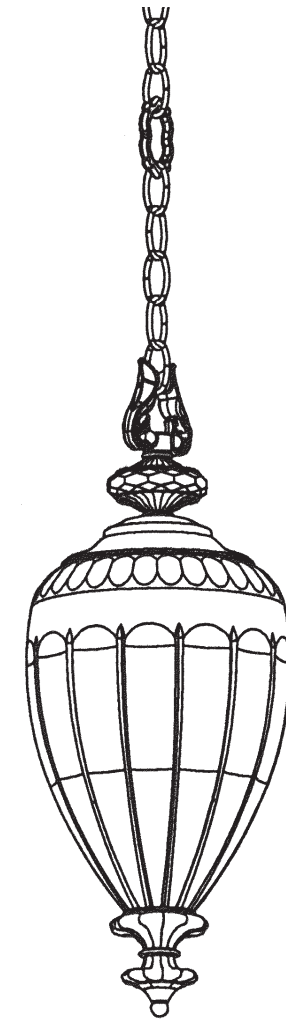


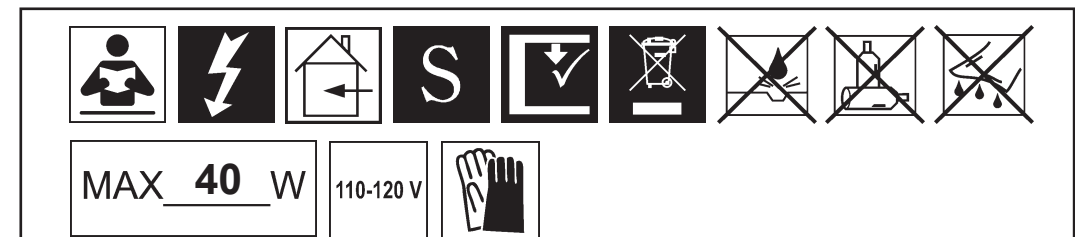
SCHONBEK
Signature[™]

DYANA
S50601- __ __ H

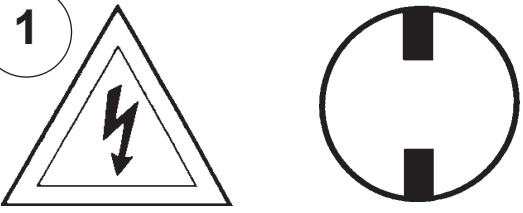


THIS DESIGN IS THE PROPRIETARY
TRADE DRESS/TRADEMARK OF
W SCHONBEK LLC.

SCHONBEK
Signature[™]

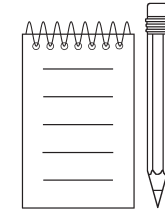
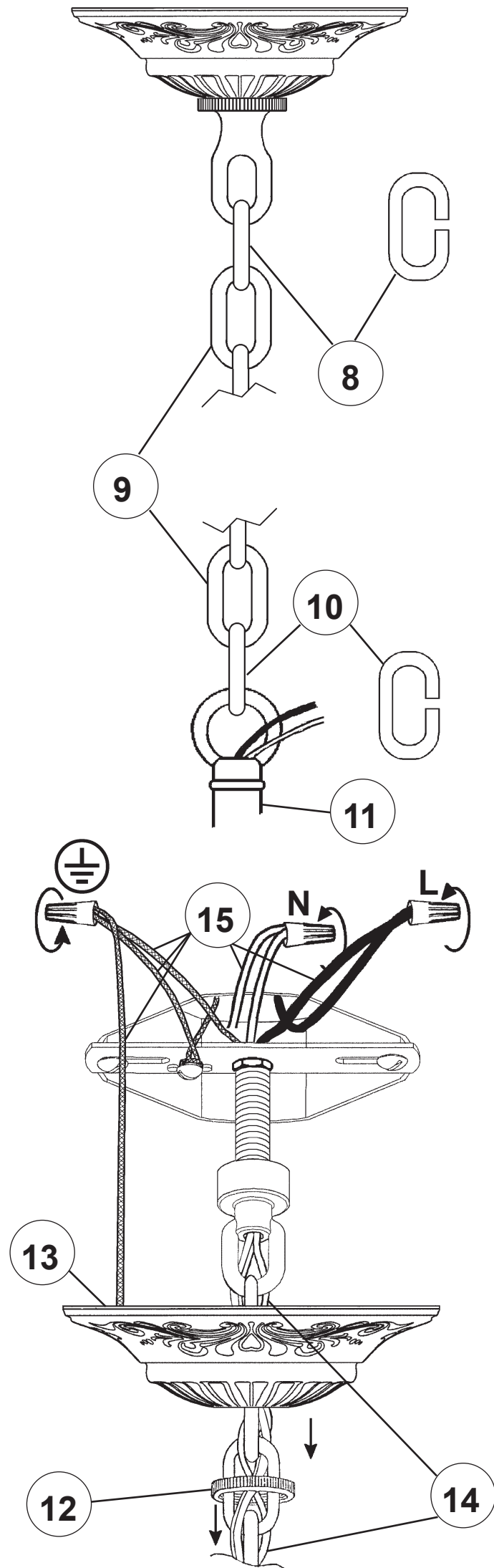
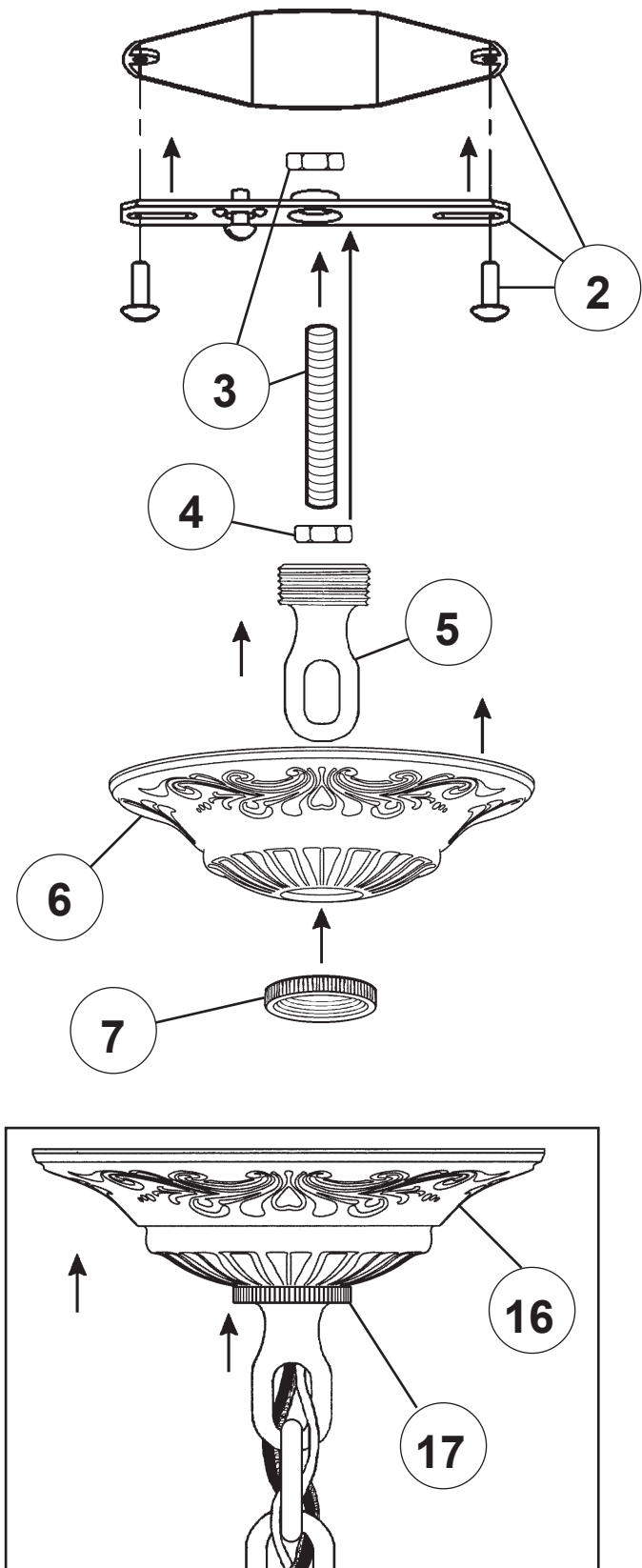


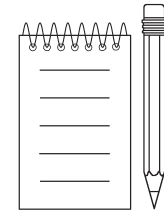
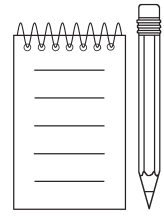
WARNING:



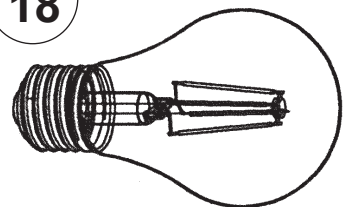
Electrical Danger Turn Power Off

All electrical components must be installed by a licensed electrician in accordance with the National Electric Code and the appropriate local electrical codes.





18



You will need 1 - A19
25 Watts Recommended
40 Watts Max

