

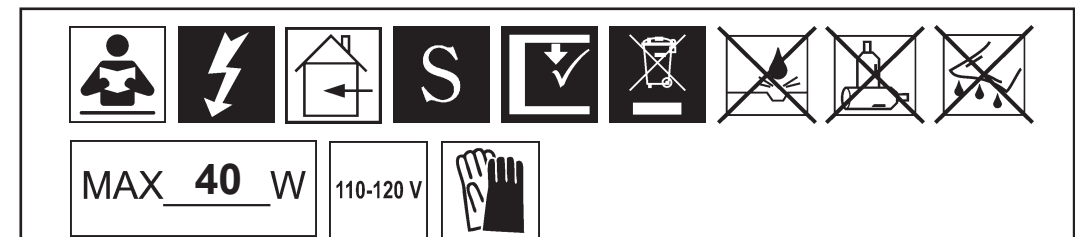
SCHONBEK
Signature[™]

DYANA
S50603- __ __ H



THIS DESIGN IS THE PROPRIETARY
TRADE DRESS/TRADEMARK OF
W SCHONBEK LLC.

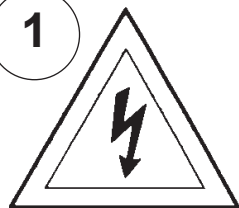
SCHONBEK
Signature[™]



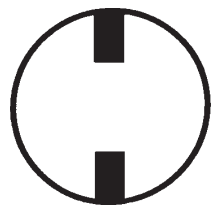
WARNING:

All electrical components must be installed by a licensed electrician in accordance with the National Electric Code and the appropriate local electrical codes.

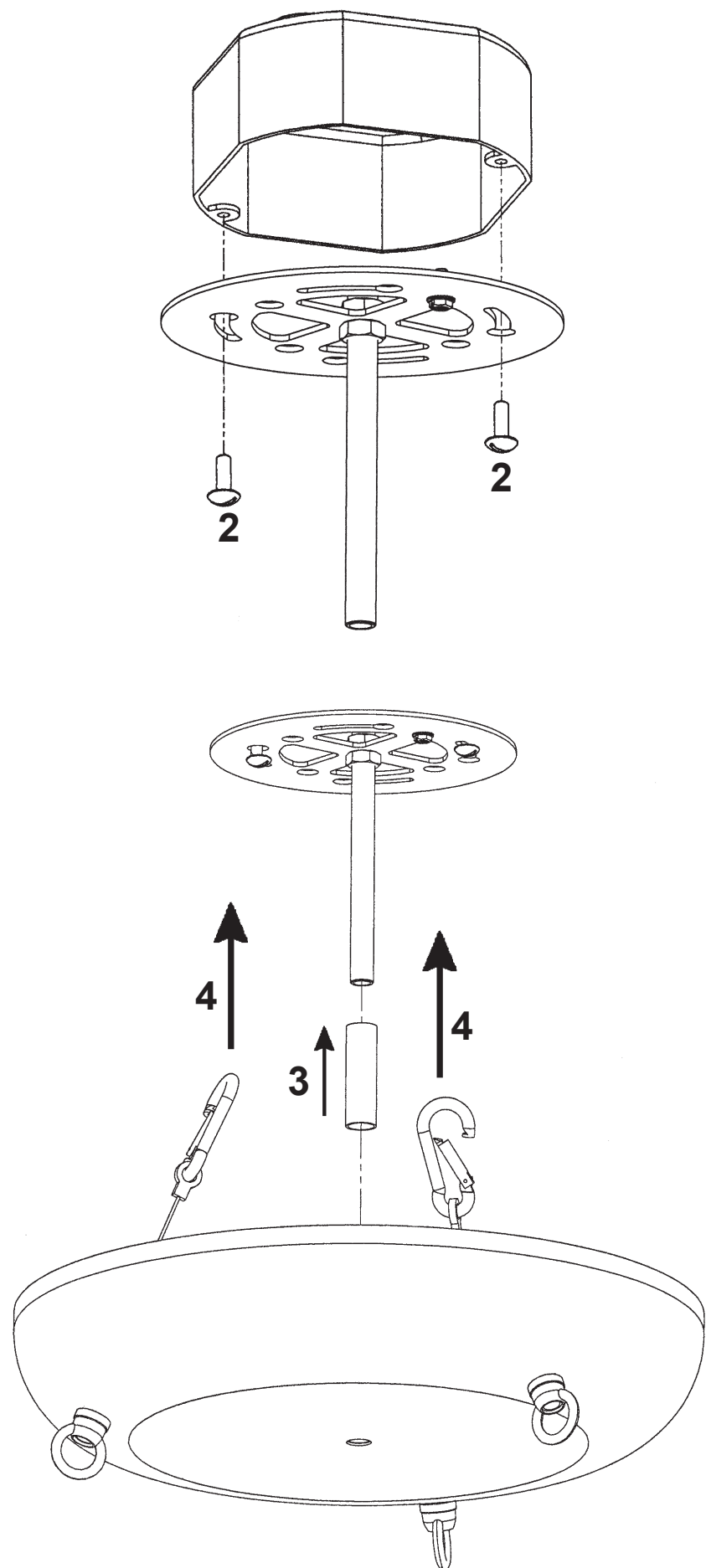
1



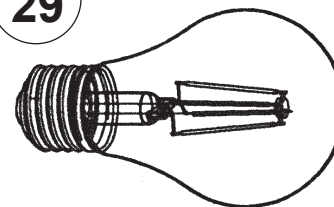
Electrical Danger



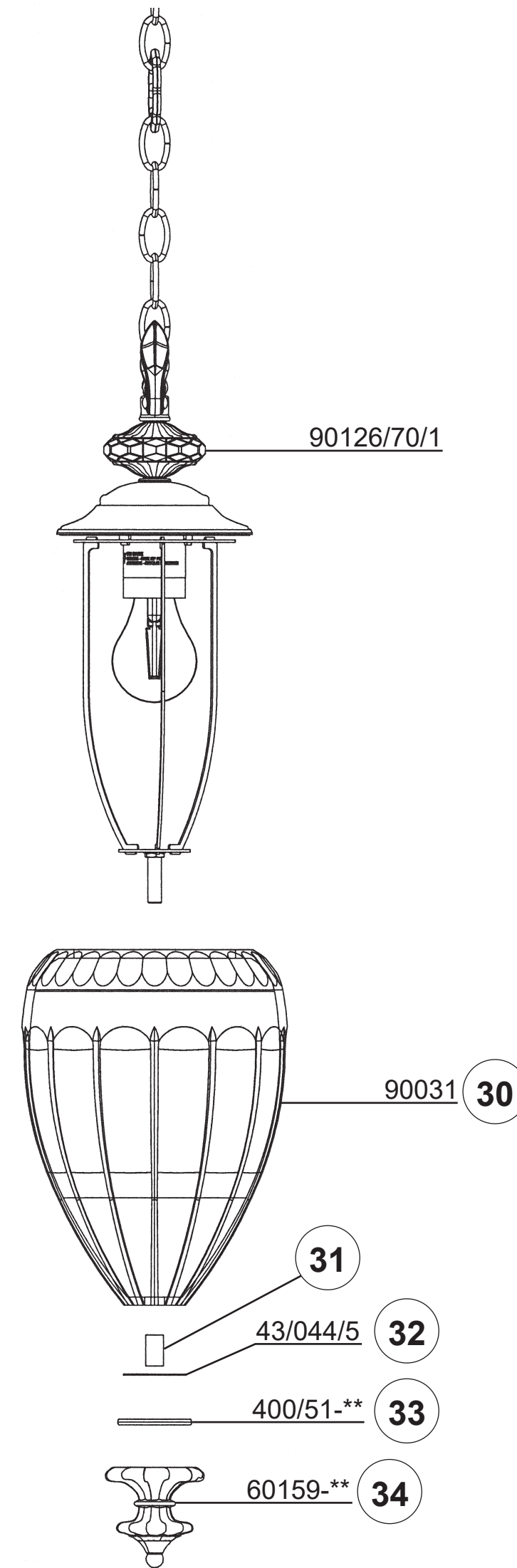
Turn Power Off



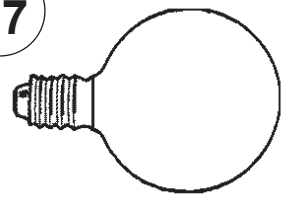
29



You will need 1 - A19
25 Watts Recommended
40 Watts Max

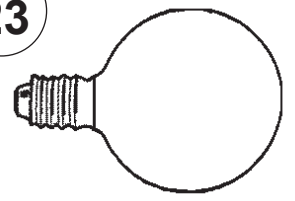


17



You will need 1 - G12
25 Watts Recommended
40 Watts Max

23



You will need 1 - G12
25 Watts Recommended
40 Watts Max

