

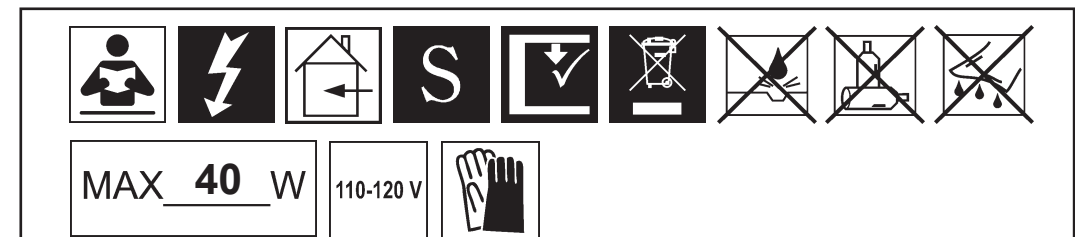
SCHONBEK
Signature[™]

DYANA
S50605- __ __ H

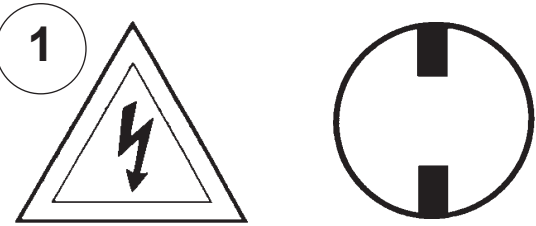


THIS DESIGN IS THE PROPRIETARY
TRADE DRESS/TRADEMARK OF
W SCHONBEK LLC.

SCHONBEK
Signature[™]

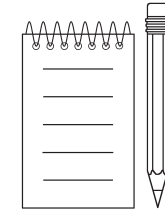
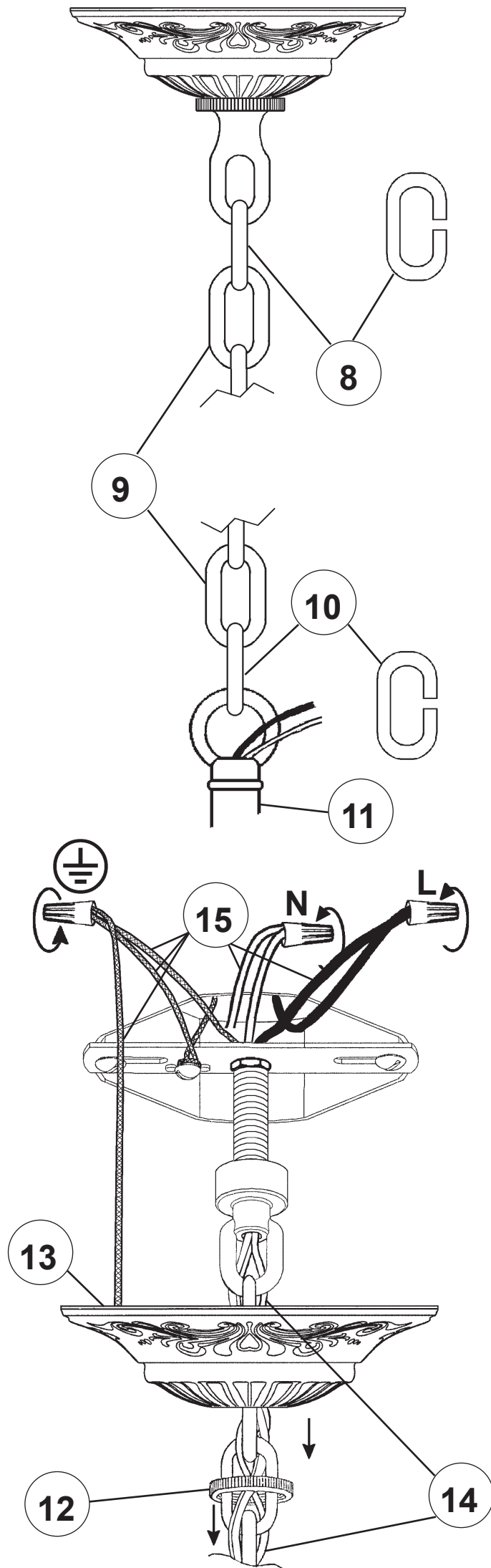
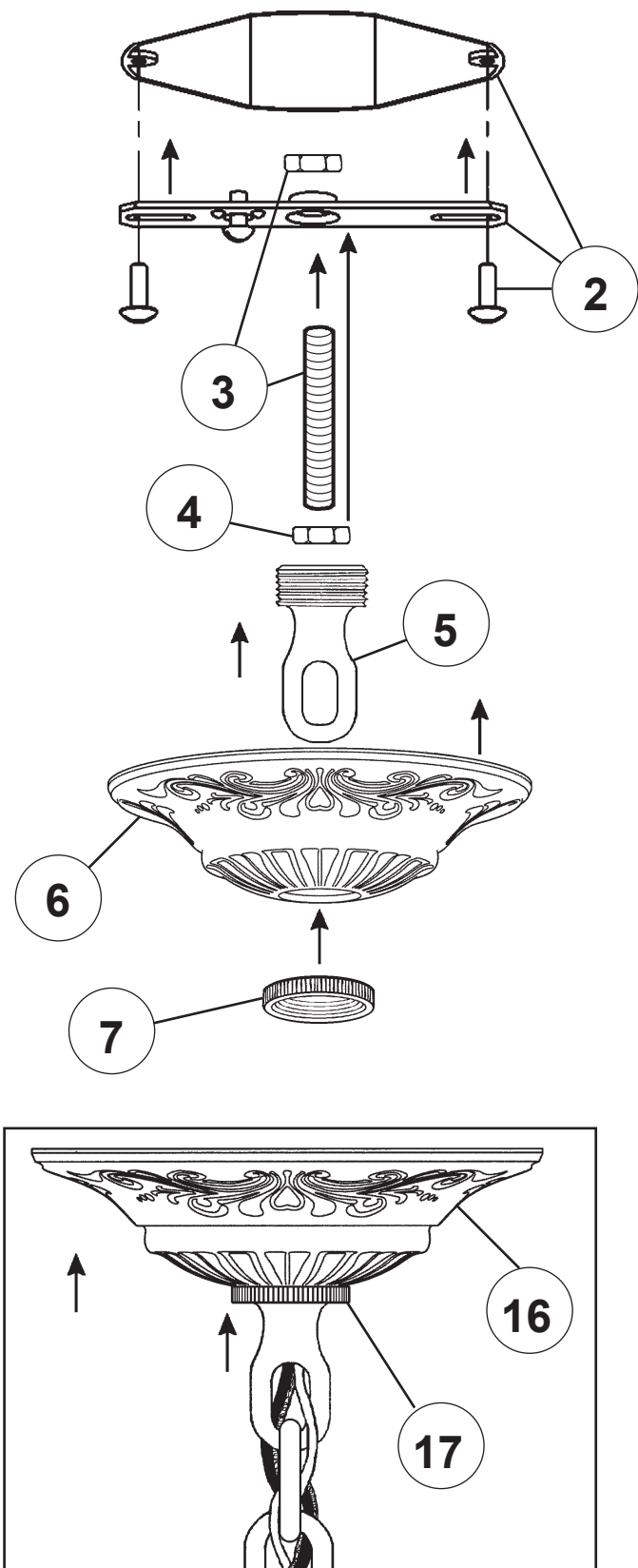


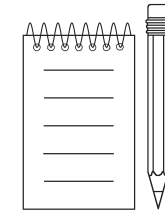
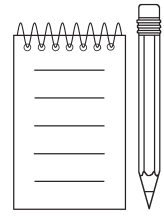
WARNING:



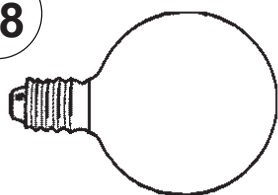
Electrical Danger Turn Power Off

All electrical components must be installed by a licensed electrician in accordance with the National Electric Code and the appropriate local electrical codes.

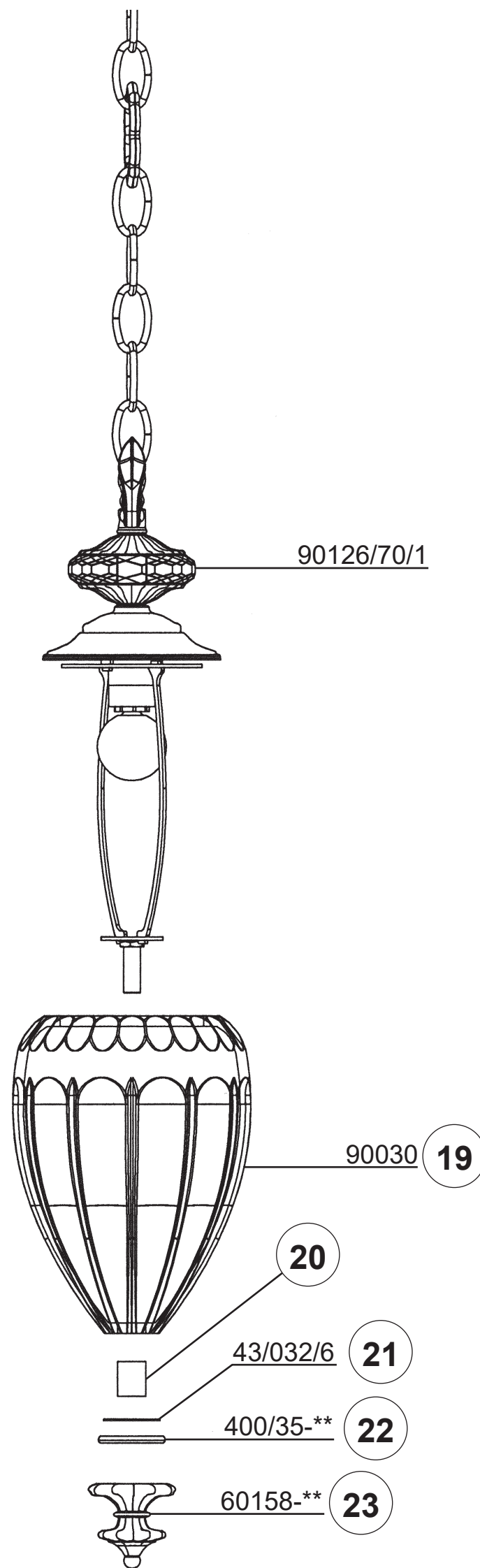




18



You will need 1 - G12
25 Watts Recommended
40 Watts Max



90126/70/1

90030 19

20

43/032/6 21

400/35-** 22

60158-** 23