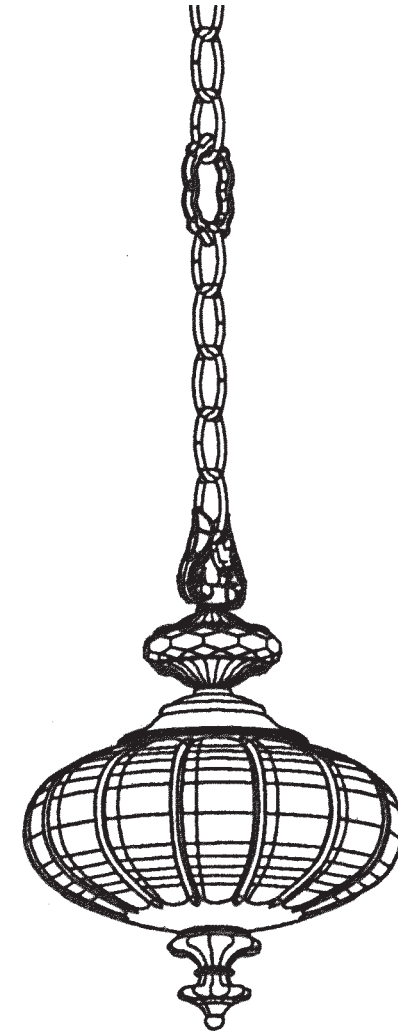


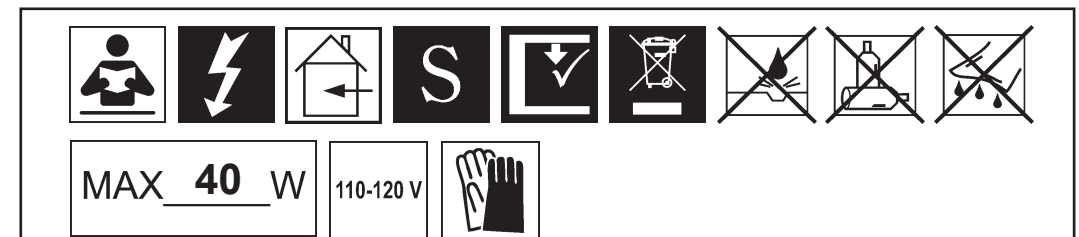
SCHONBEK
Signature[™]

DYANA
S50608-__ __H

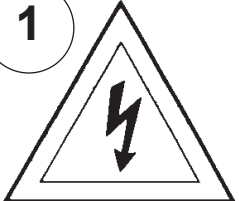
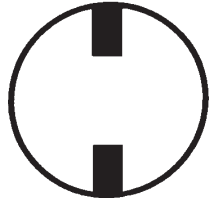


THIS DESIGN IS THE PROPRIETARY
TRADE DRESS/TRADEMARK OF
W SCHONBEK LLC.

SCHONBEK
Signature[™]

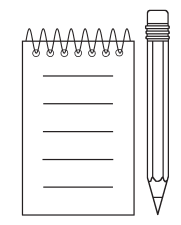
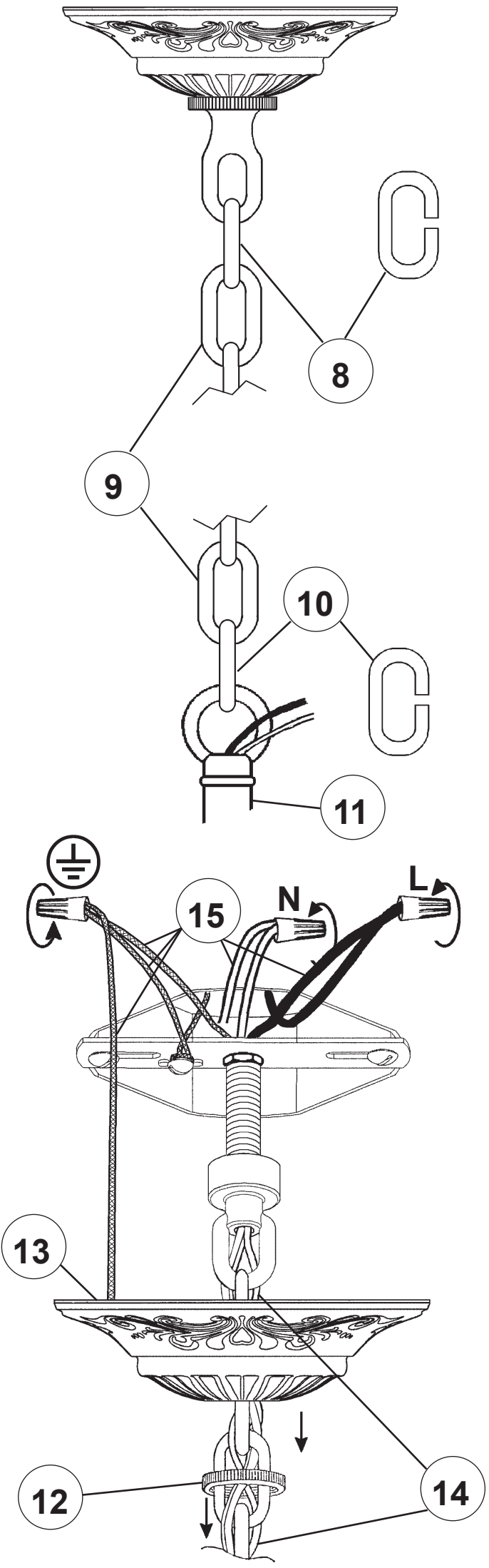
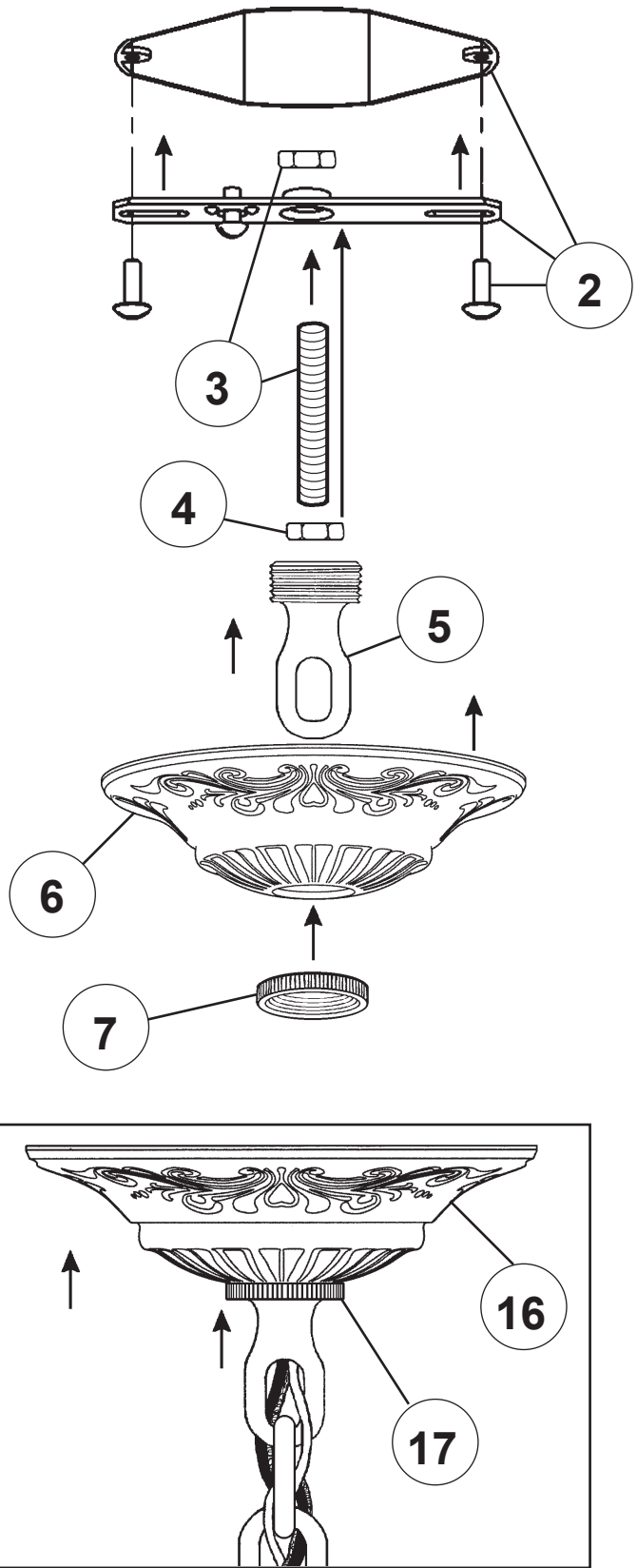


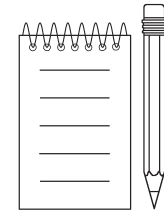
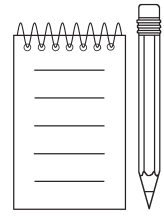
WARNING:

1  

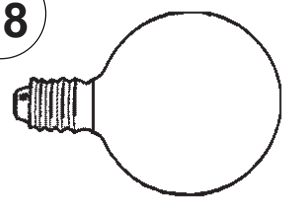
Electrical Danger Turn Power Off

All electrical components must be installed by a licensed electrician in accordance with the National Electric Code and the appropriate local electrical codes.

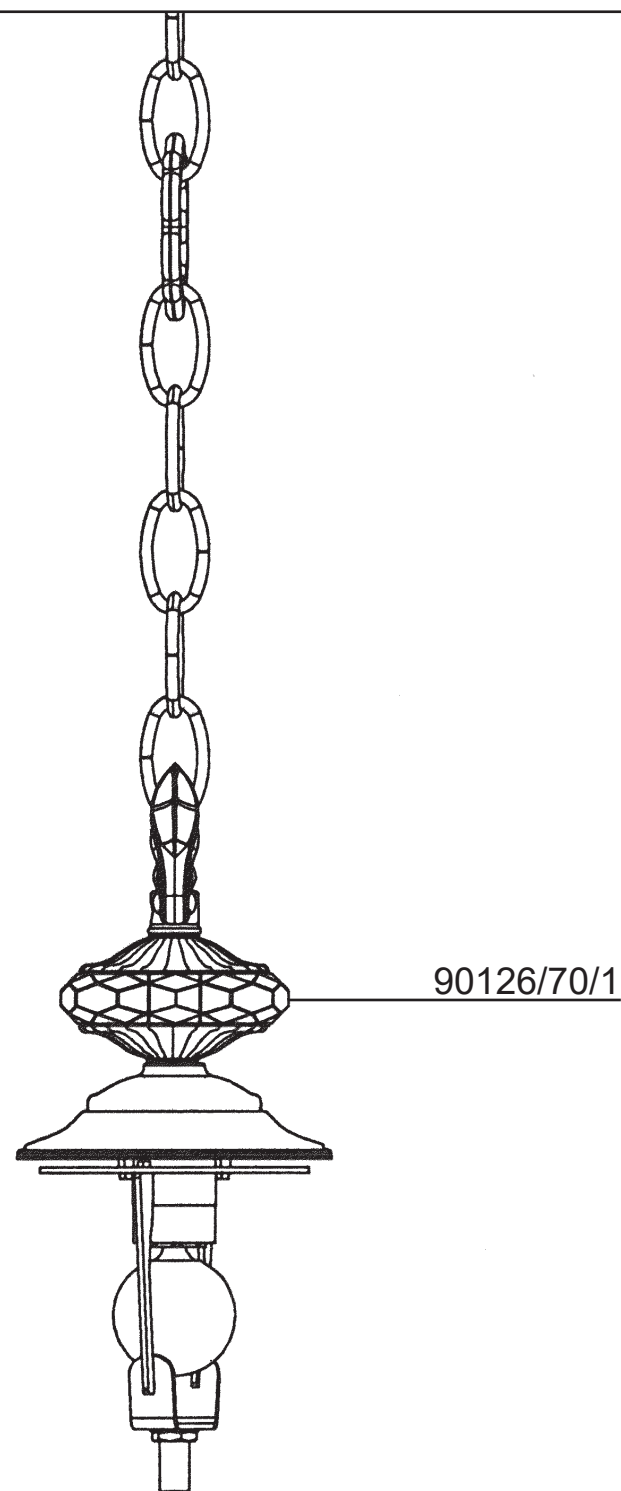




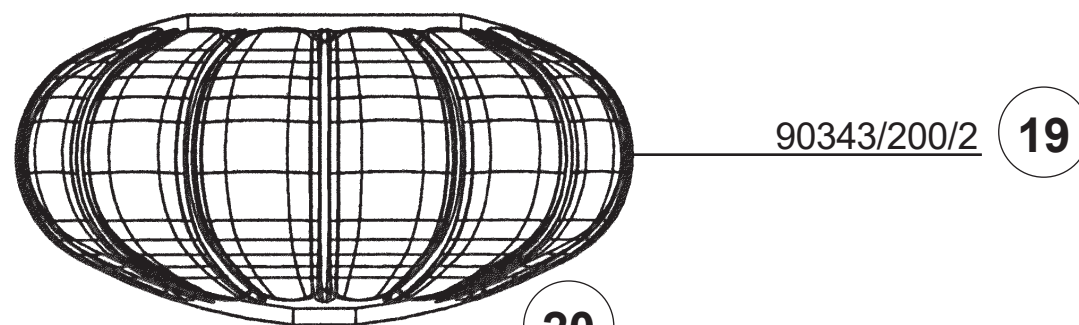
18



You will need 1 - G12
25 Watts Recommended
40 Watts Max

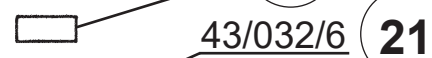


90126/70/1



90343/200/2 19

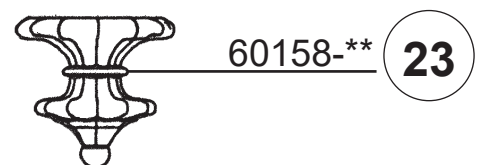
20



43/032/6 21



400/35-** 22



60158-** 23