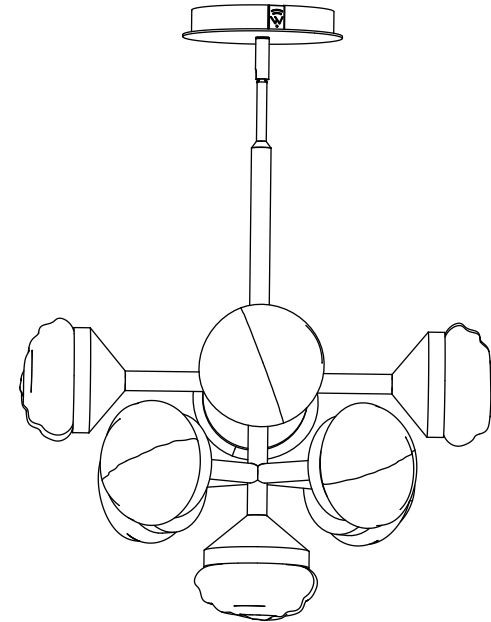


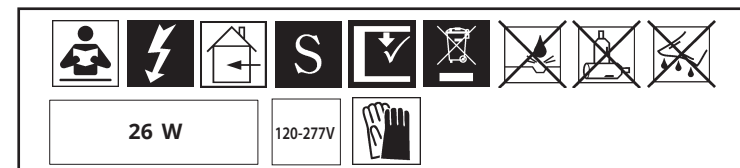
SCHONBEK
Signature[™]

HESTIA
S52619-____R



THIS DESIGN IS THE PROPRIETARY
TRADE DRESS/TRADEMARK OF
W SCHONBEK LLC.

SCHONBEK
Signature[™]



All electrical components must be installed by a licensed electrician in accordance with the National Electric Code and the appropriate local electrical codes.

