

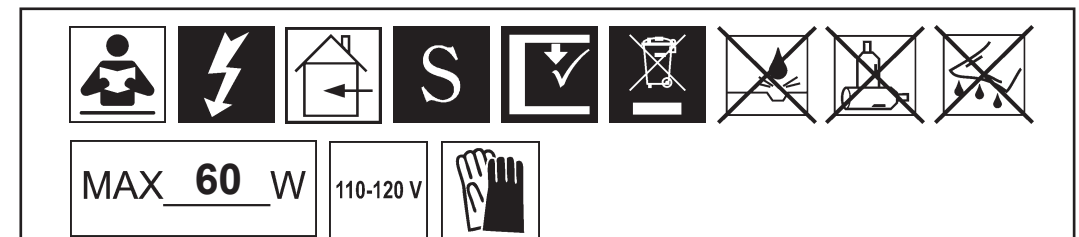
SCHONBEK
Signature[™]

CAMELLIA
S8006- ___ / ___ R

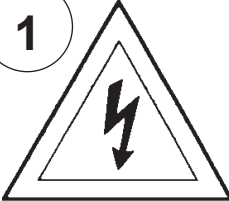
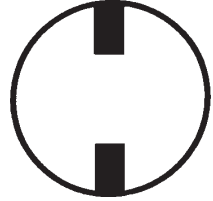


THIS DESIGN IS THE PROPRIETARY
TRADE DRESS/TRADEMARK OF
W SCHONBEK LLC.

SCHONBEK
Signature[™]

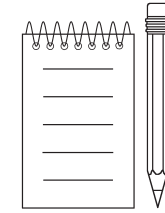
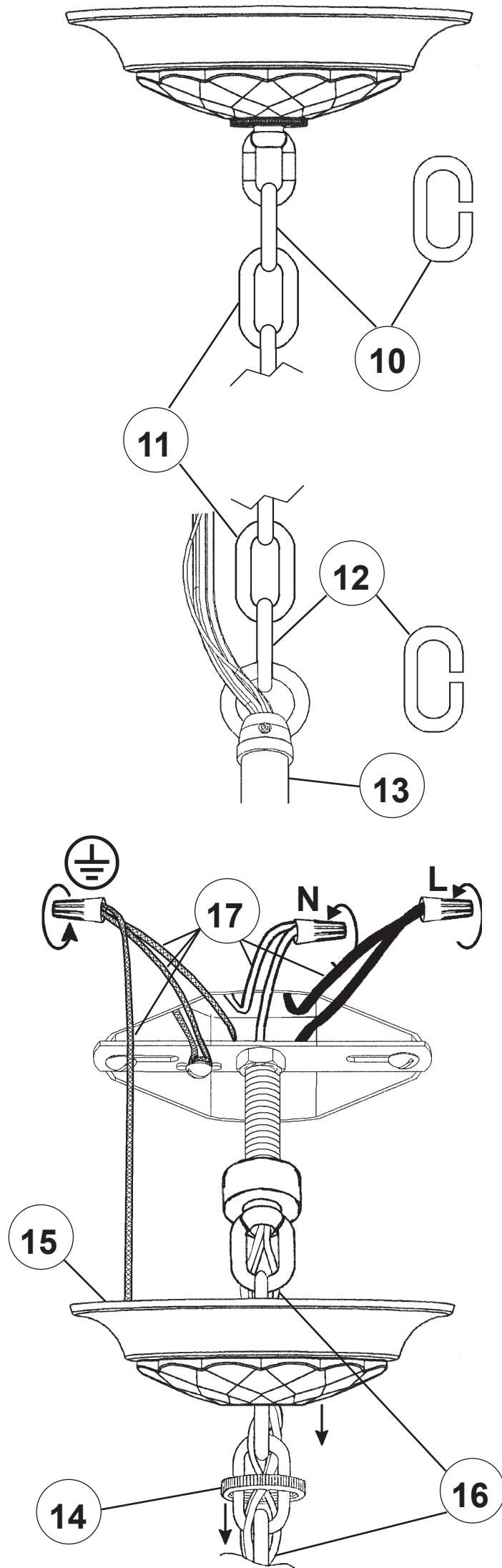
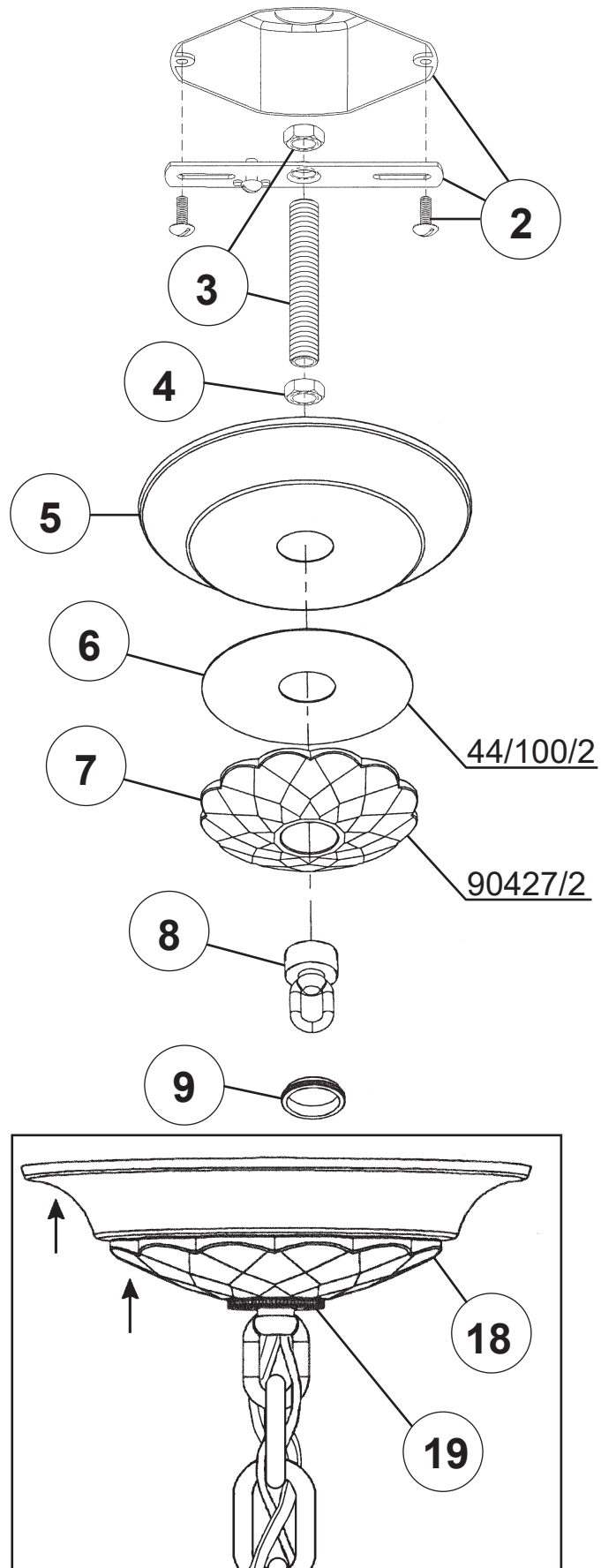


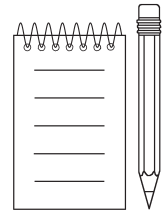
WARNING:

1  


Electrical Danger Turn Power Off

All electrical components must be installed by a licensed electrician in accordance with the National Electric Code and the appropriate local electrical codes.




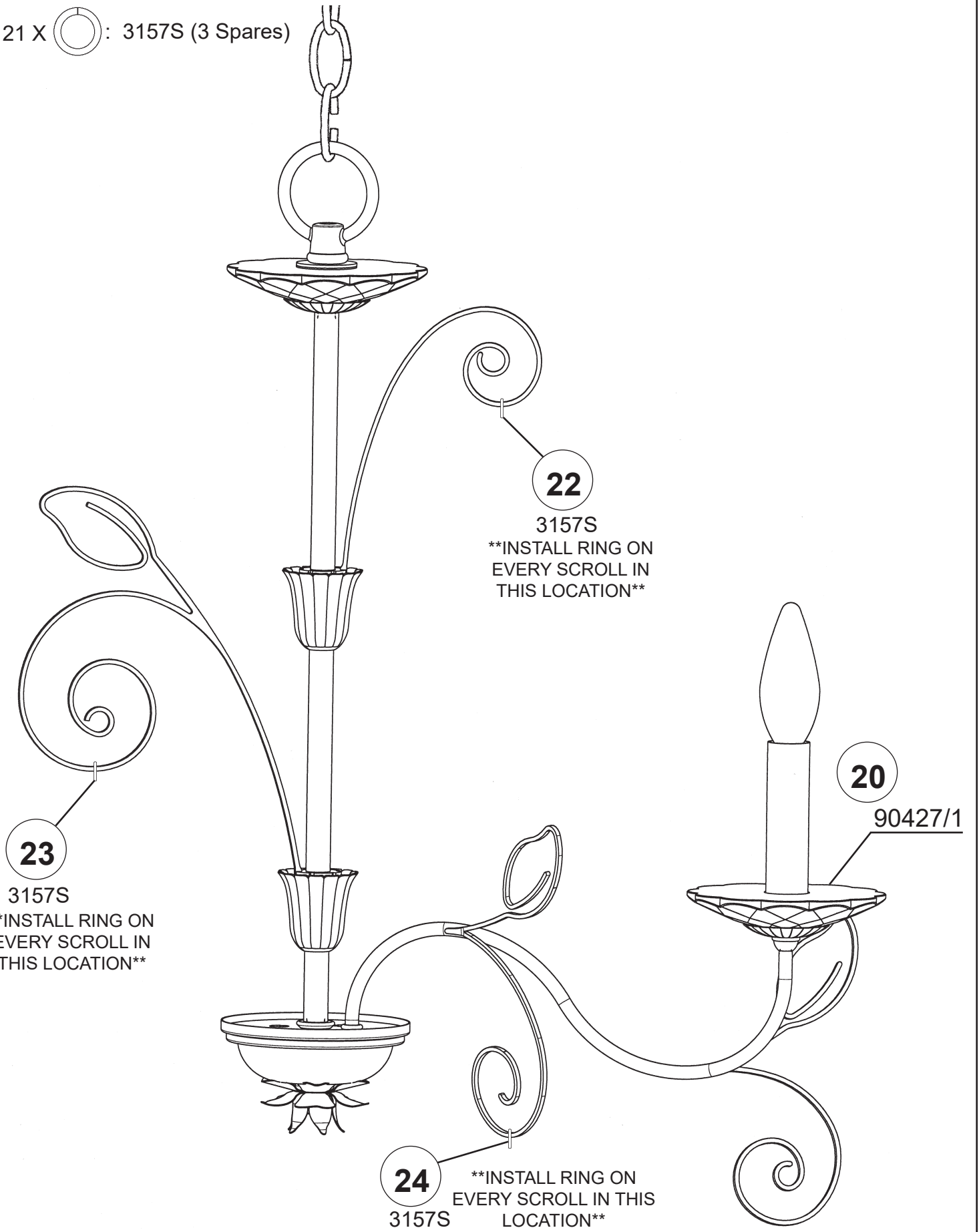


21



You will need 6 - B10
25 Watts Recommended
60 Watts Max

21 X  : 3157S (3 Spares)



FLOWER INSTALLATION

FIGURE 1

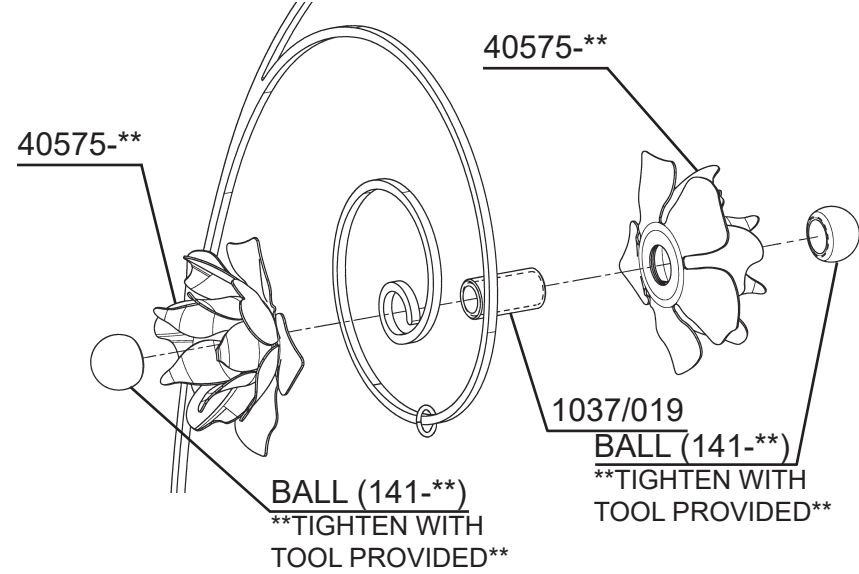
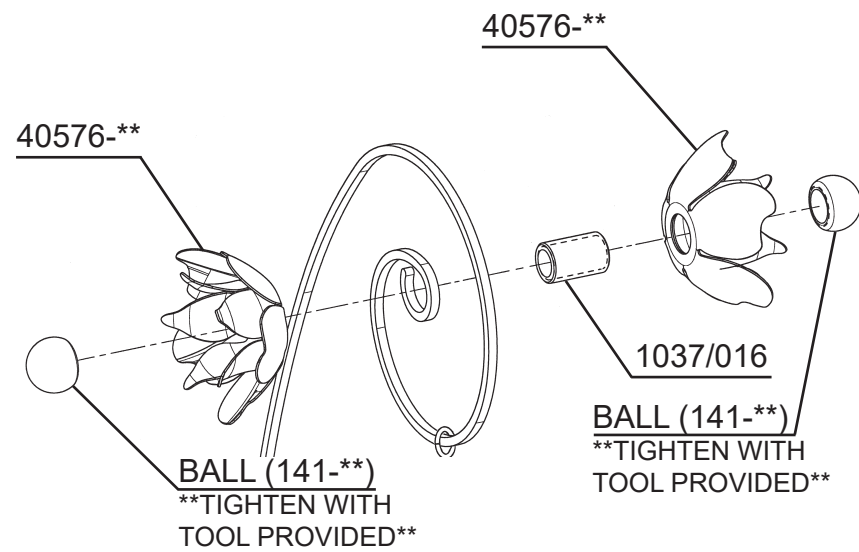


FIGURE 2



****TRIM RINGS (3157S) MUST BE INSTALLED PRIOR TO INSTALLING FLOWERS ON SCROLLS. SEE STEPS ON PAGE 3****

- 1** Attach one ball to either side of running thread.
- 2** Insert the other ball into the rubber tool (provided) with the threads facing outward.
- 3** Insert the ball, with the running thread, through both flowers in the position shown.
- 4** Fasten flowers to fixture using the rubber tool until flower is tight.

