

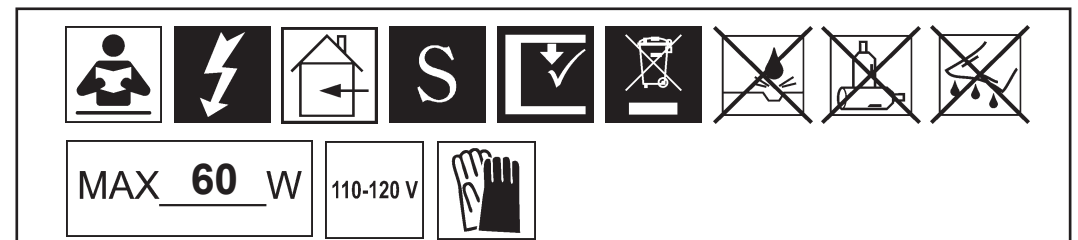
SCHONBEK  
*Signature*<sup>™</sup>

**CAMELLIA**  
**S8015- \_\_\_ / \_\_\_ R**

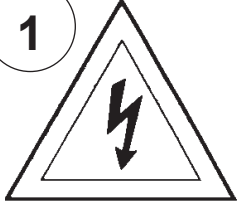
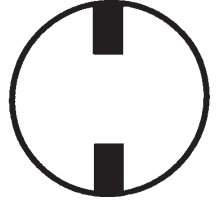


**T**HIS DESIGN IS THE PROPRIETARY  
TRADE DRESS/TRADEMARK OF  
W SCHONBEK LLC.

SCHONBEK  
*Signature*<sup>™</sup>

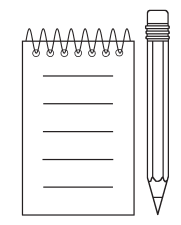
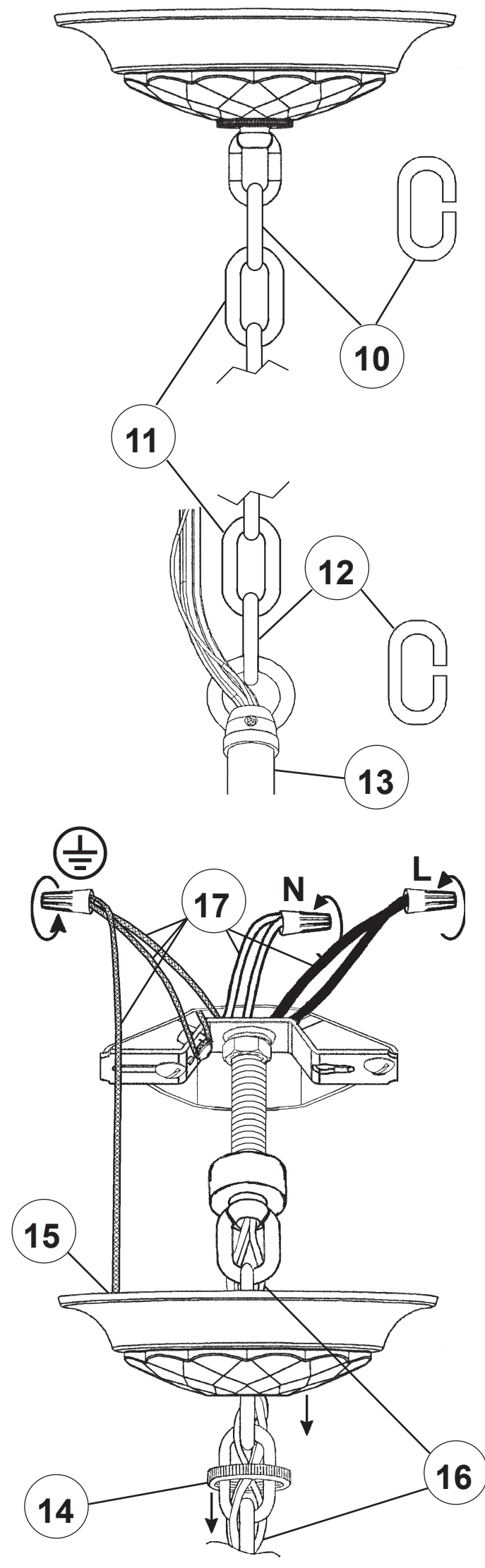
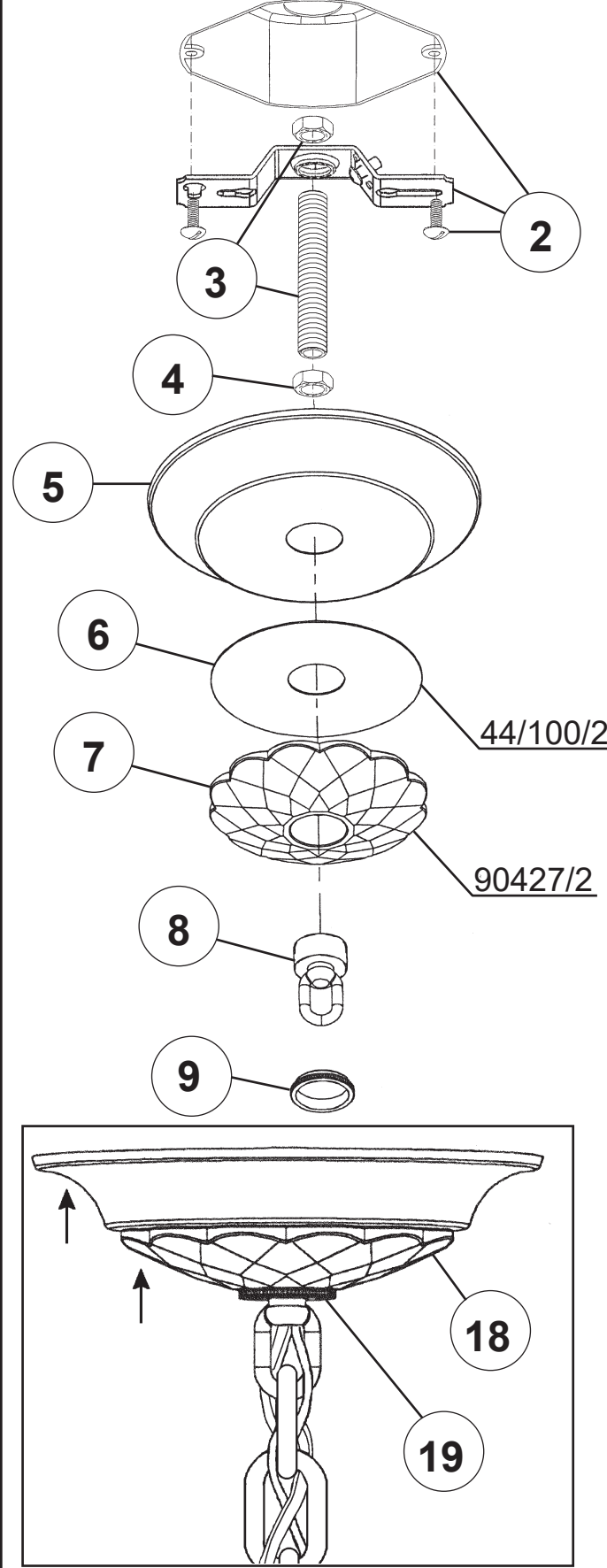


**WARNING:**

1  

**Electrical Danger Turn Power Off**

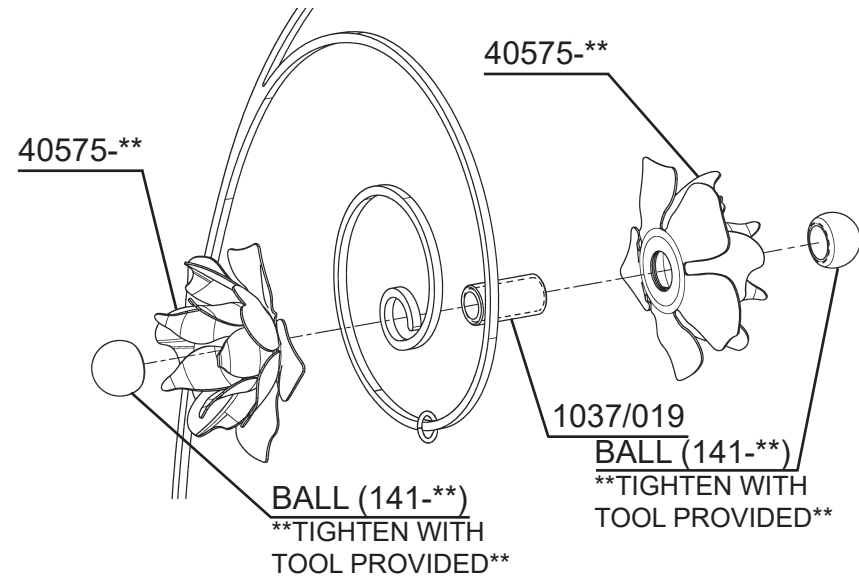
All electrical components must be installed by a licensed electrician in accordance with the National Electric Code and the appropriate local electrical codes.



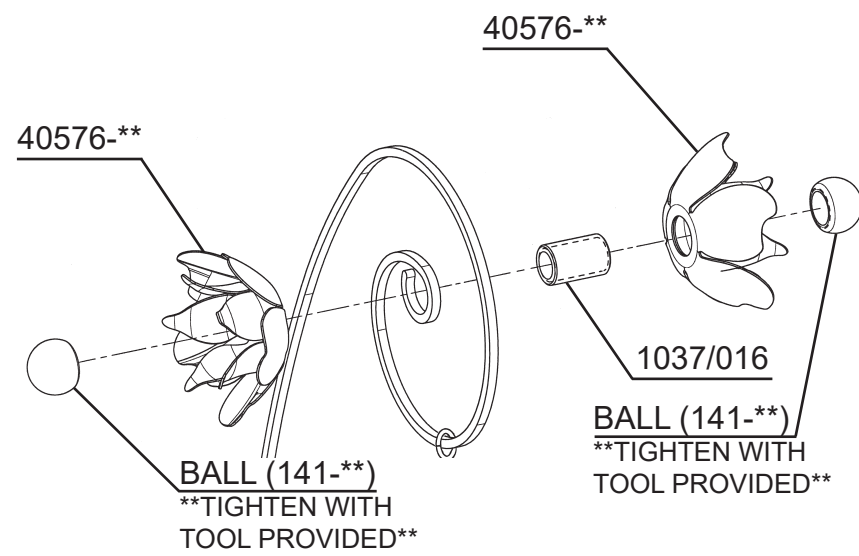


# FLOWER INSTALLATION

## FIGURE 1



## FIGURE 2



\*\*TRIM RINGS (3157S) MUST BE INSTALLED PRIOR TO INSTALLING FLOWERS ON SCROLLS. SEE STEPS ON PAGE 3\*\*

- 1 Attach one ball to either side of running thread.
- 2 Insert the other ball into the rubber tool (provided) with the threads facing outward.
- 3 Insert the ball, with the running thread, through both flowers in the position shown.
- 4 Fasten flowers to fixture using the rubber tool until flower is tight.

