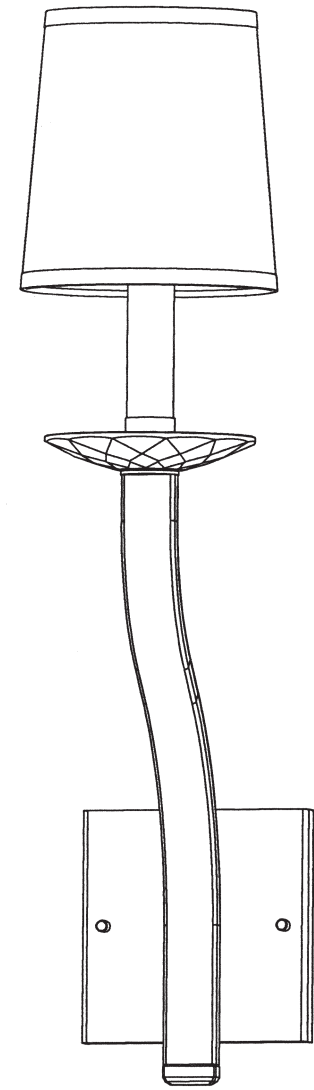


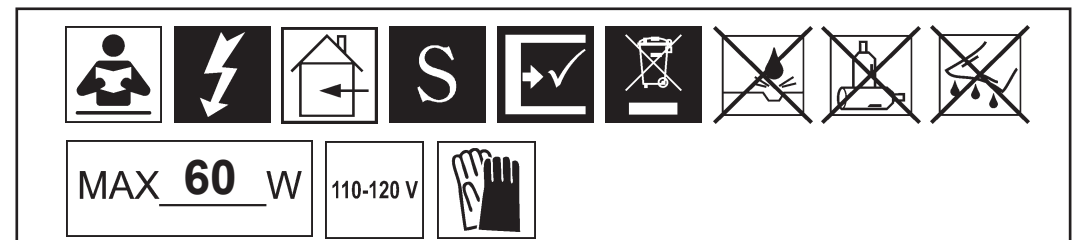
SCHONBEK
Signature[™]

CATALENA
S88601- __ __R

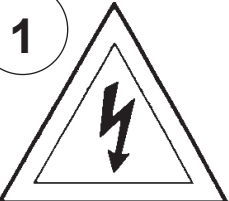


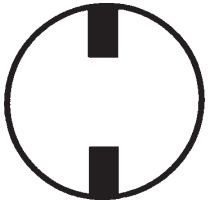
THIS DESIGN IS THE PROPRIETARY
TRADE DRESS/TRADEMARK OF
W SCHONBEK LLC.

SCHONBEK
Signature[™]

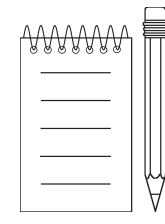
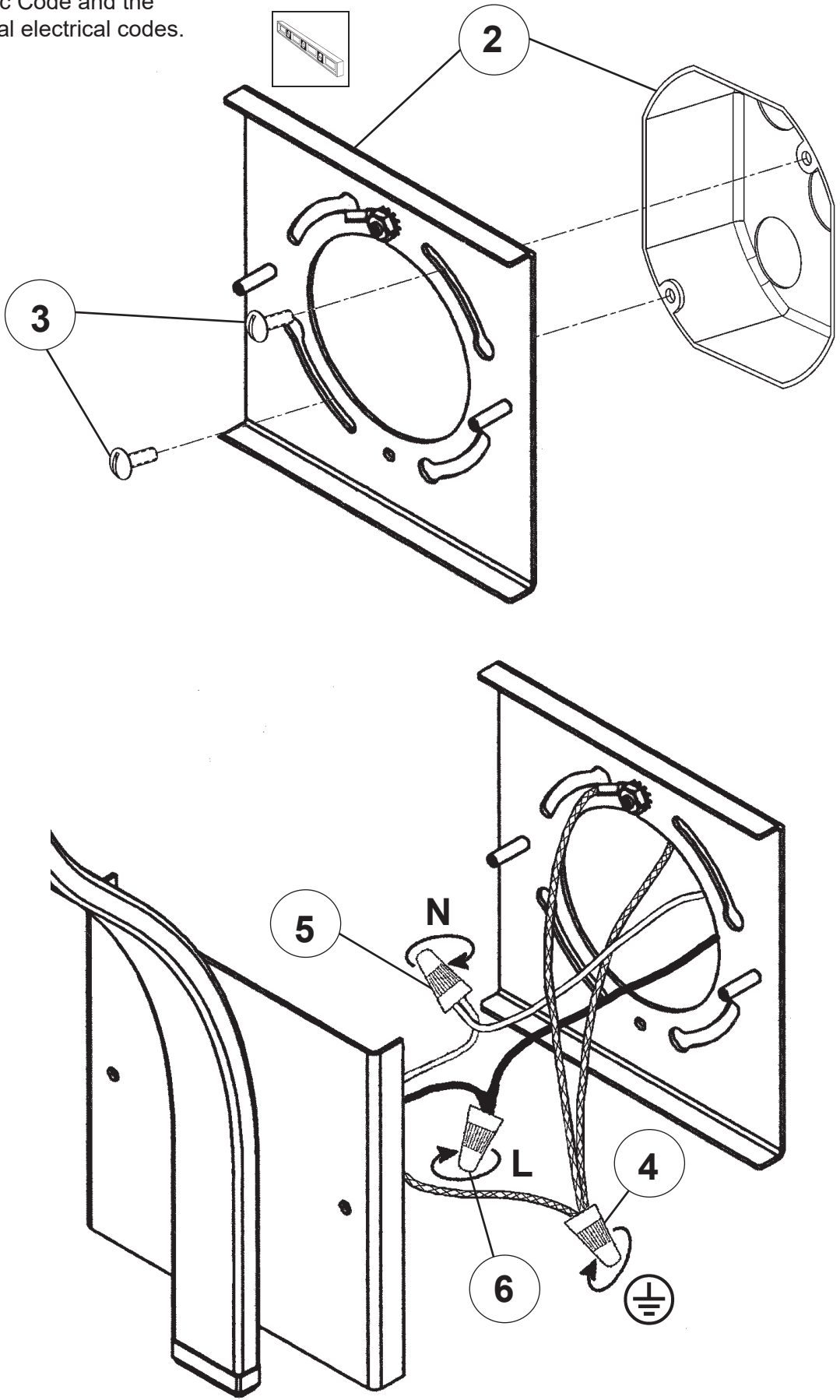


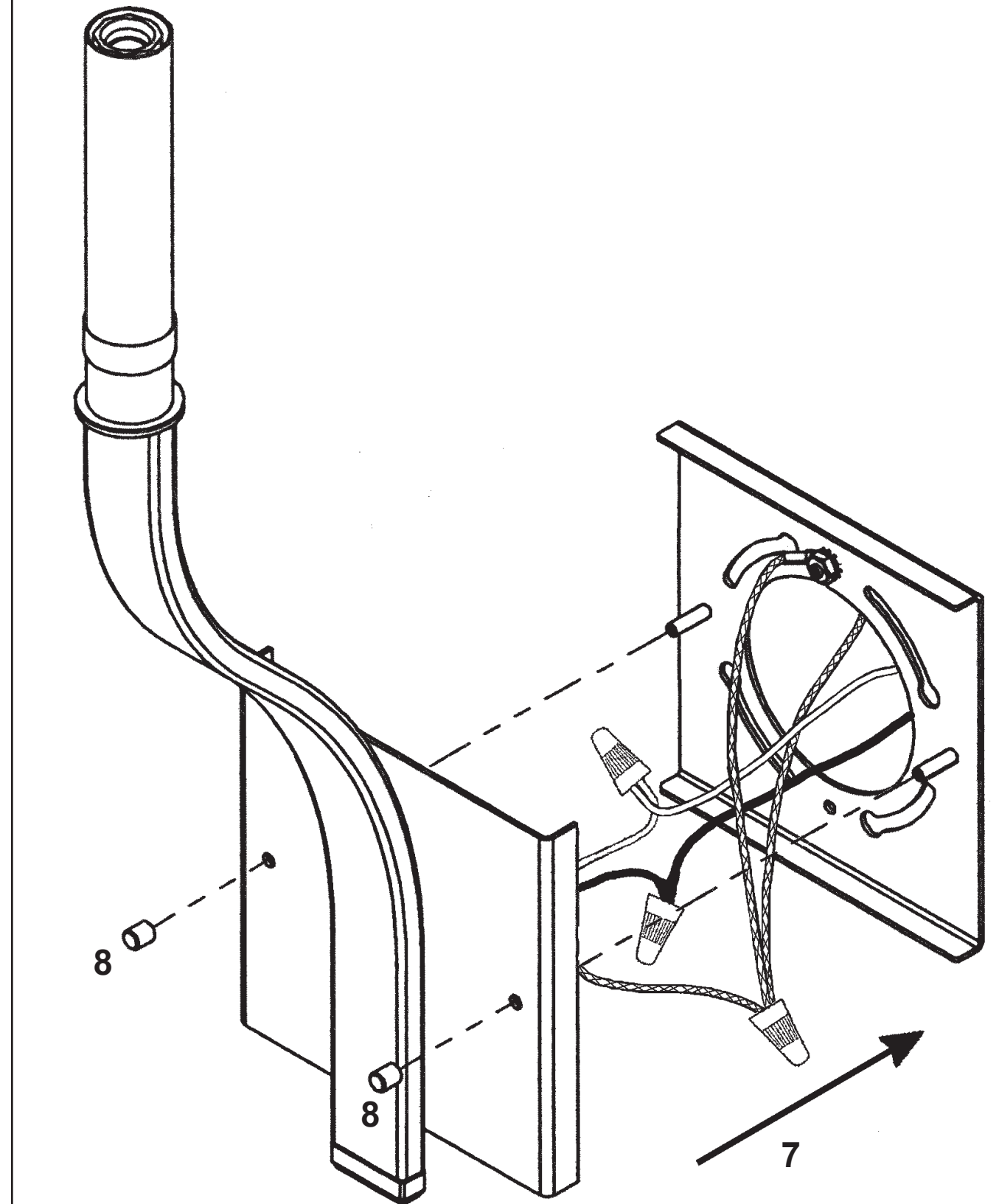
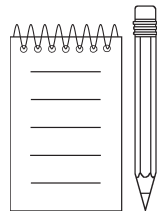
WARNING:

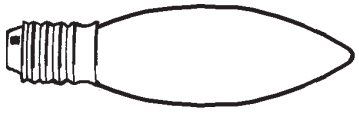
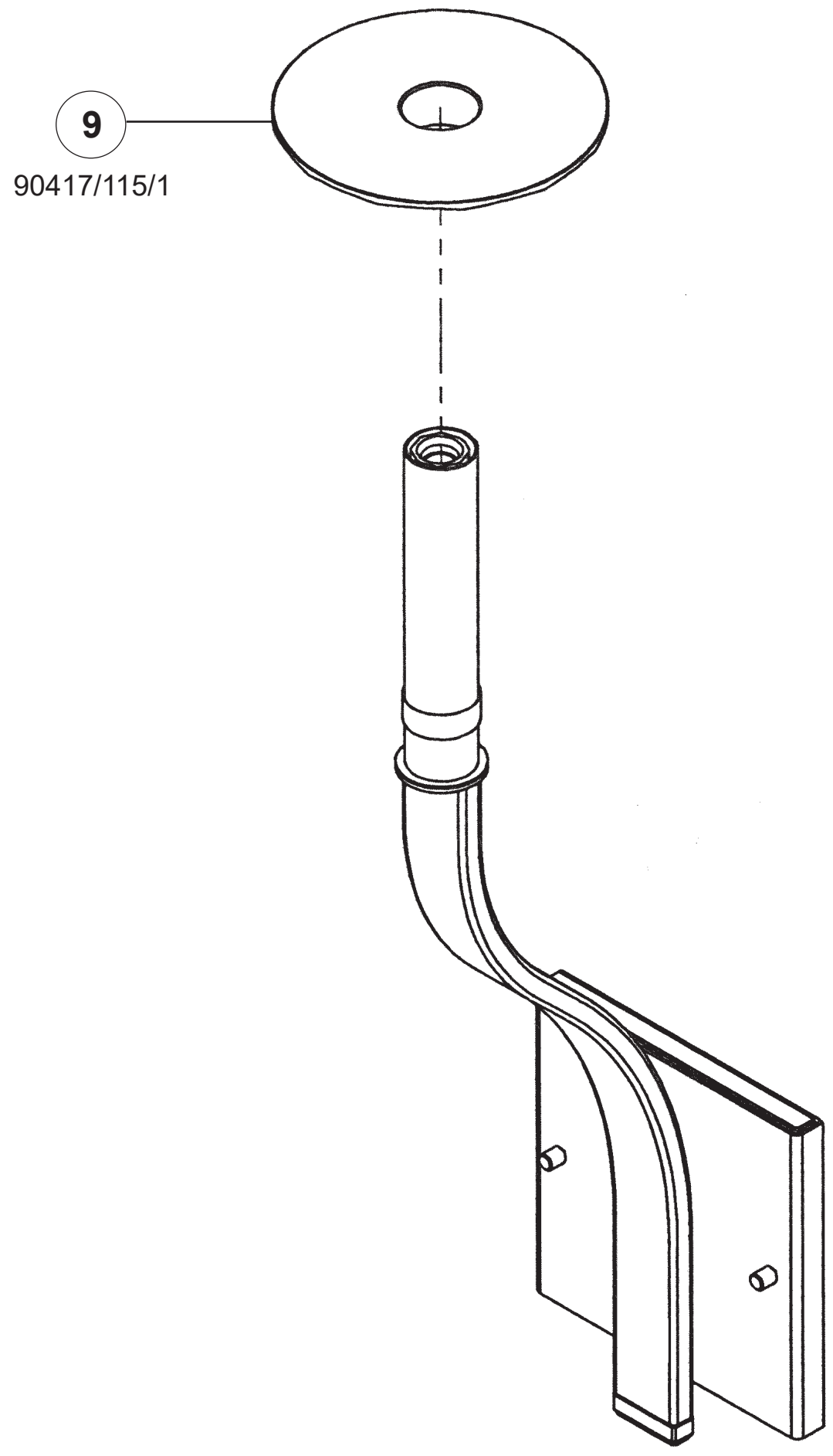
1  **Electrical Danger**

 **Turn Power Off**

All electrical components must be installed by a licensed electrician in accordance with the National Electric Code and the appropriate local electrical codes.







You will need 1 - B10
25 Watts Recommended
60 Watts Max

