

CATALENA
S88608- __ __ R



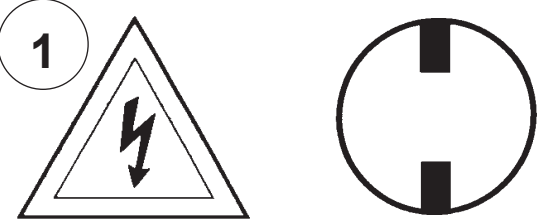
THIS DESIGN IS THE PROPRIETARY
TRADE DRESS/TRADEMARK OF
W SCHONBEK LLC.

SCHONBEK
*Signature*TM

SCHONBEK
*Signature*TM

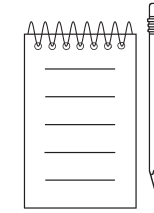
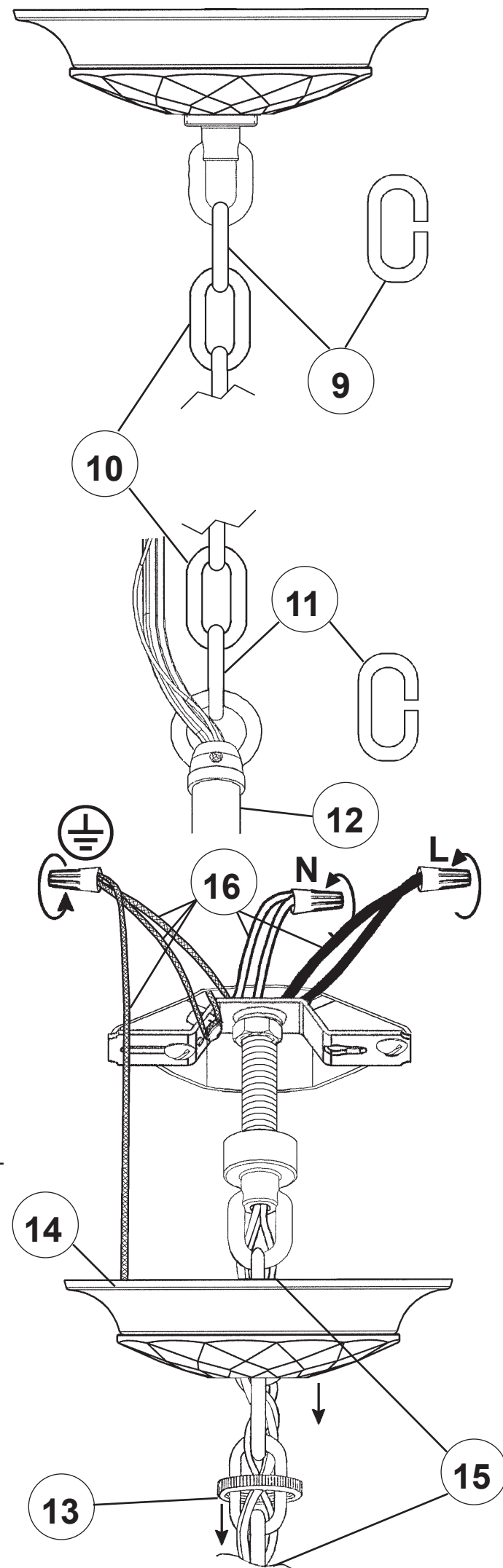
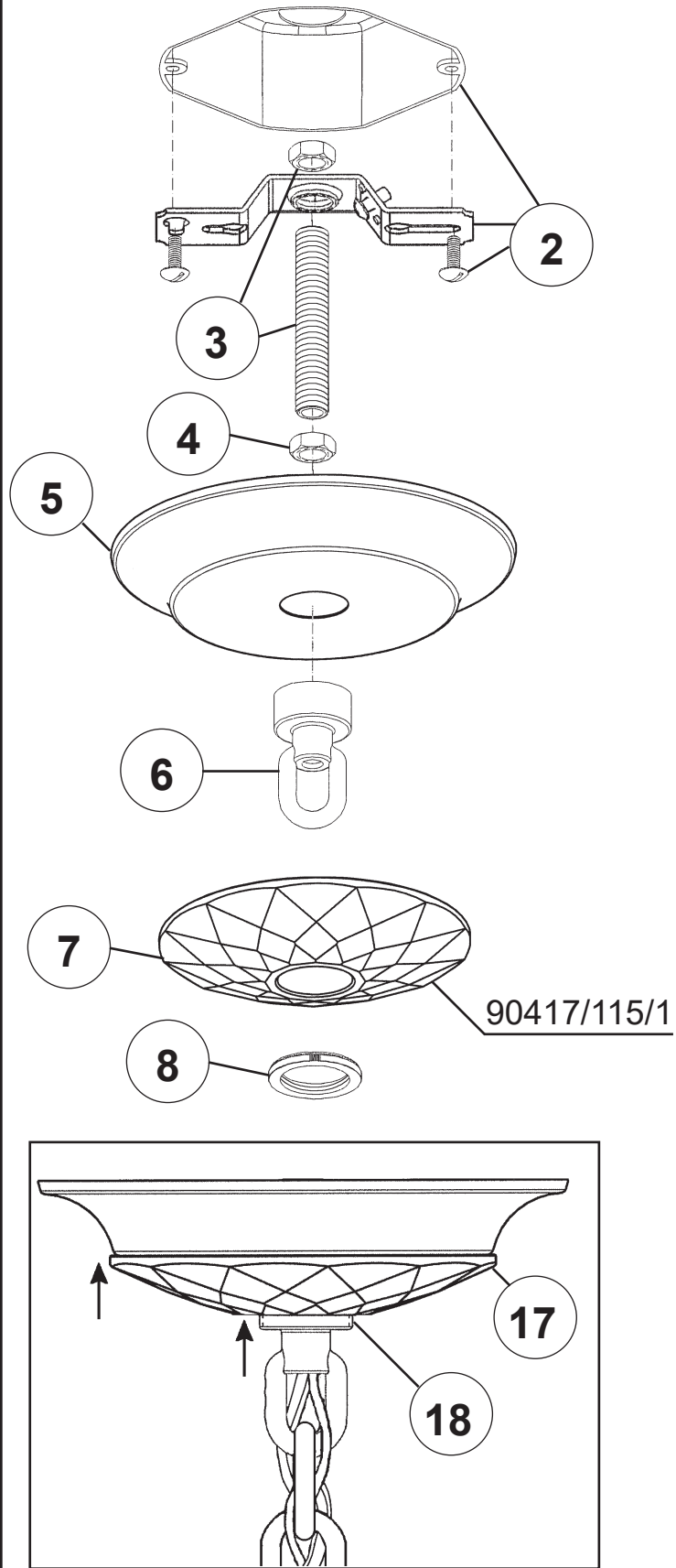
MAX 60 W	110-120 V							

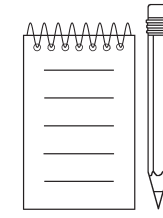
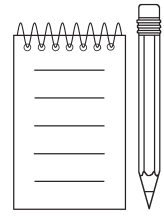
WARNING:



1 Electrical Danger Turn Power Off

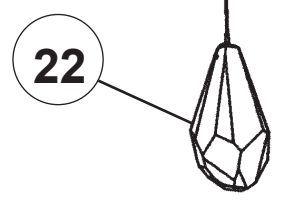
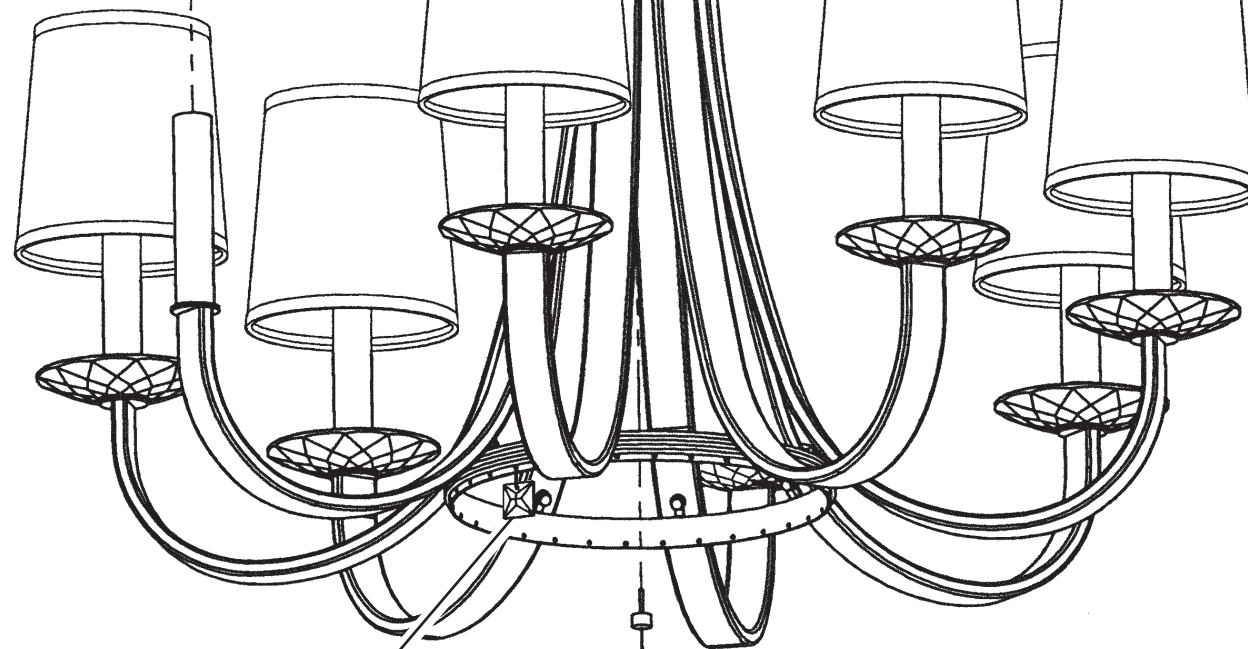
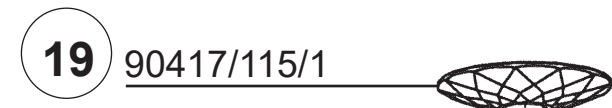
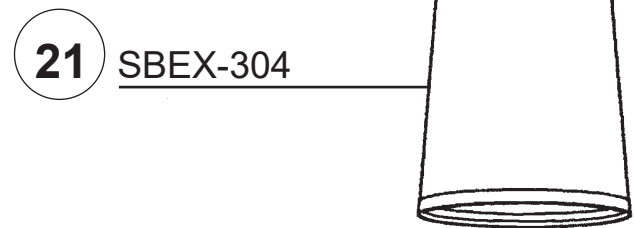
All electrical components must be installed by a licensed electrician in accordance with the National Electric Code and the appropriate local electrical codes.







You will need 8 - B10
25 Watts Recommended
60 Watts Max



NR24366-**