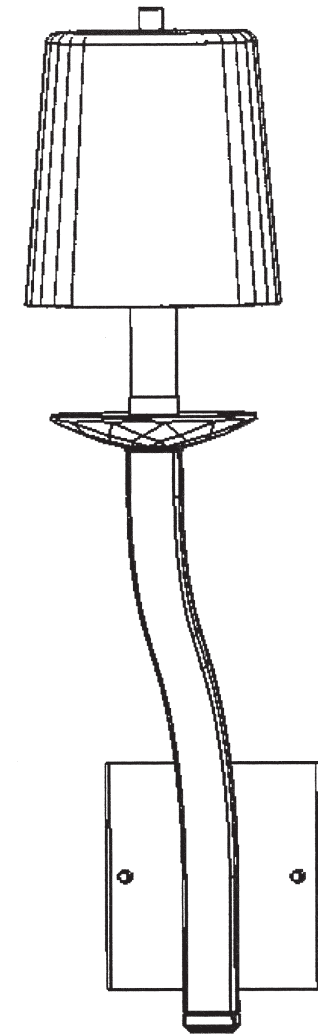


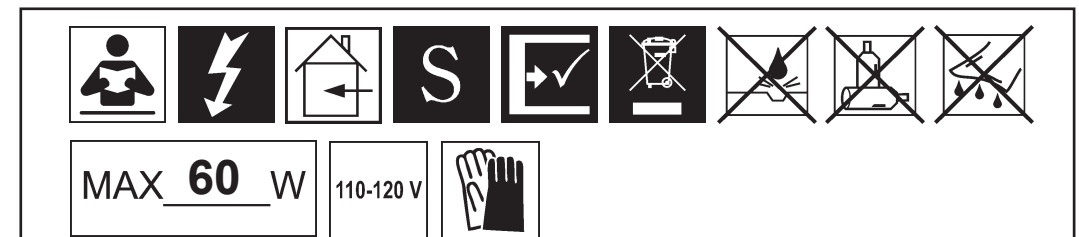
SCHONBEK
Signature[™]

CATALENA
S88611- __ __ R

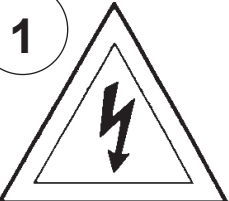
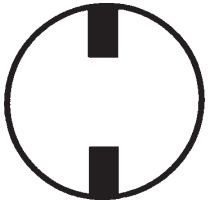


THIS DESIGN IS THE PROPRIETARY
TRADE DRESS/TRADEMARK OF
W SCHONBEK LLC.

SCHONBEK
Signature[™]

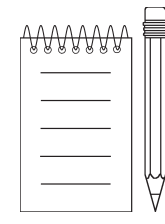
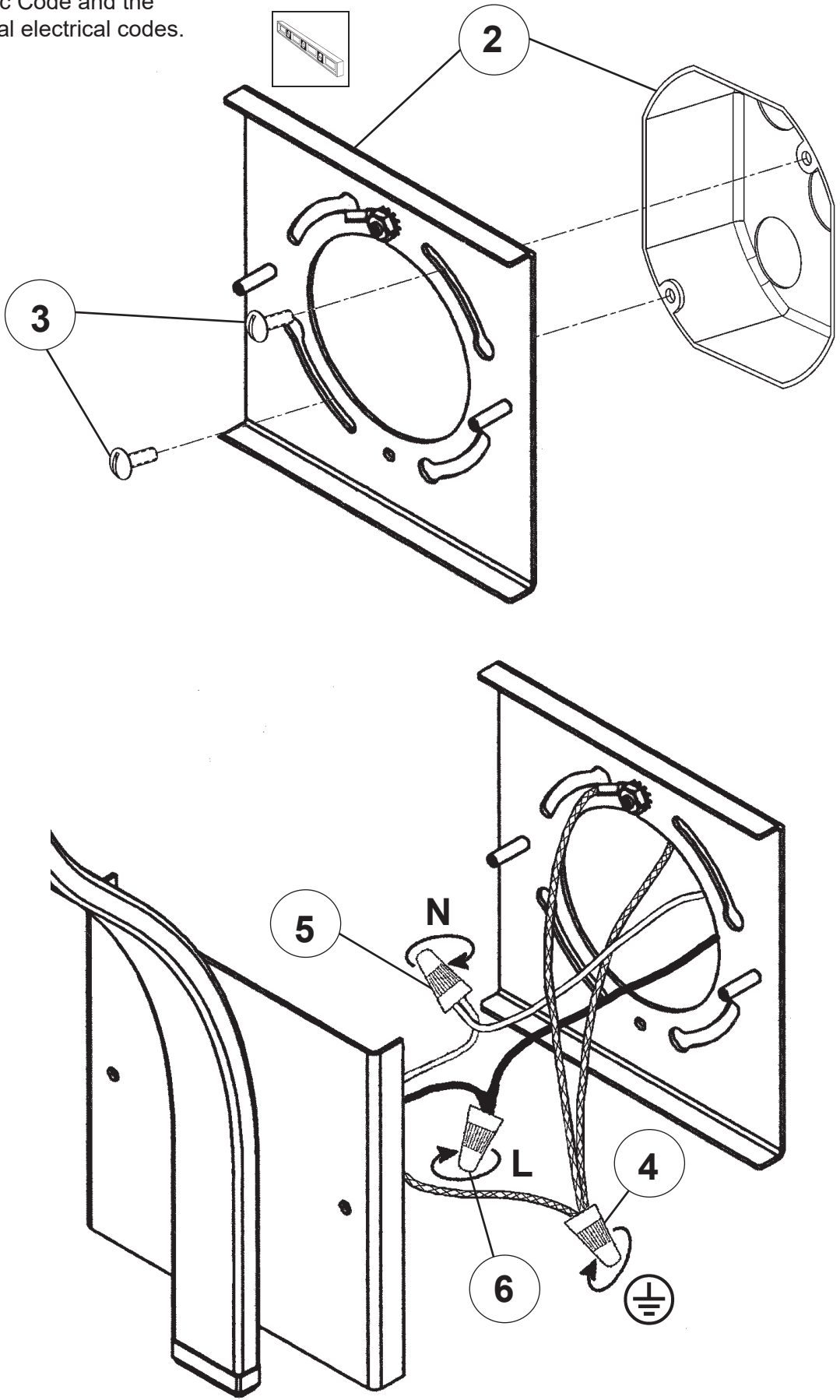


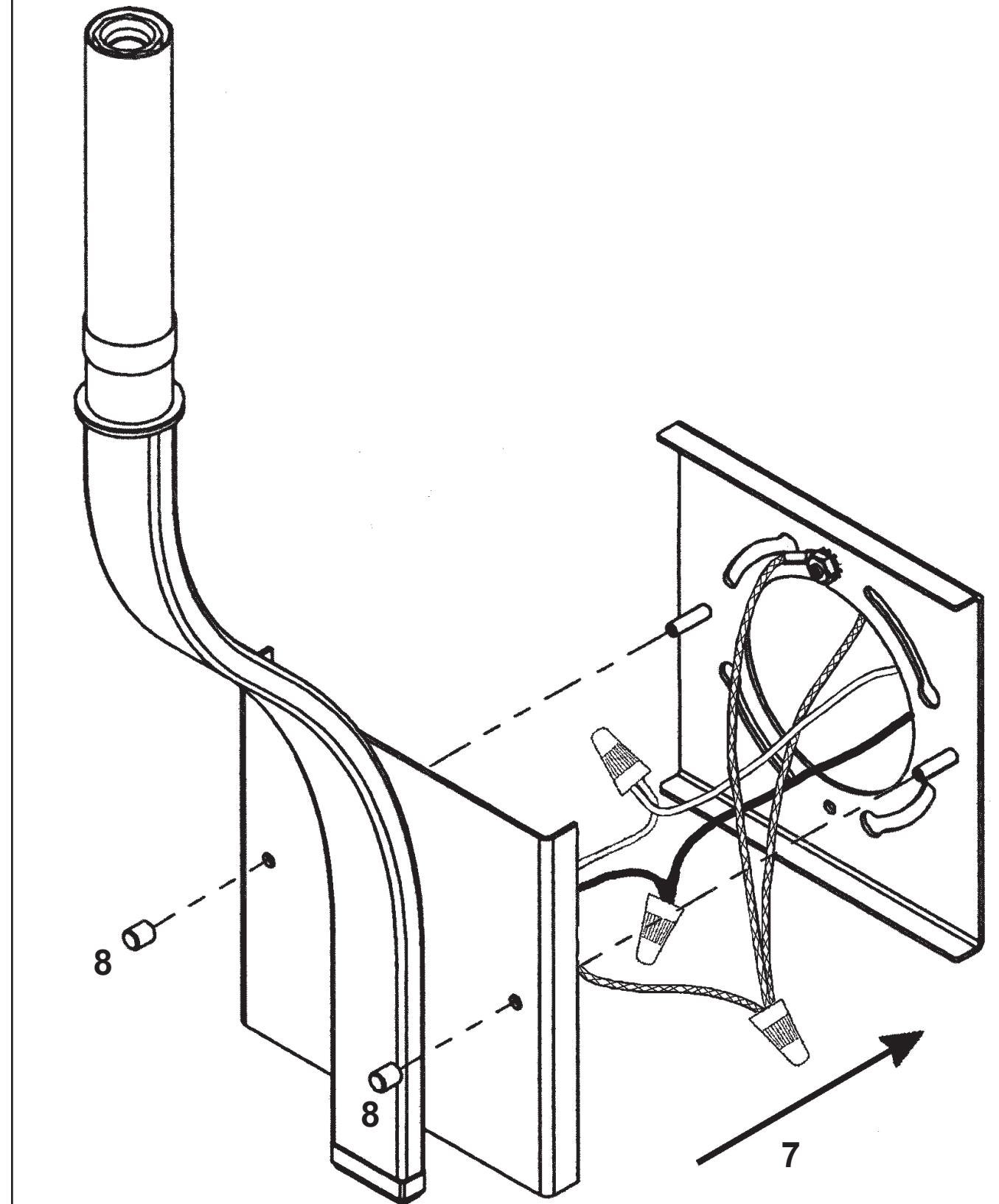
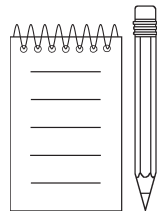
WARNING:

1  

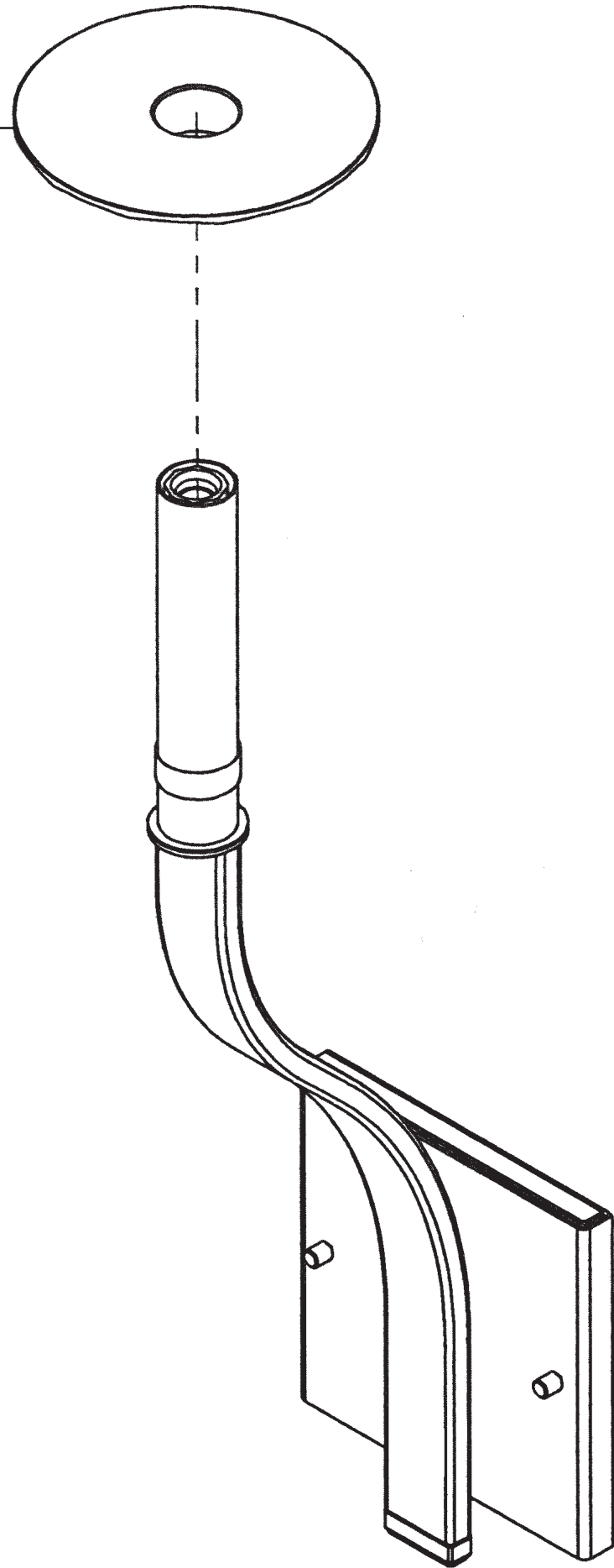
Electrical Danger Turn Power Off


All electrical components must be installed by a licensed electrician in accordance with the National Electric Code and the appropriate local electrical codes.

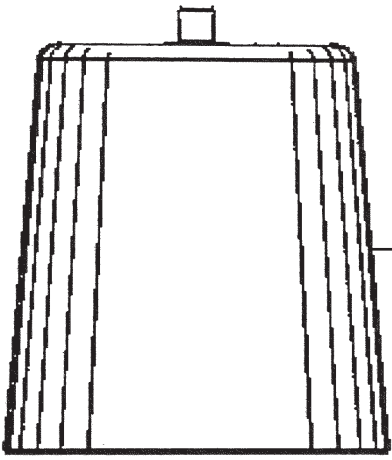




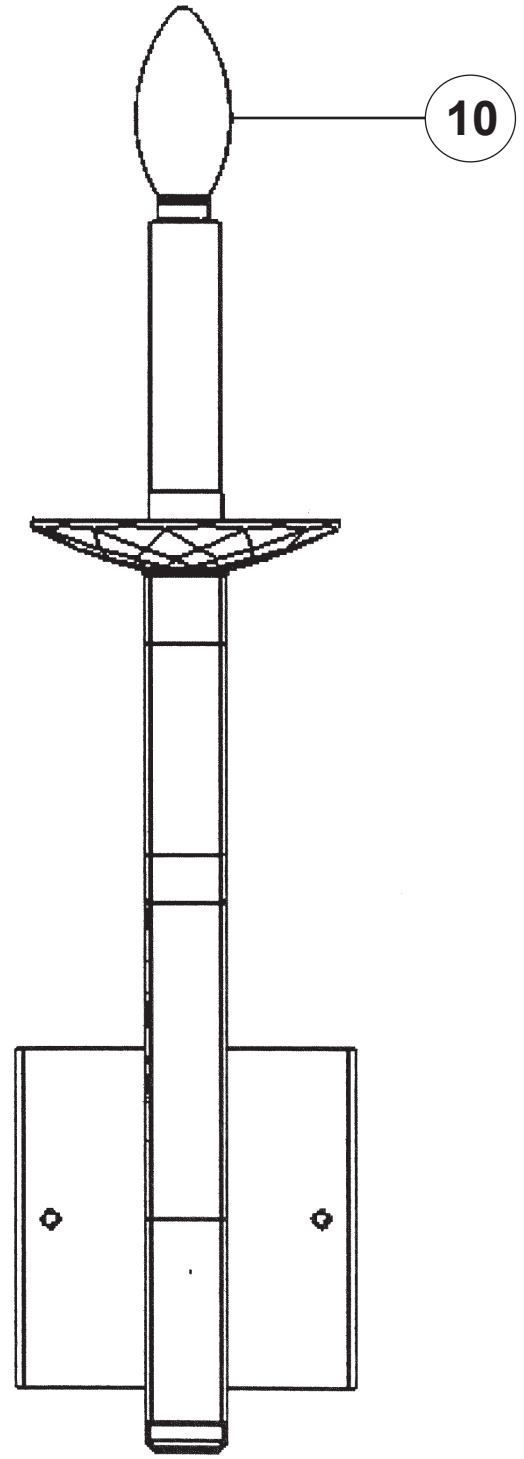
9
90417/115/1




You will need 1 - B10
25 Watts Recommended
60 Watts Max



11
SBEX-GST



10