

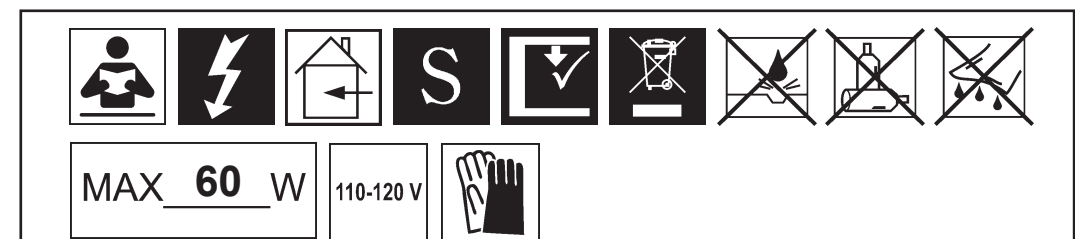
CATALENA  
S88615- \_\_ \_\_ R



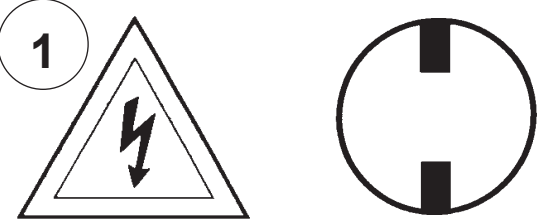
**T**HIS DESIGN IS THE PROPRIETARY  
TRADE DRESS/TRADEMARK OF  
W SCHONBEK LLC.

SCHONBEK  
*Signature*<sup>™</sup>

SCHONBEK  
*Signature*<sup>™</sup>

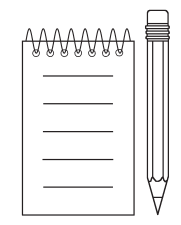
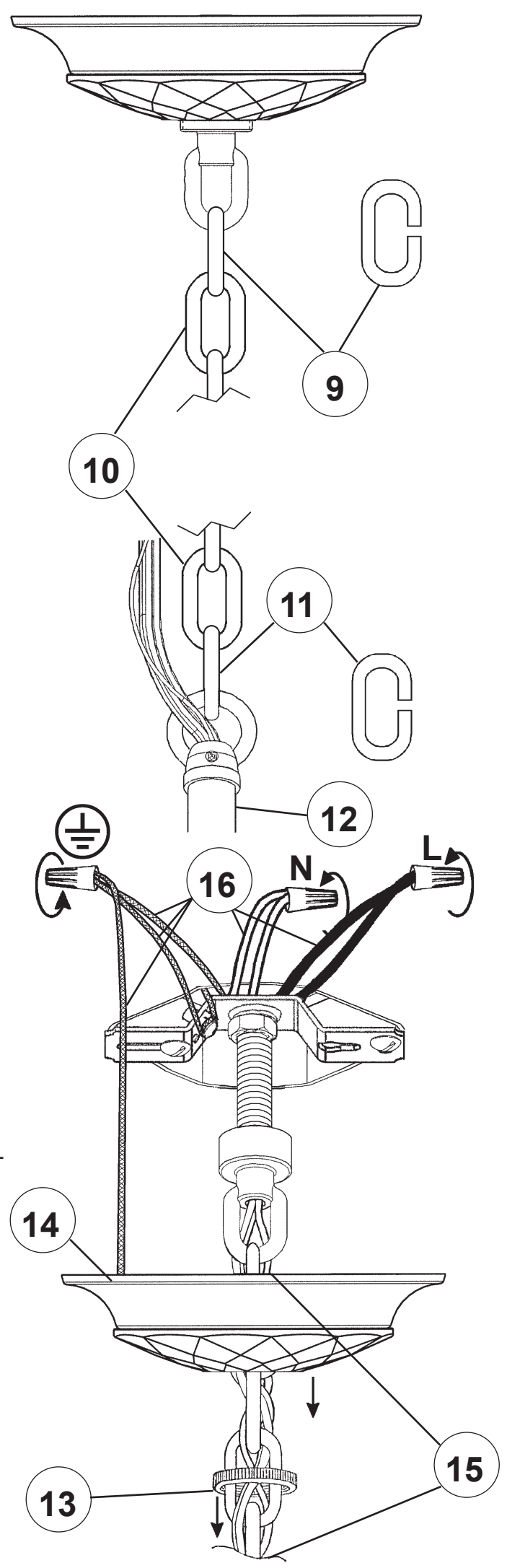
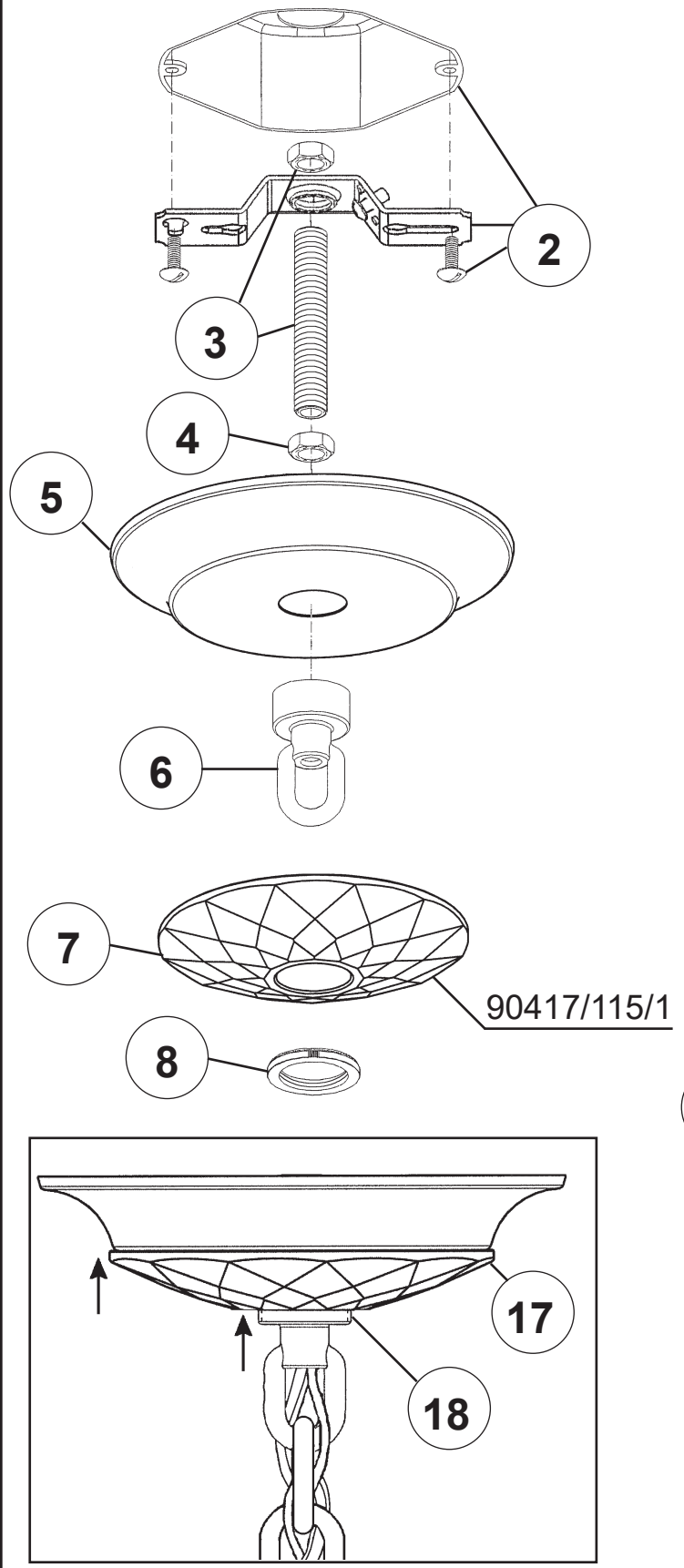


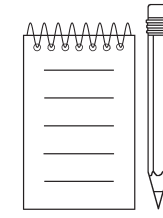
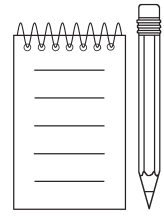
**WARNING:**



**1** Electrical Danger Turn Power Off

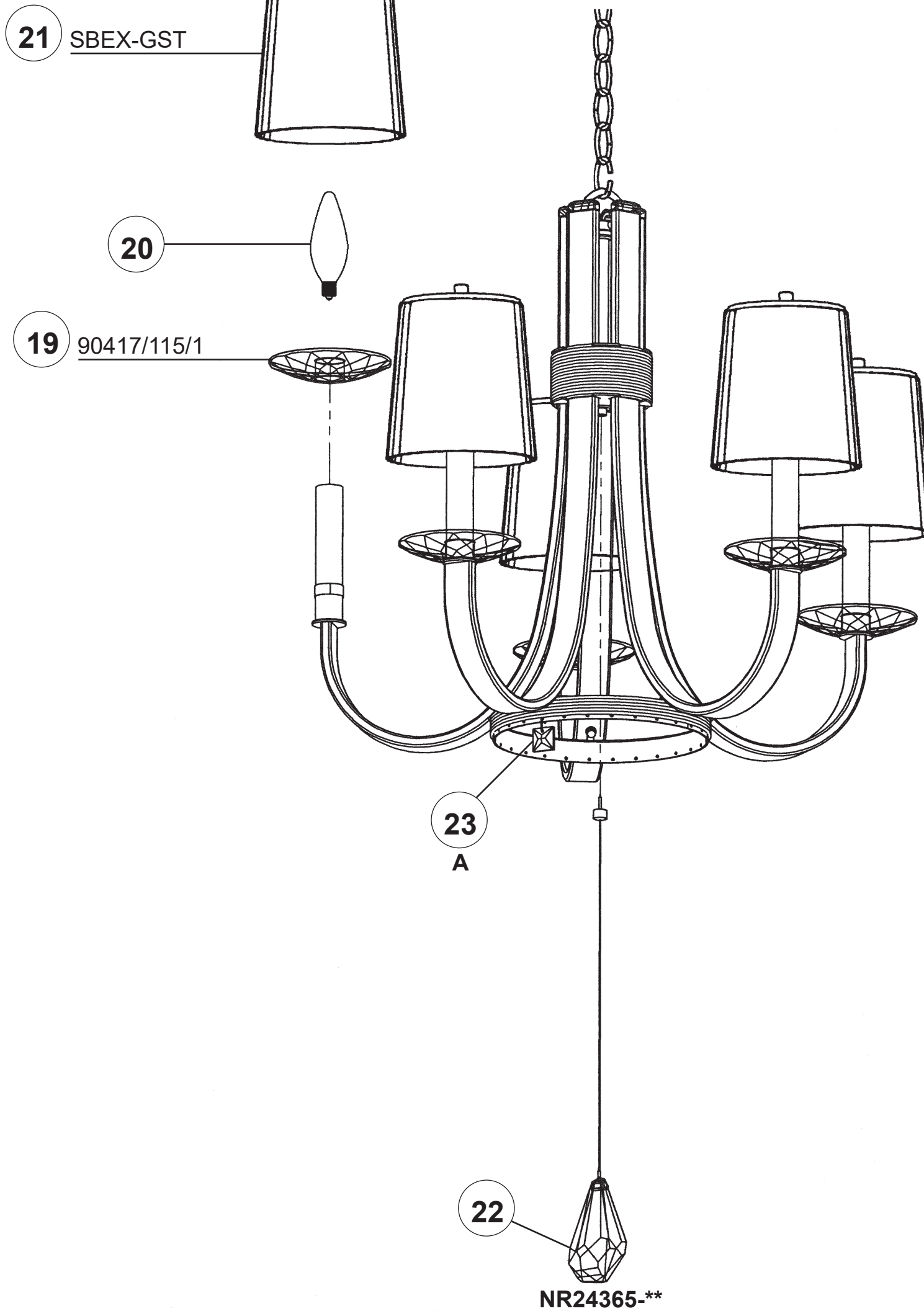
All electrical components must be installed by a licensed electrician in accordance with the National Electric Code and the appropriate local electrical codes.







You will need 5 - B10  
25 Watts Recommended  
60 Watts Max



NR24365-\*\*