

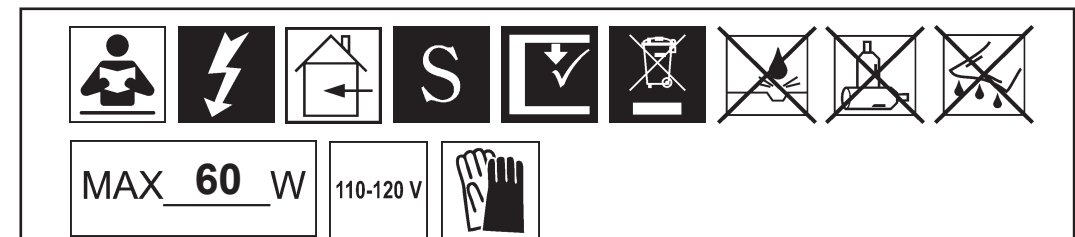
SCHONBEK
Signature[™]

CATALENA
S88618-__ __R

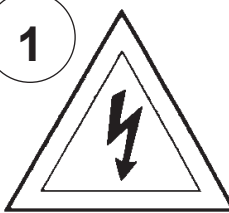
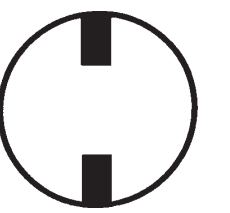


THIS DESIGN IS THE PROPRIETARY
TRADE DRESS/TRADEMARK OF
W SCHONBEK LLC.

SCHONBEK
Signature[™]

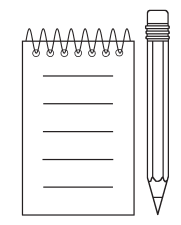
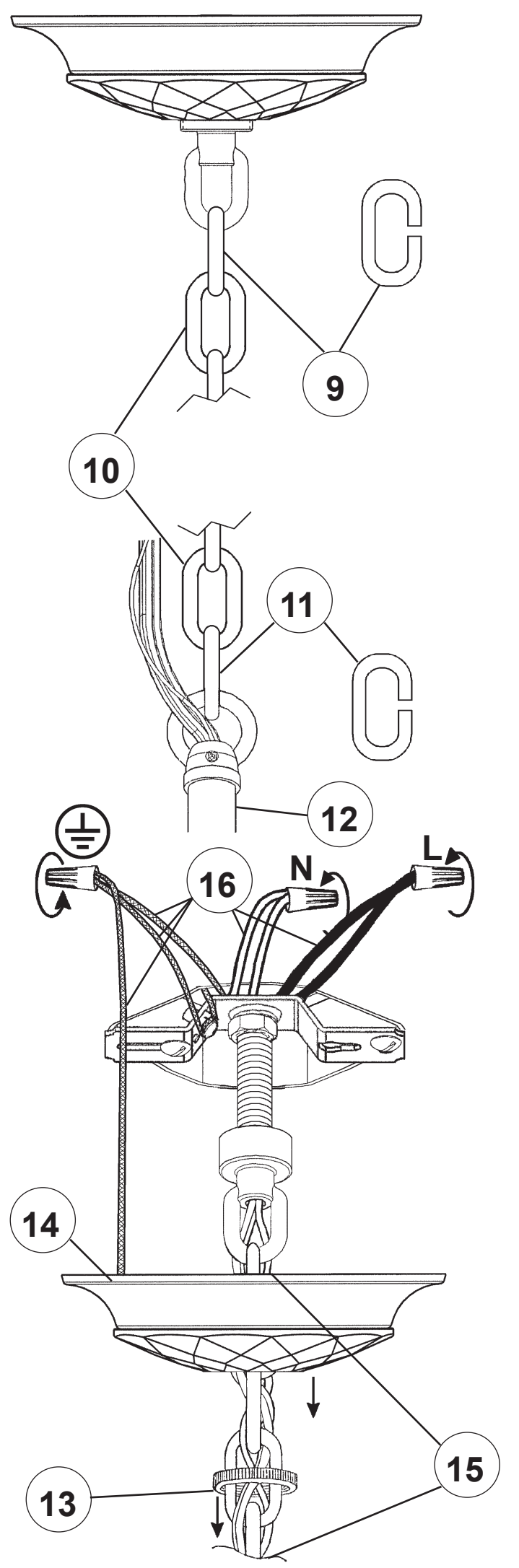
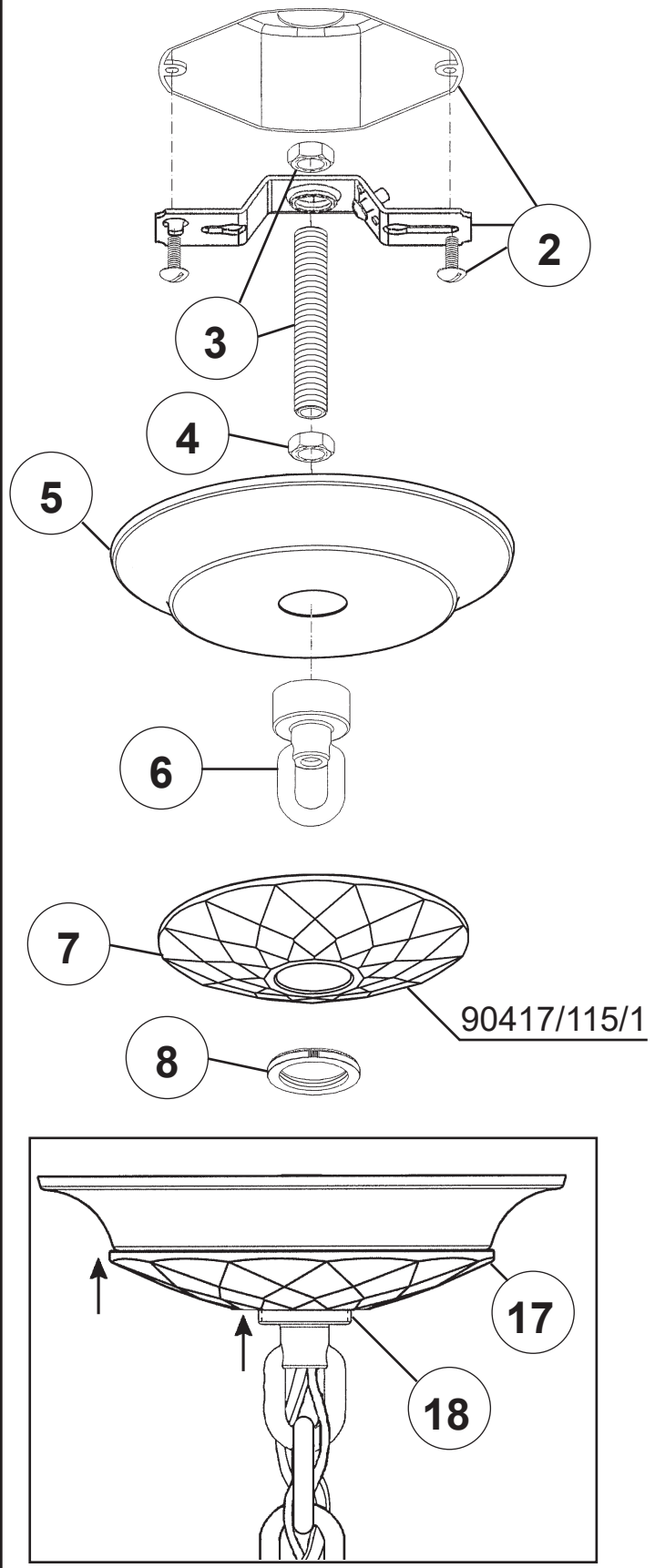


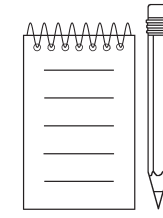
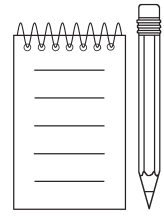
WARNING:

1  

Electrical Danger Turn Power Off

All electrical components must be installed by a licensed electrician in accordance with the National Electric Code and the appropriate local electrical codes.

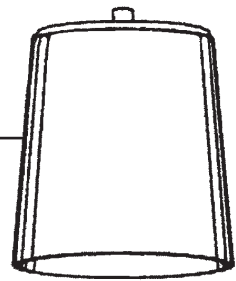






You will need 8 - B10
25 Watts Recommended
60 Watts Max

21 SBEX-GST



20



19 90417/115/1



23

A

22

NR24366-**

