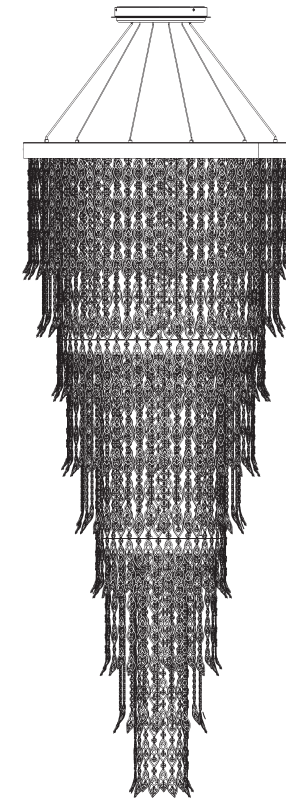


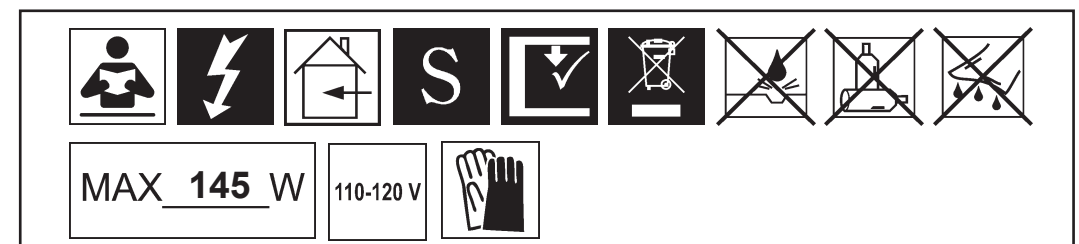
SCHONBEK  
*Signature*<sup>TM</sup>

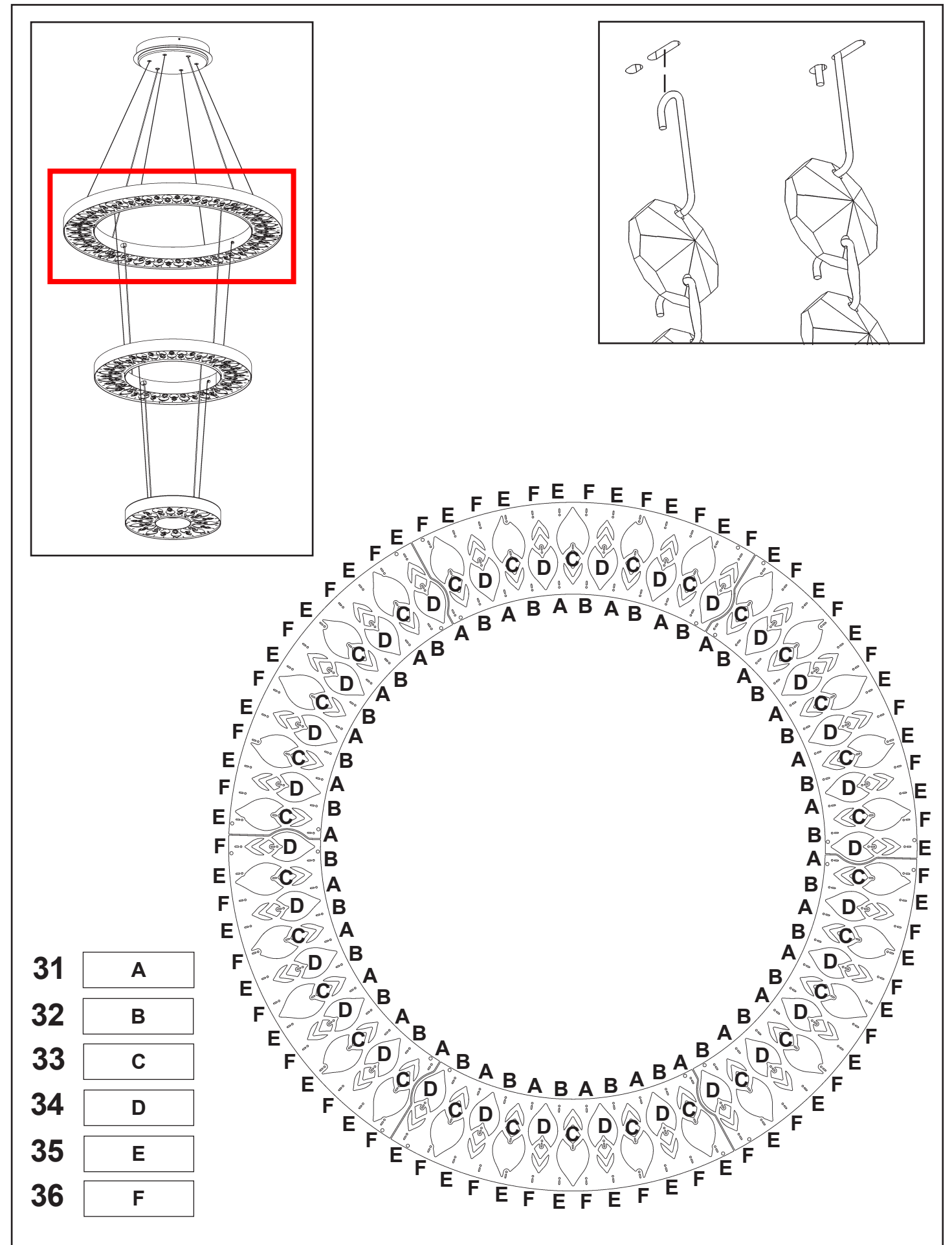
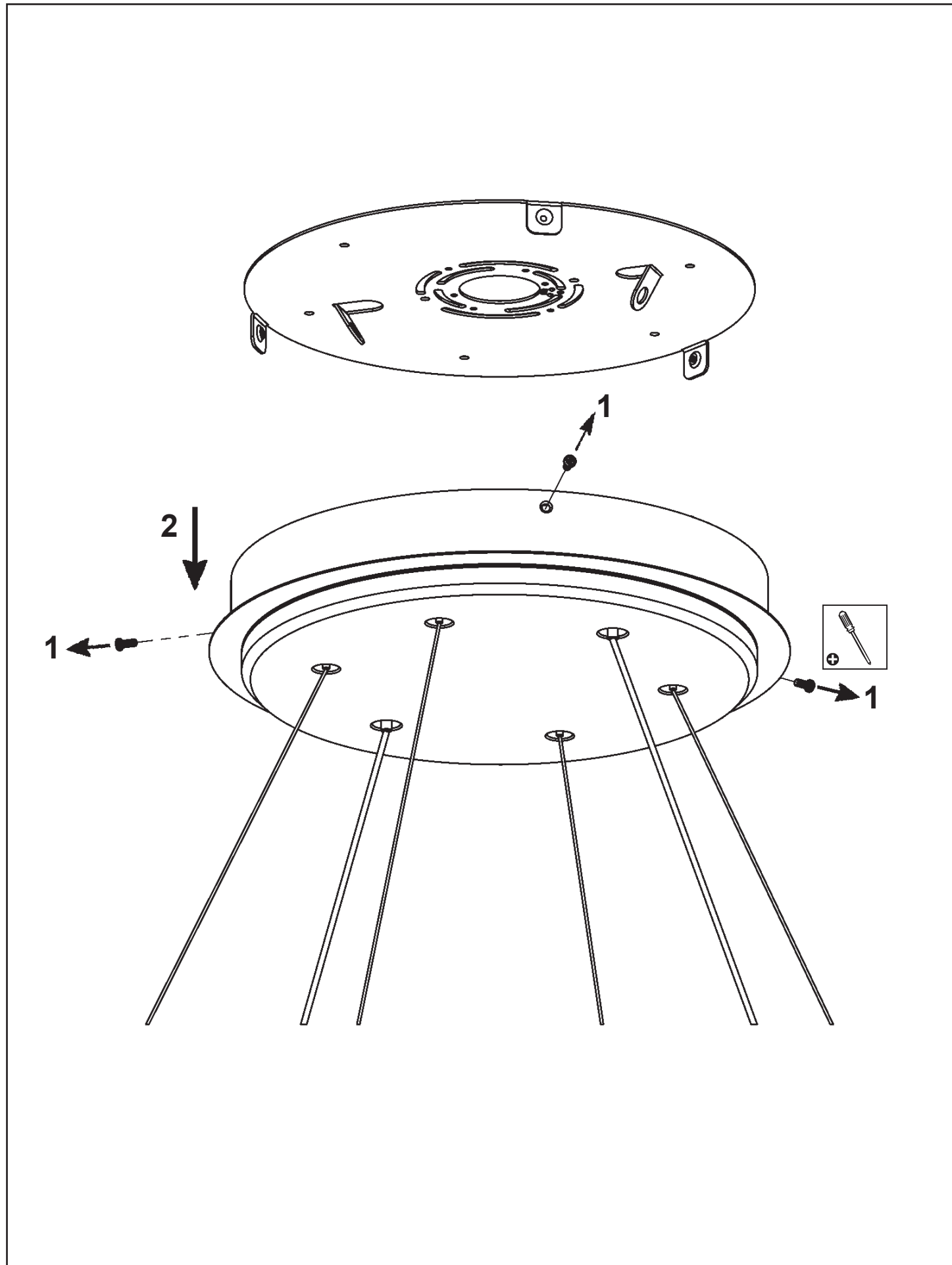
PAVONA  
S9192- \_\_ \_\_ R



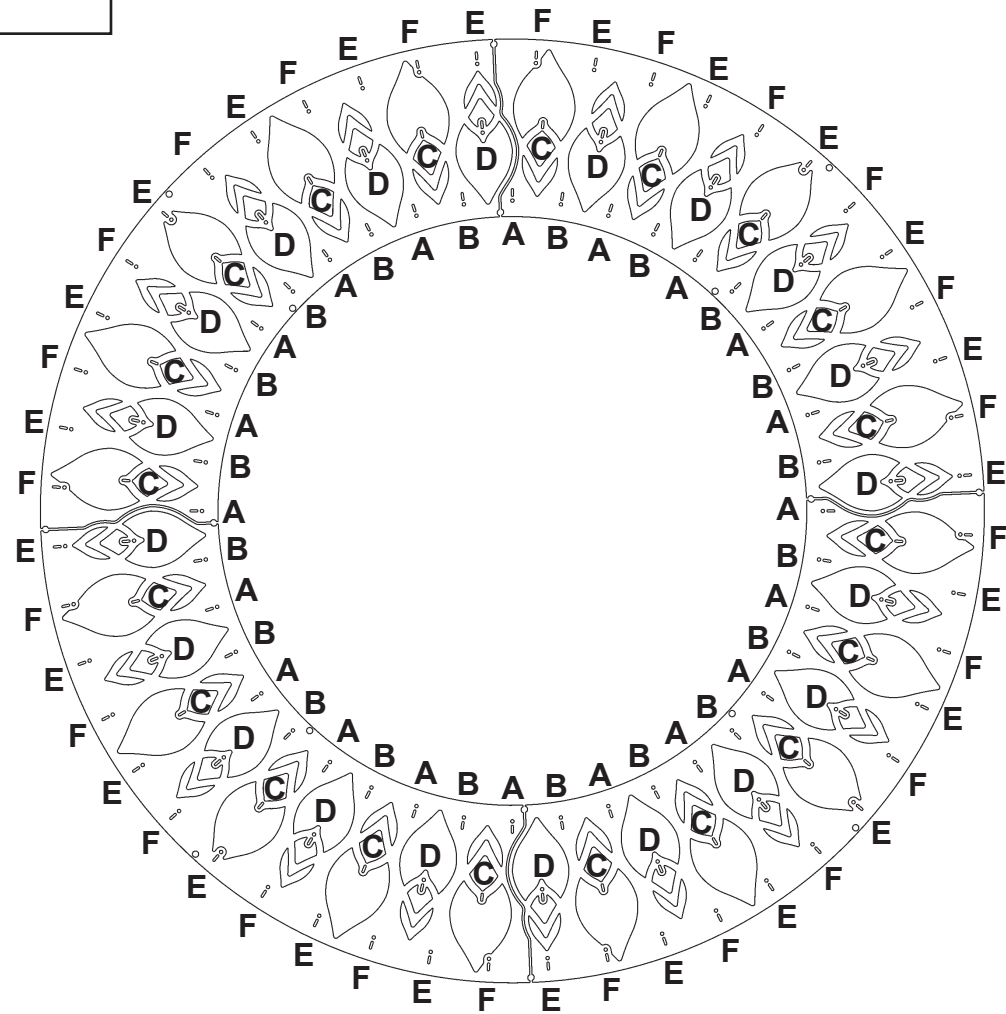
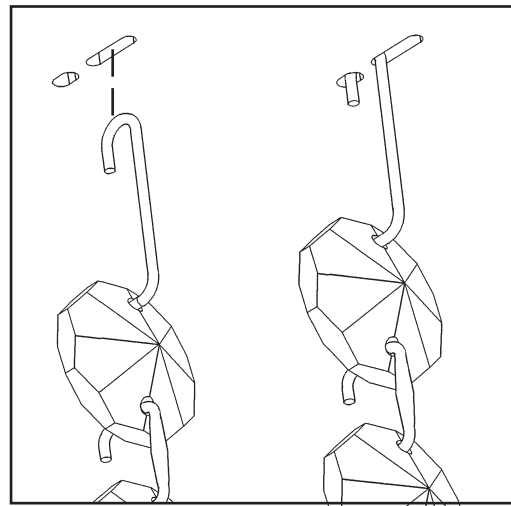
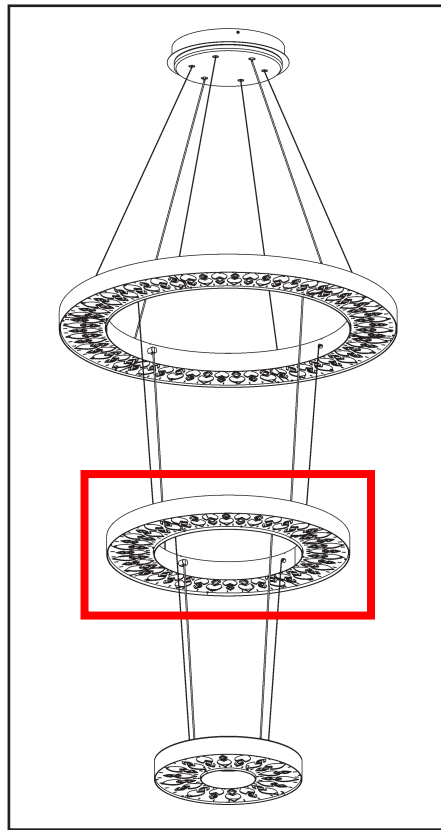
**T**HIS DESIGN IS THE PROPRIETARY  
TRADE DRESS/TRADEMARK OF  
W SCHONBEK LLC.

SCHONBEK  
*Signature*<sup>TM</sup>



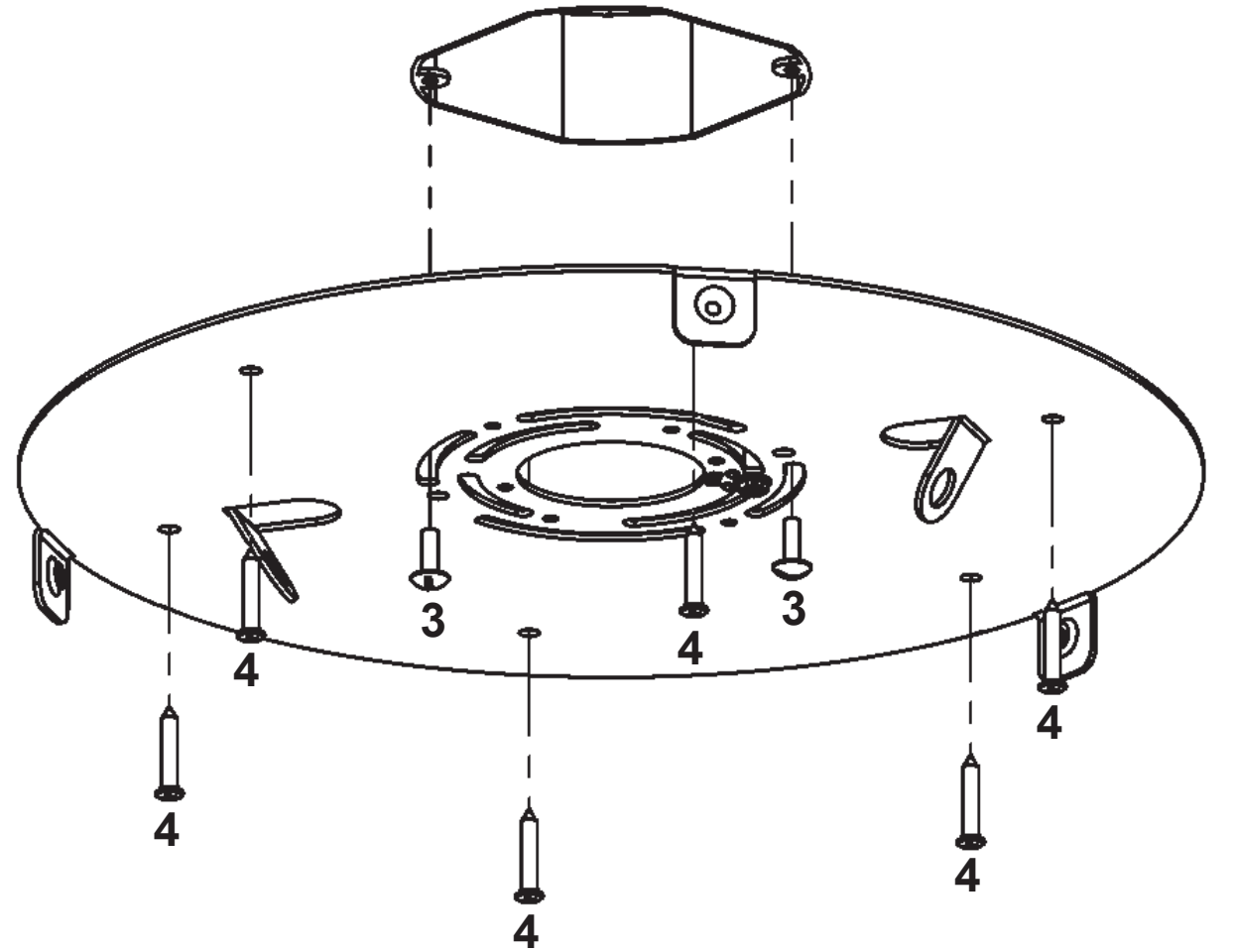


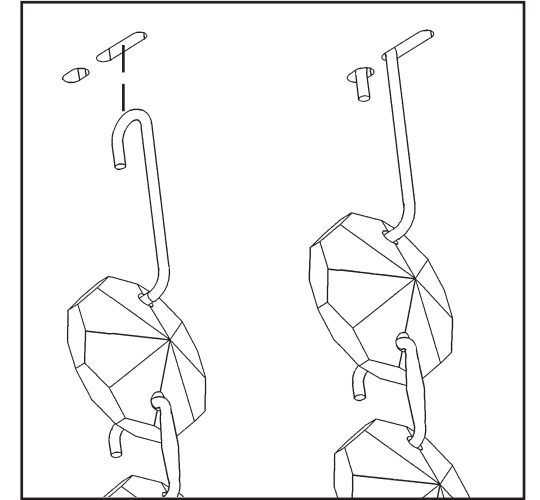
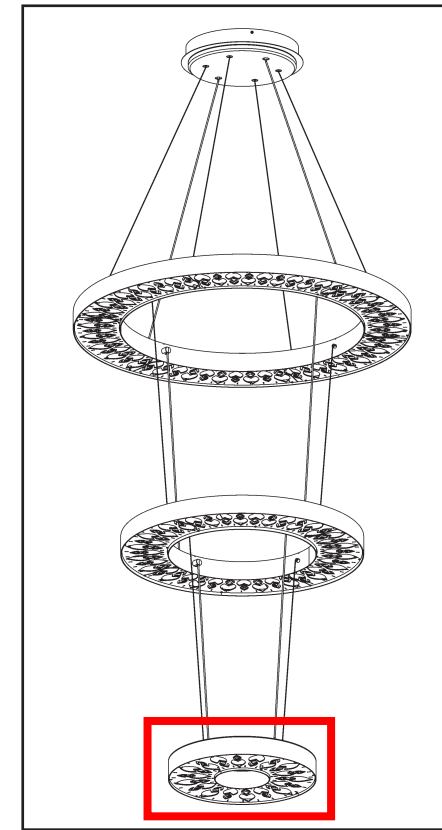
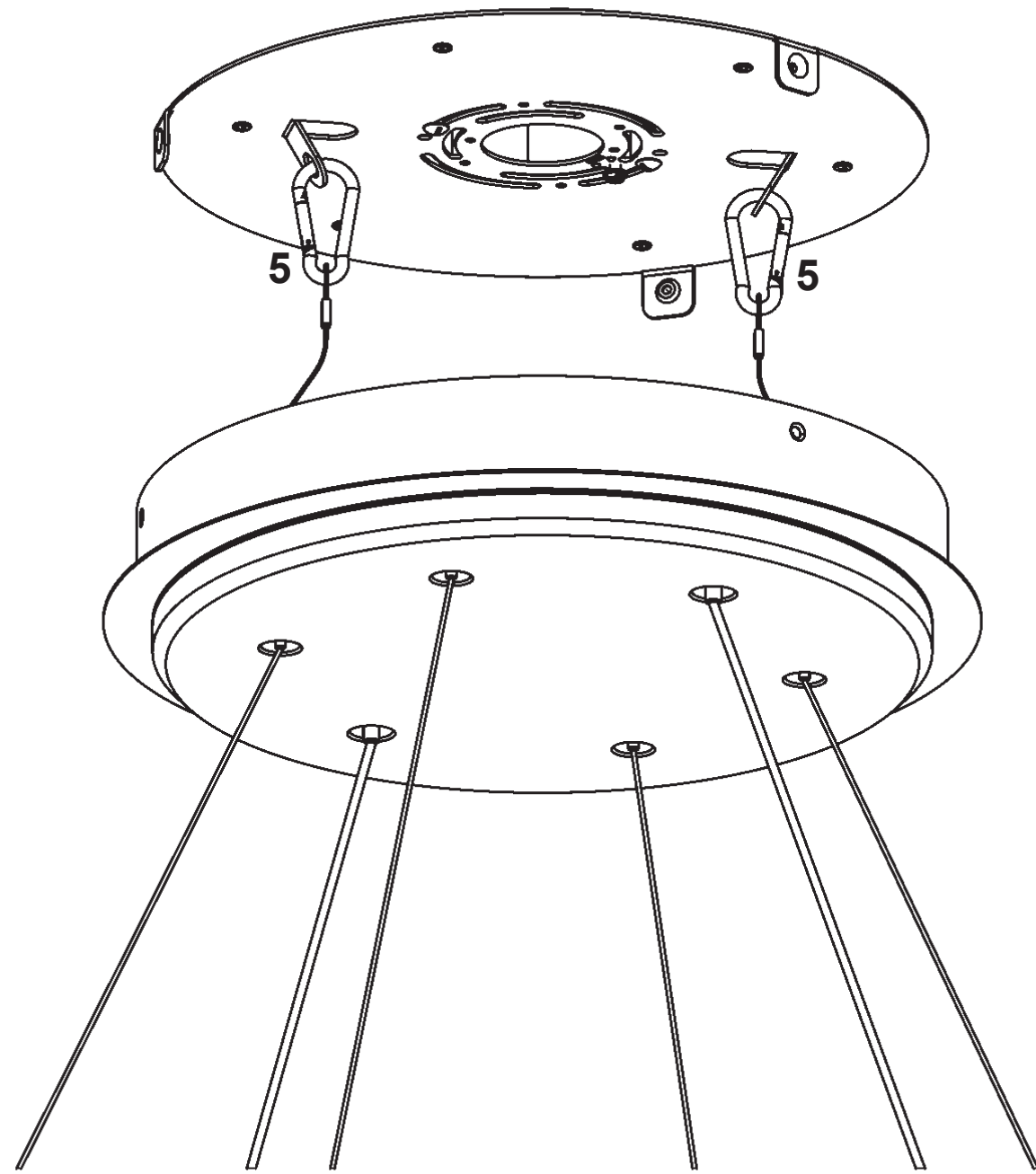
- 31  A
- 32  B
- 33  C
- 34  D
- 35  E
- 36  F



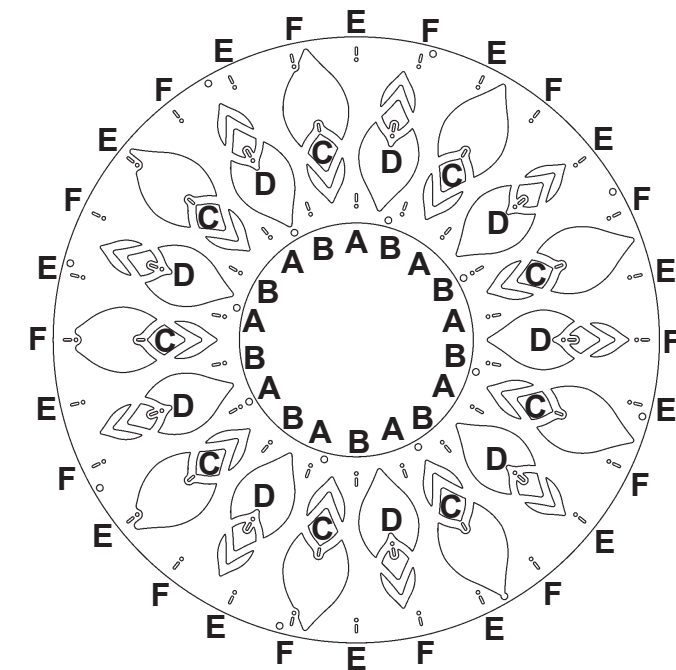
- 25  A
- 26  B
- 27  C
- 28  D
- 29  E
- 30  F

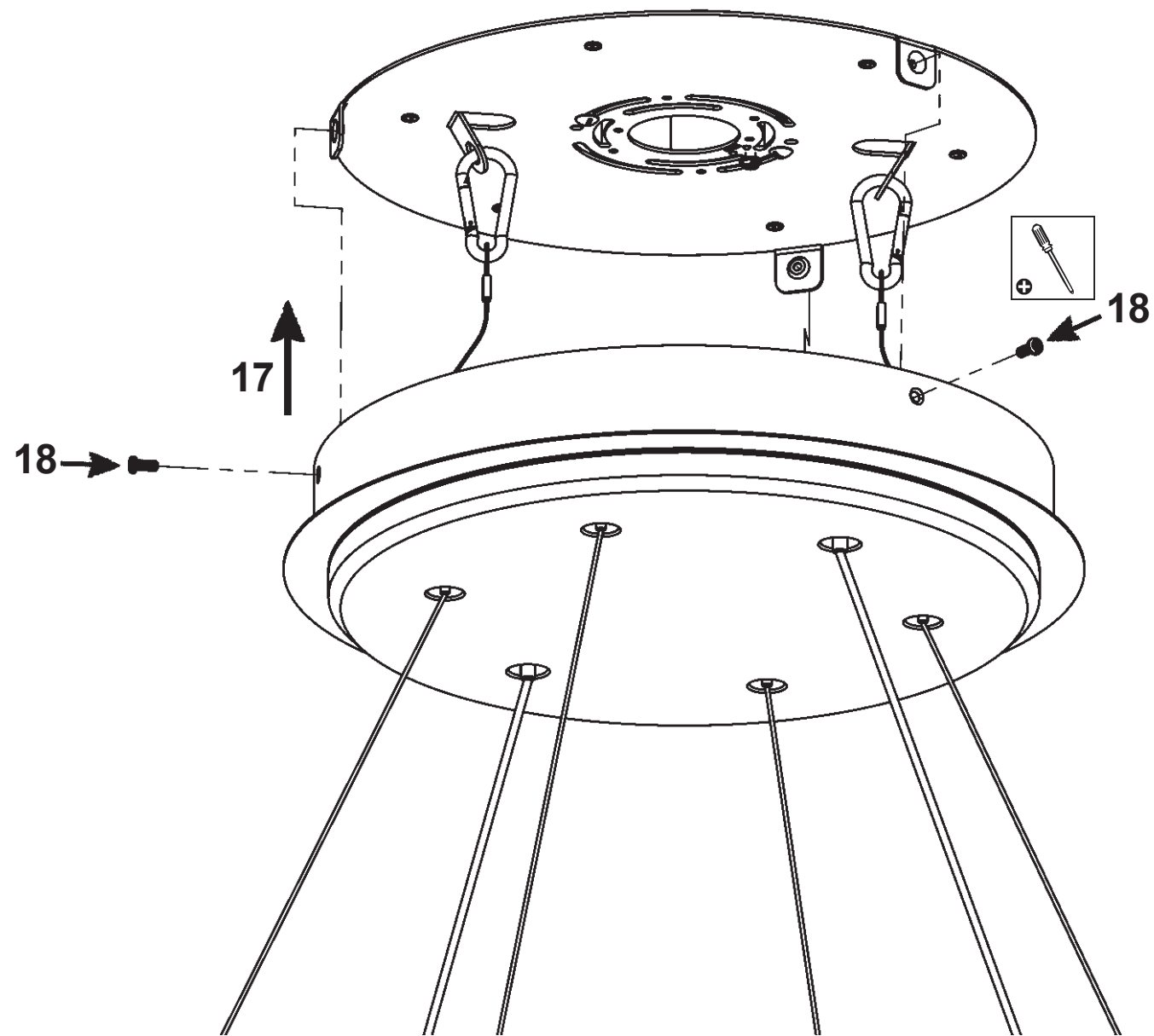
**WARNING:** THIS LUMINAIRE MUST BE MOUNTED OR SUPPORTED INDEPENDENTLY OF AN OUTLET BOX.





- 19  A
- 20  B
- 21  C
- 22  D
- 23  E
- 24  F

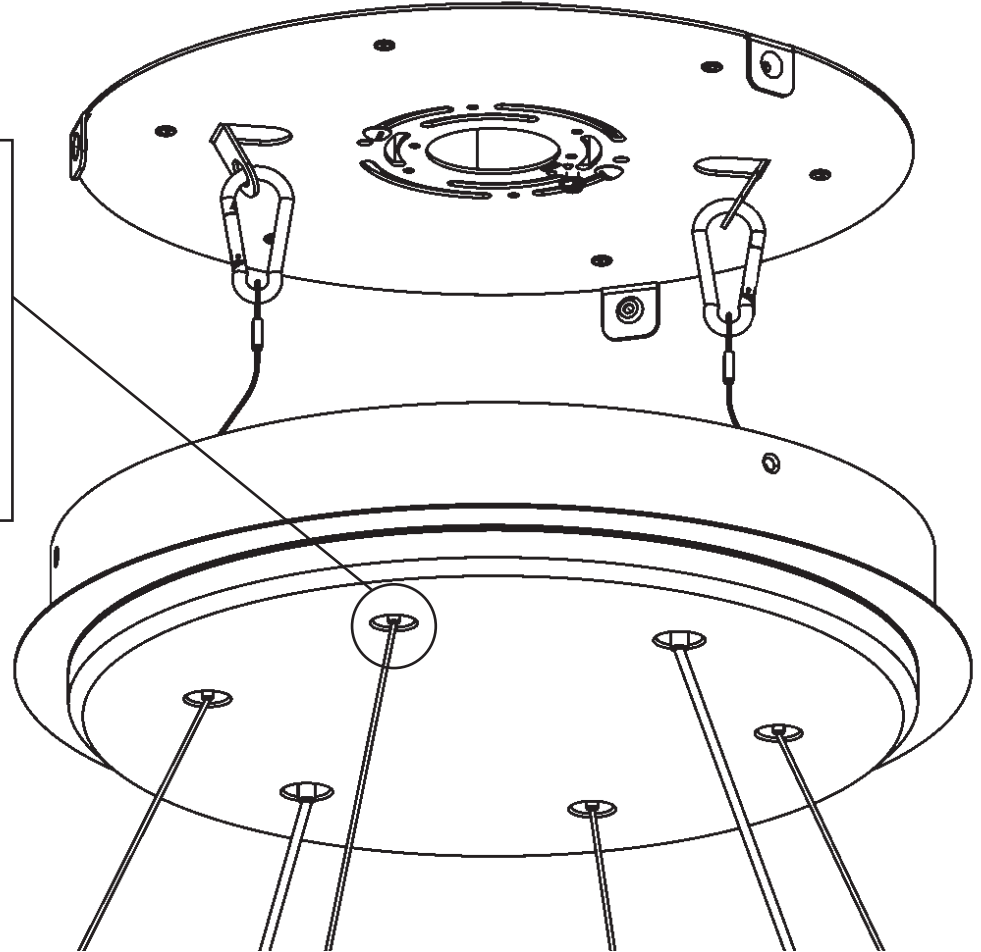




**6**  
 To adjust fixture height, push up on the cable gripper, in the canopy, and gently pull cable until fixture is at desired height.



Push up



**FIGURE 1**

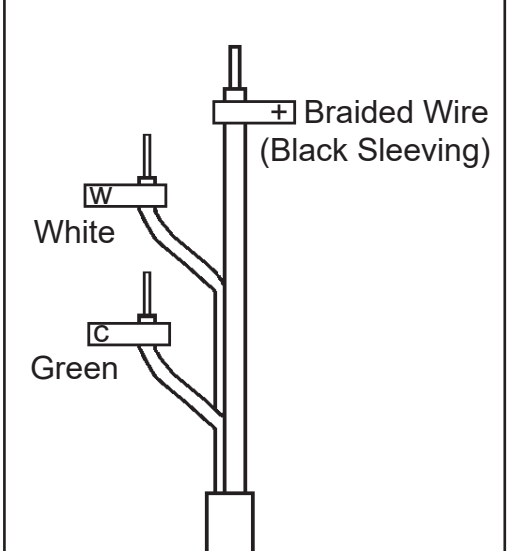
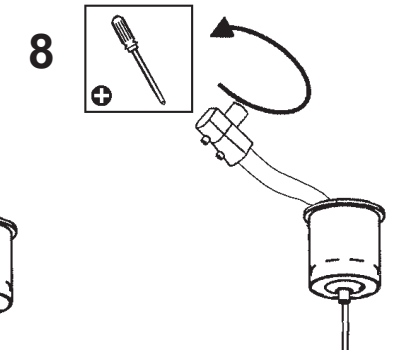
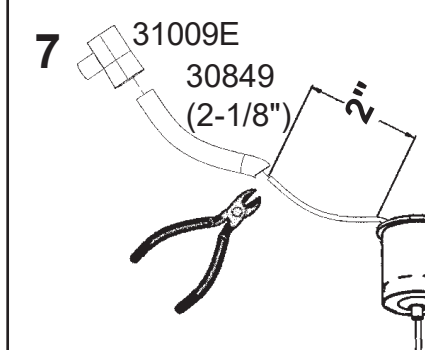
(Non-Insulated Stainless Steel Cables - Qty. 4)

**FIGURE 2**

(Insulated Cables - Qty. 2)

4 x  : 30849 (2-1/8")

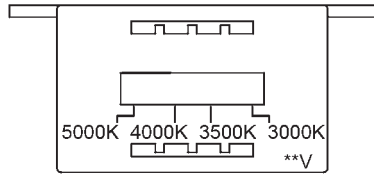
4 x  : 31009E



**\*\*IMPORTANT NOTE\*\***

Once the fixture is at desired height, trim non-insulated stainless steel cables (x4) leaving 2" protruding from the cable grippers. Install sleeve and terminal connector over cable. See Figure 1. Trim insulated cables leaving enough cable for required wiring. See Figure 2.  
 NOTE: Sleeve and terminal connector are not installed on insulated cables.  
**ONCE THE CABLES ARE CUT THE FIXTURE HEIGHT CAN NO LONGER BE ADJUSTED!**

**9** SELECT DESIRED LED COLOR TEMPERATURE. WHEN SELECTING COLOR TEMPERATURE, ENSURE THAT BOTH SWITCHES ARE SET TO THE SAME TEMPERATURE.  
**NOTE: FIXTURE POWER MUST BE OFF BEFORE CHANGING THE CCT SETTING.**



3000K = WARM  
 3500K = WARM/NATURAL  
 4000K = NATURAL  
 5000K = DAYLIGHT

