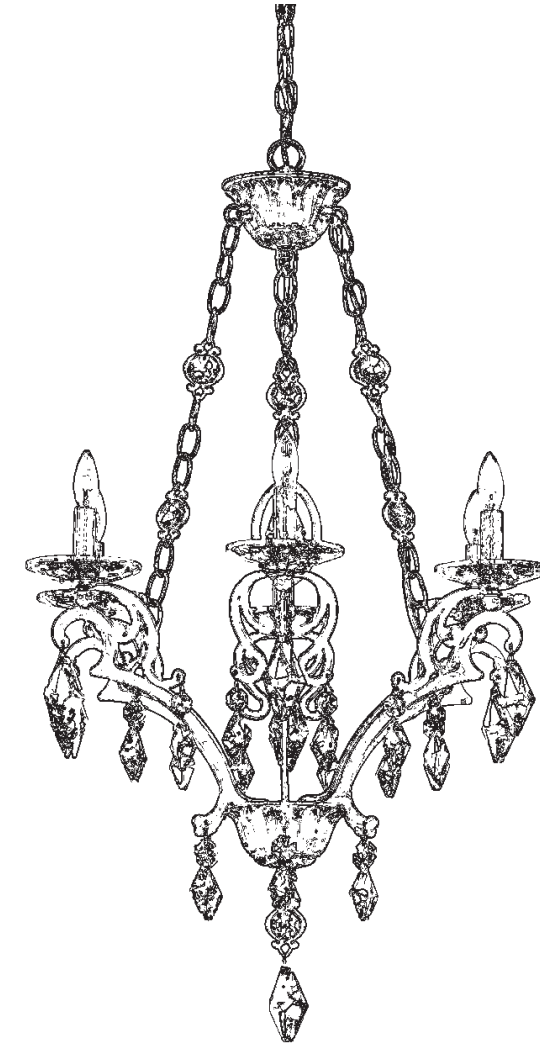


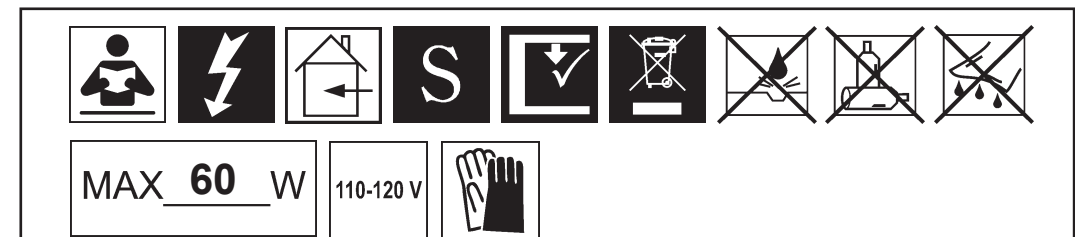
SCHONBEK  
*Signature*<sup>TM</sup>

TAMERLAINE  
S92606-\_\_ \_\_R

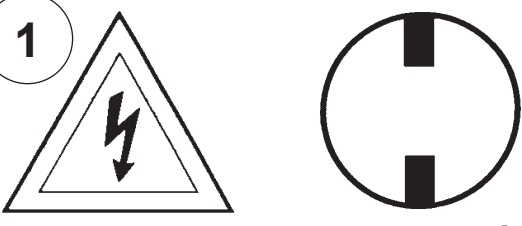


**T**HIS DESIGN IS THE PROPRIETARY  
TRADE DRESS/TRADEMARK OF  
W SCHONBEK LLC.

SCHONBEK  
*Signature*<sup>TM</sup>

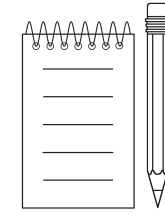
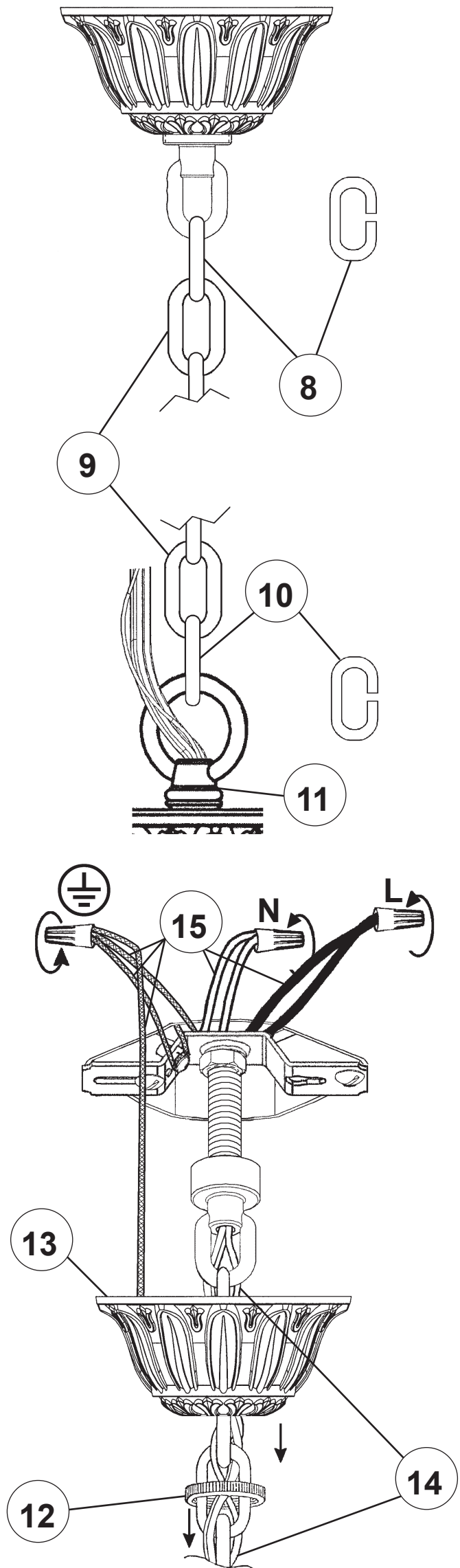
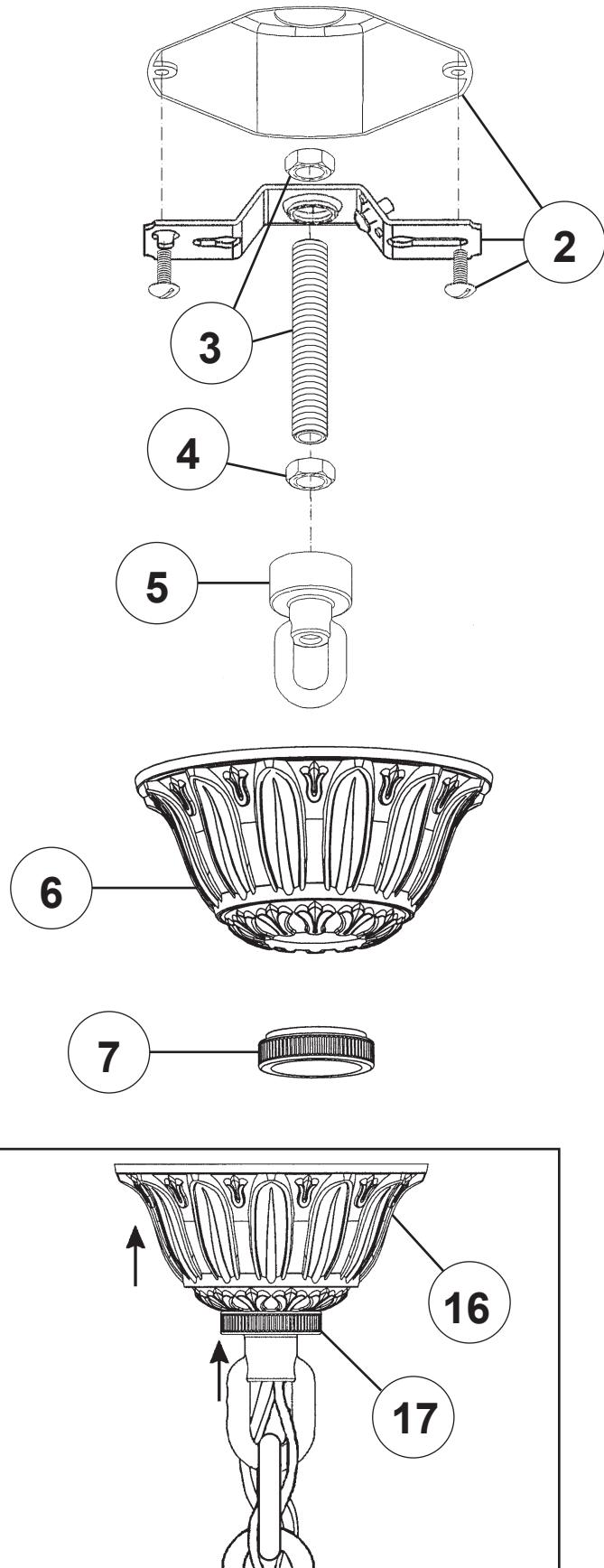


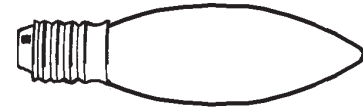
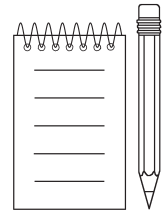
**WARNING:**

1 

**Electrical Danger Turn Power Off**

All electrical components must be installed by a licensed electrician in accordance with the National Electric Code and the appropriate local electrical codes.





You will need 6 - B10  
25 Watts Recommended  
60 Watts Max

