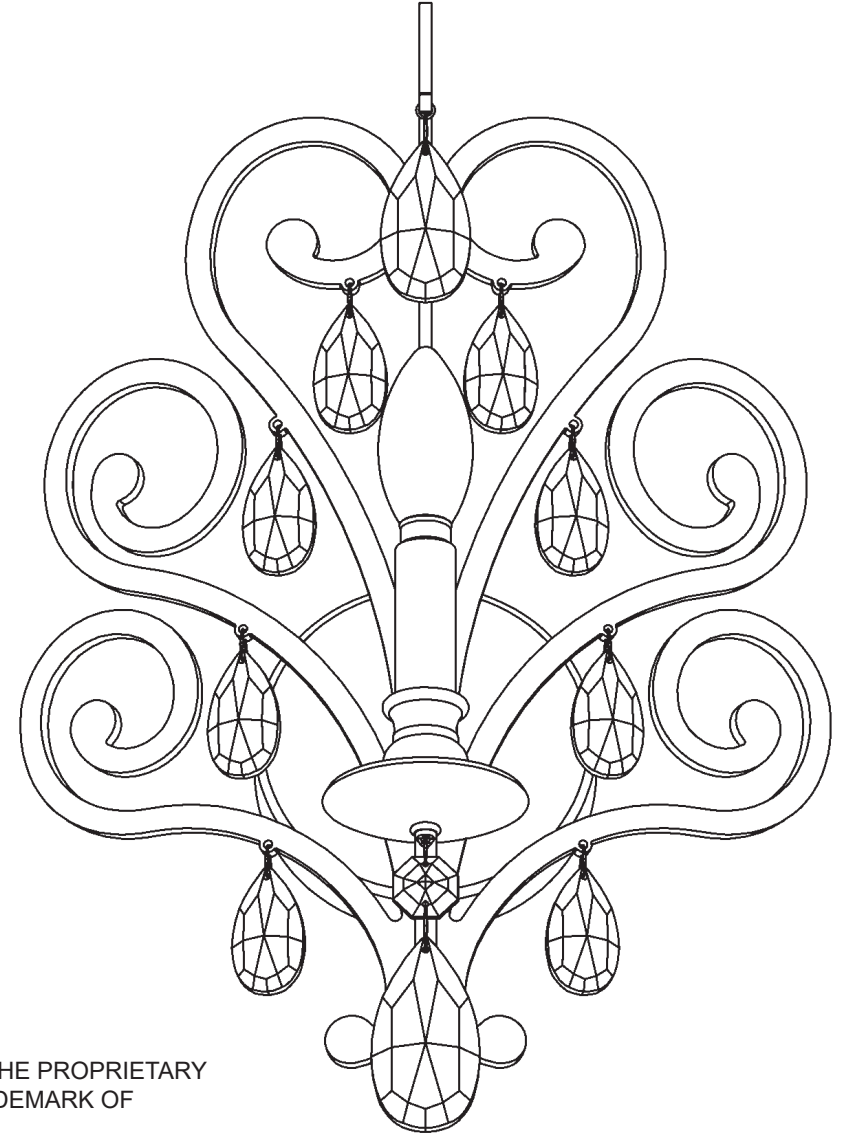


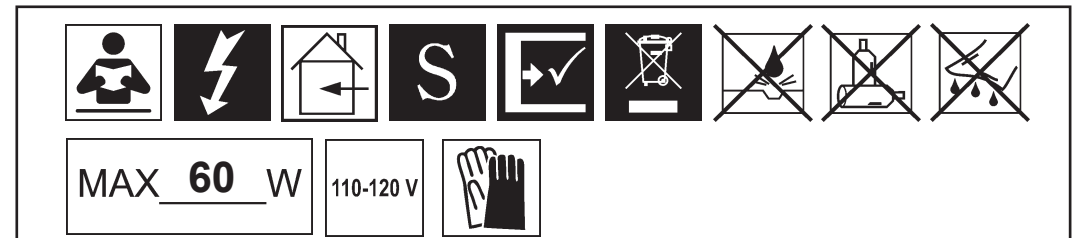
SCHONBEK  
*Signature*<sup>TM</sup>

**CONCLAVE**  
**S99601- \_\_\_\_\_**



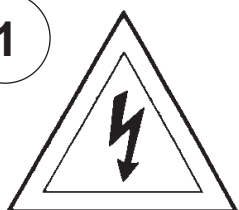
**T**HIS DESIGN IS THE PROPRIETARY  
TRADE DRESS/TRADEMARK OF  
W SCHONBEK LLC.

SCHONBEK  
*Signature*<sup>TM</sup>

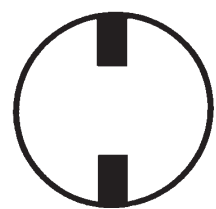


**WARNING:**

1

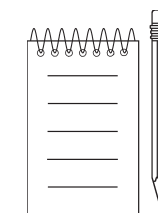
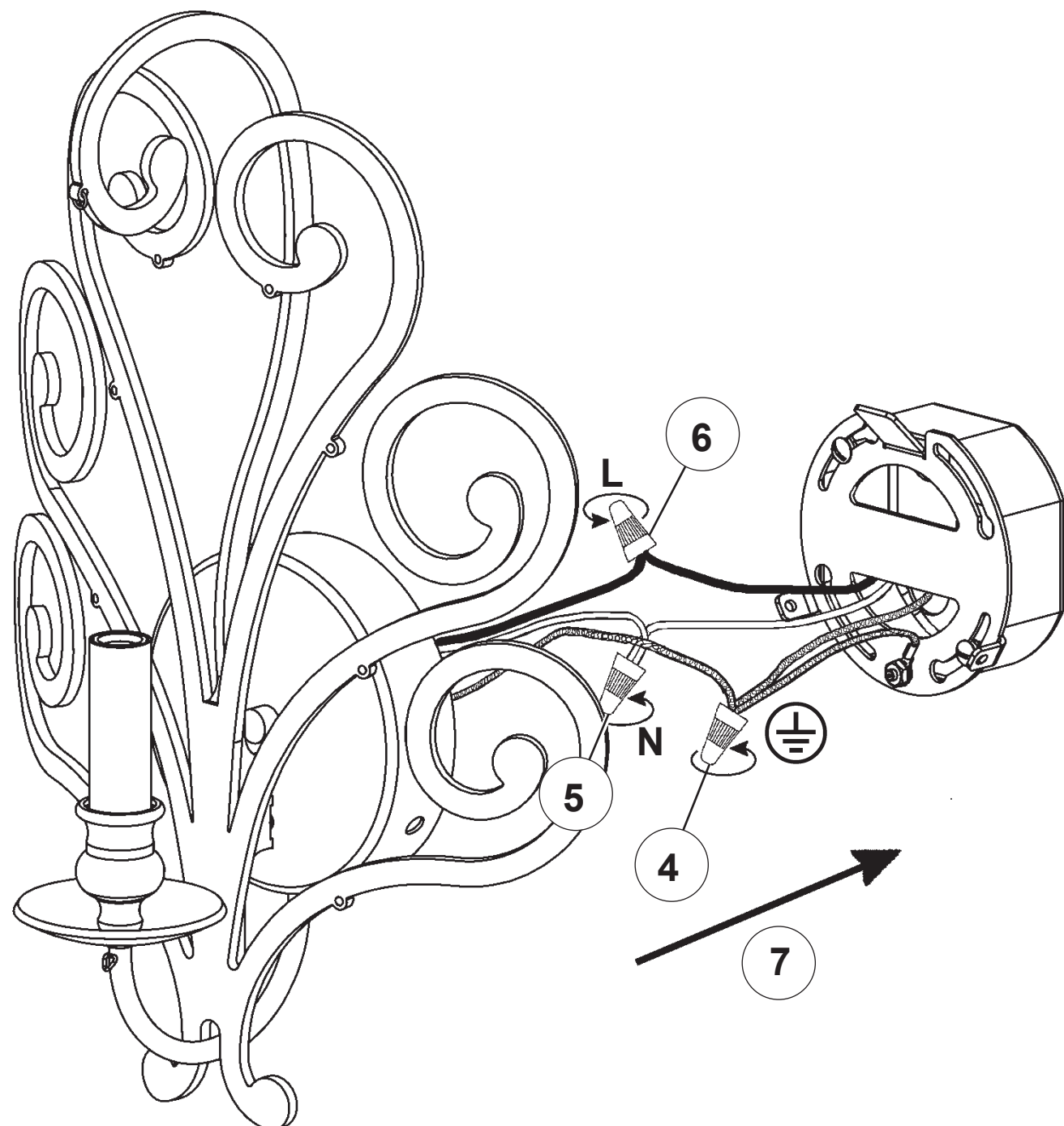
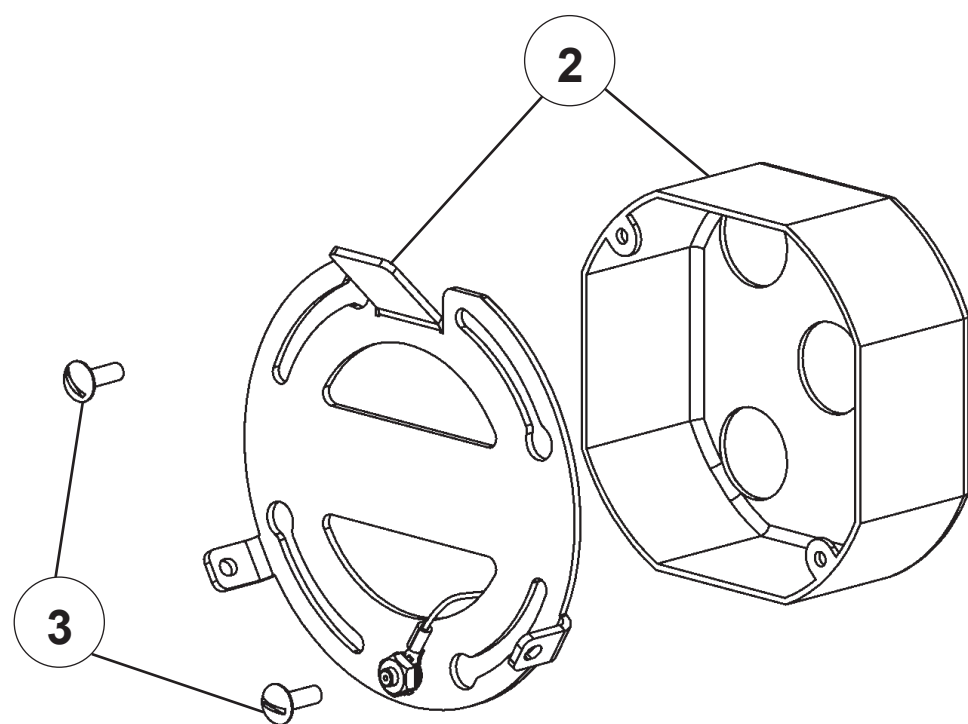


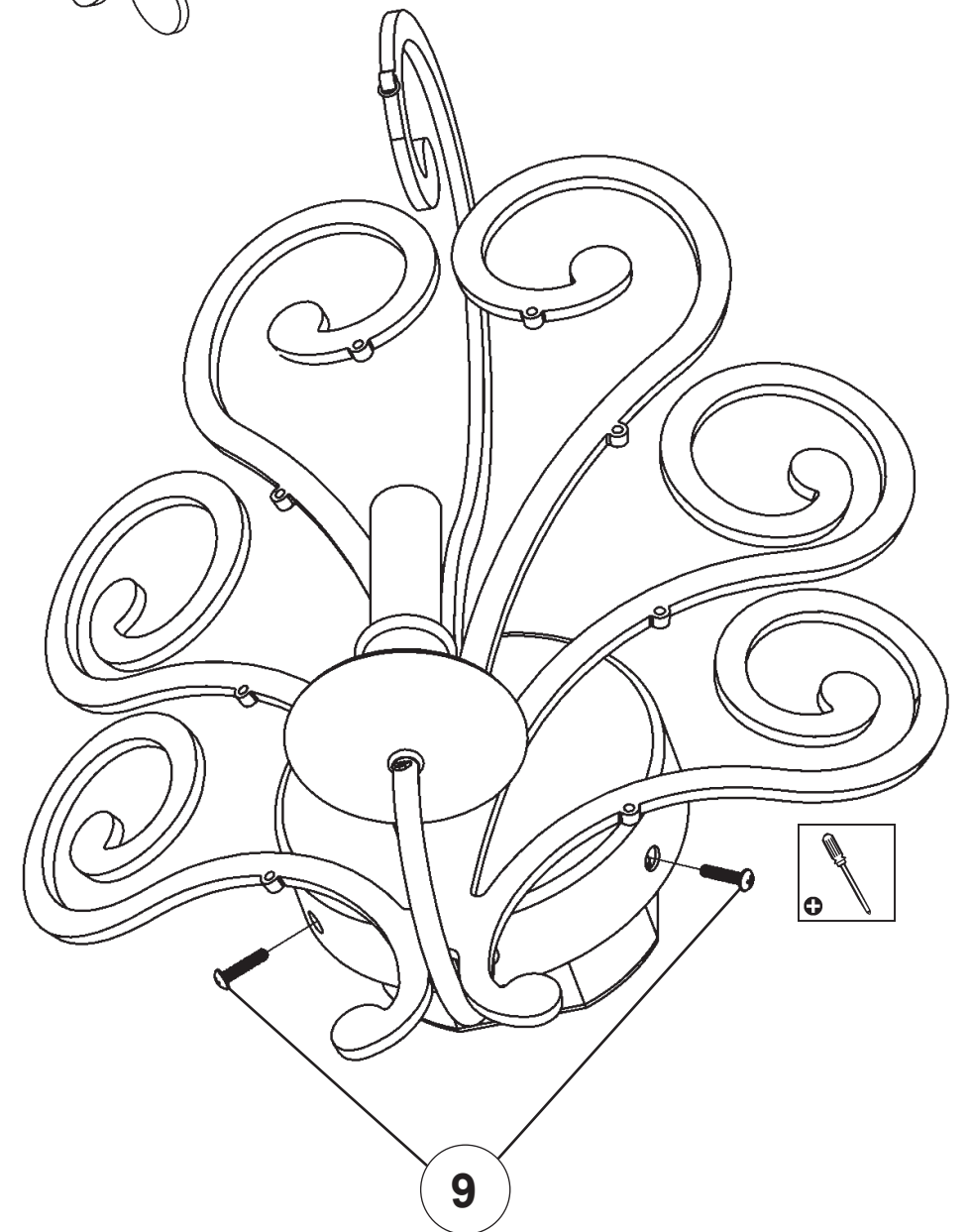
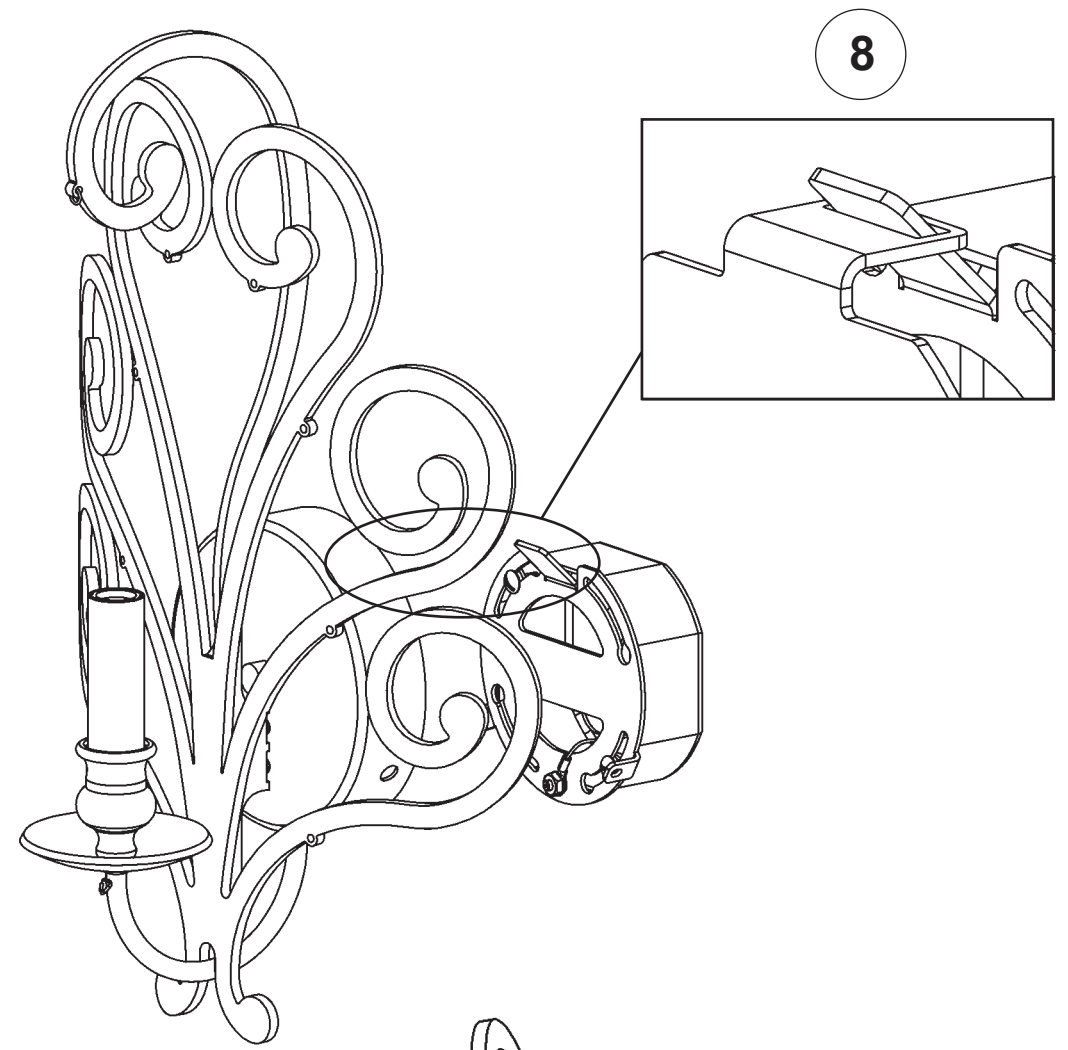
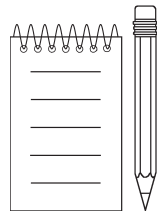
**Electrical Danger**

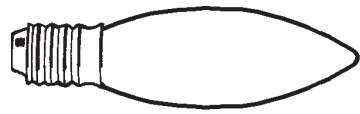


**Turn Power Off**

All electrical components must be installed by a licensed electrician in accordance with the National Electric Code and the appropriate local electrical codes.

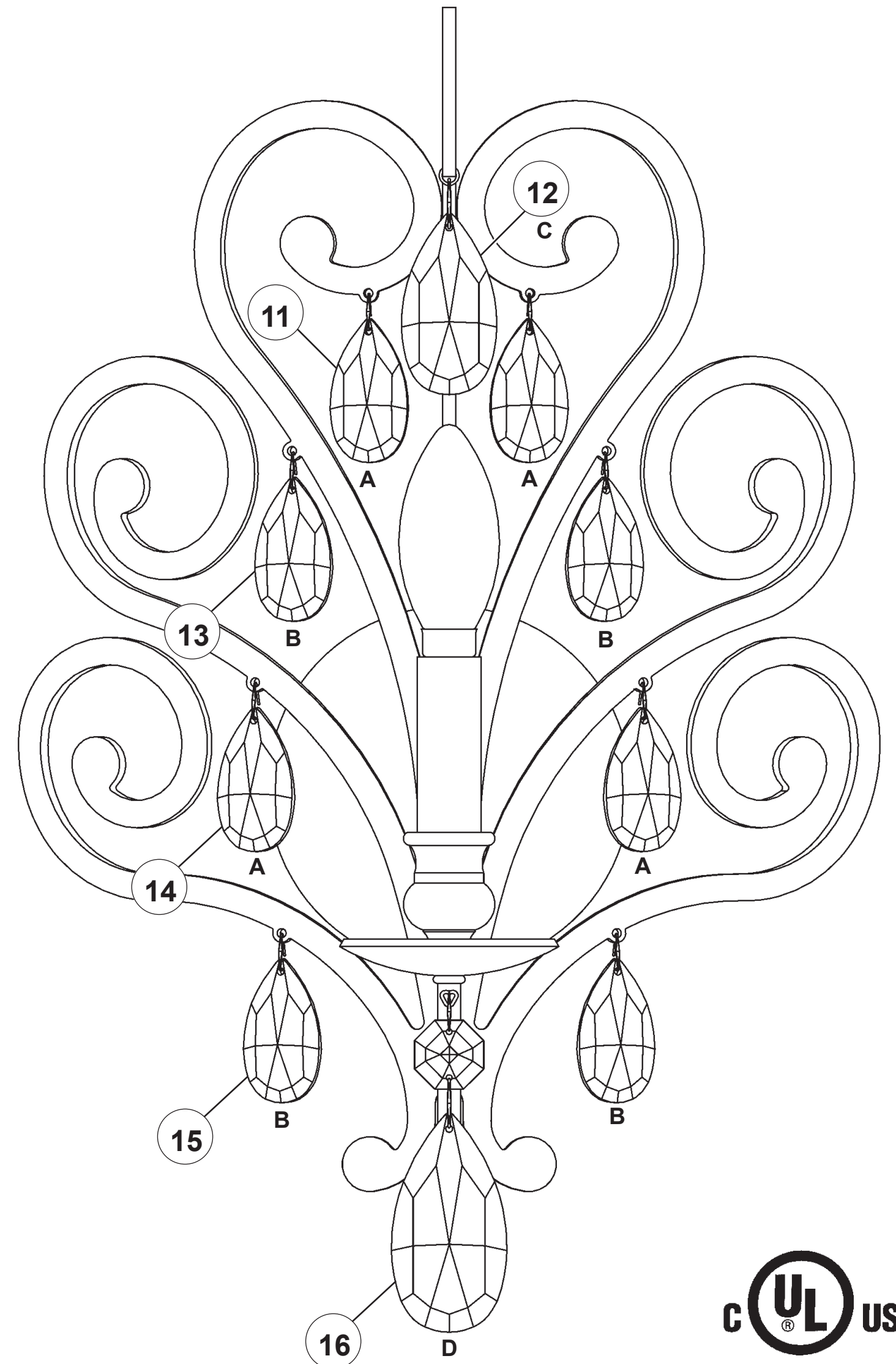
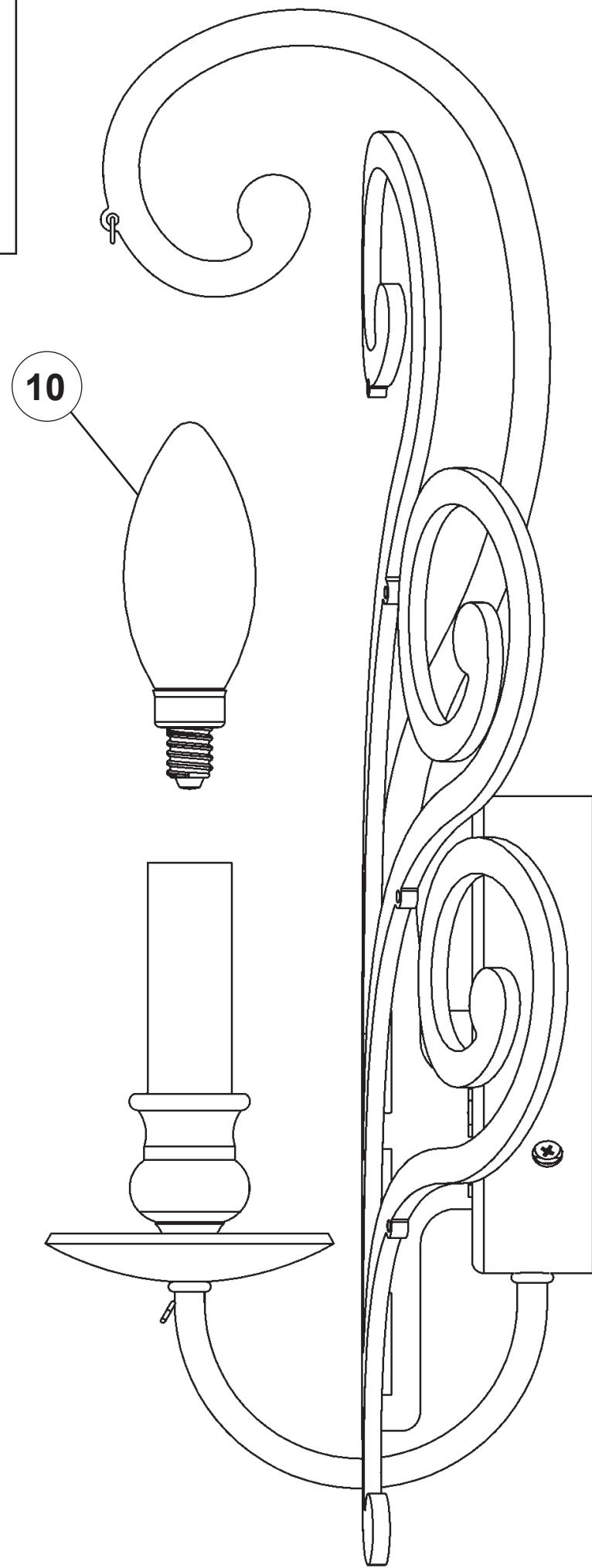






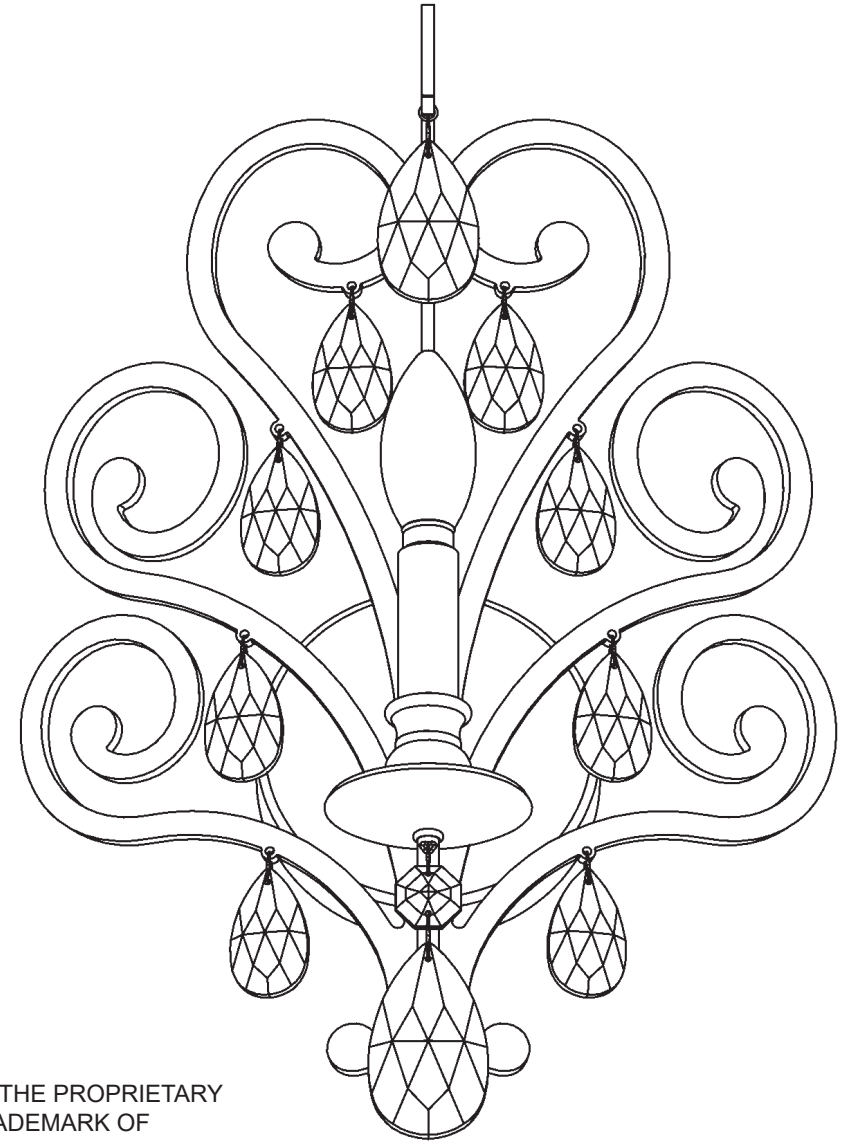
You will need 1 - B10  
25 Watts Recommended  
60 Watts Max

Install bulb and be sure  
to test fixture **BEFORE**  
trimming.



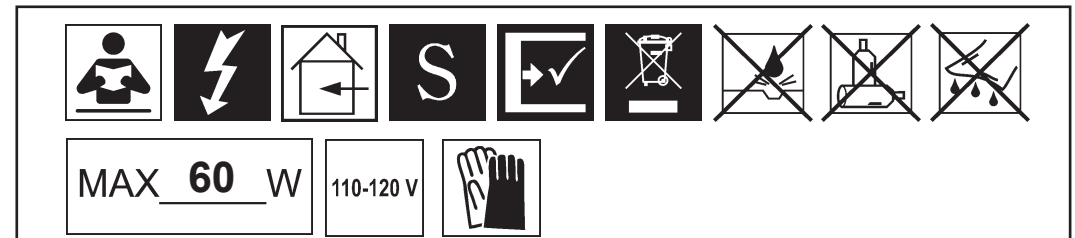
SCHONBEK  
*Signature*<sup>TM</sup>

**CONCLAVE**  
**S99601- \_\_ \_\_ R**



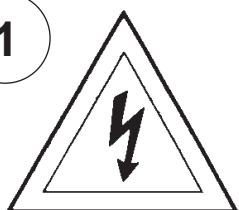
**T**HIS DESIGN IS THE PROPRIETARY  
TRADE DRESS/TRADEMARK OF  
W SCHONBEK LLC.

SCHONBEK  
*Signature*<sup>TM</sup>

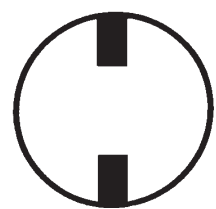


**WARNING:**

1

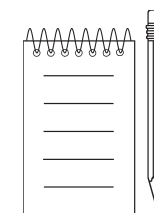
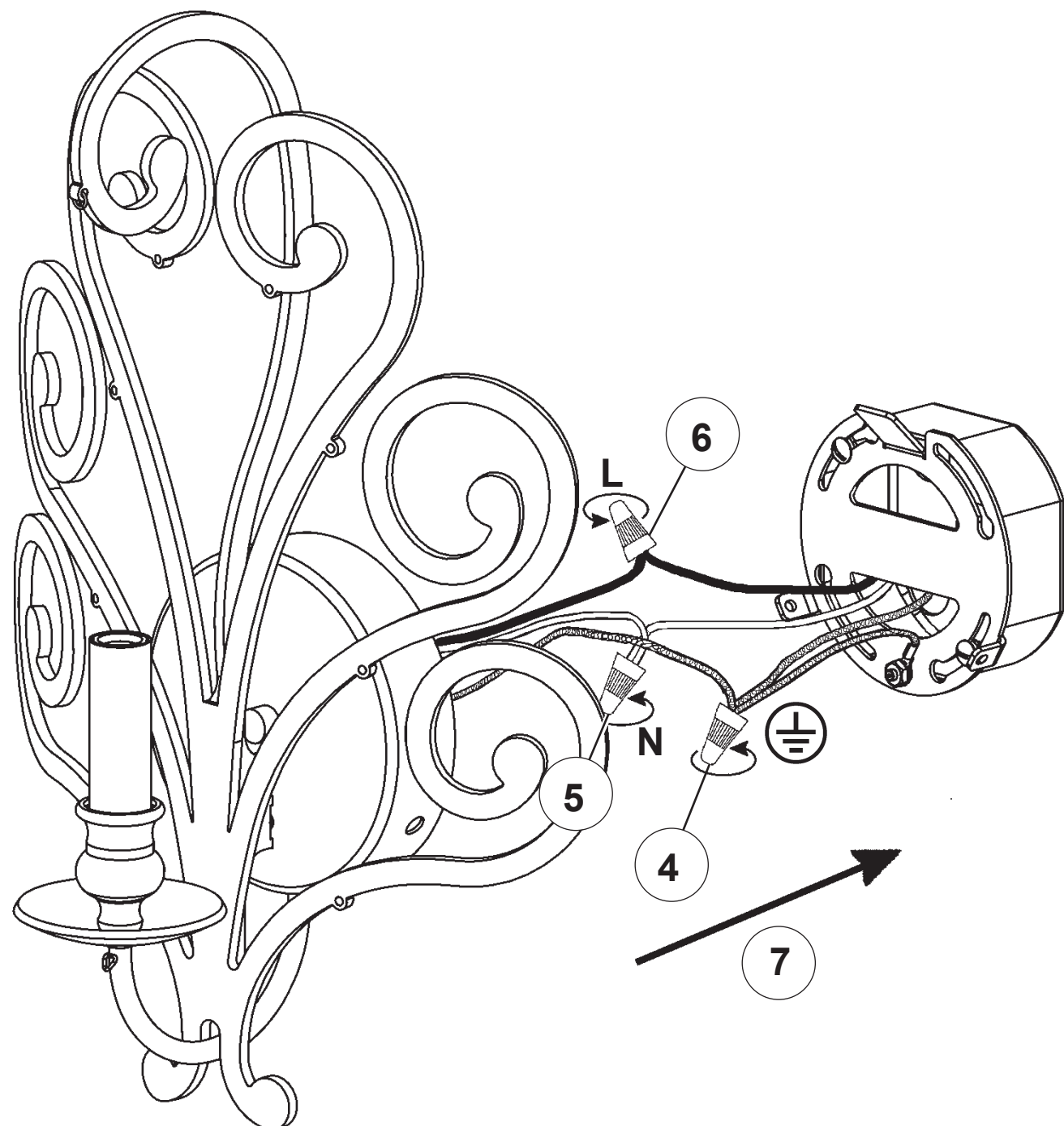
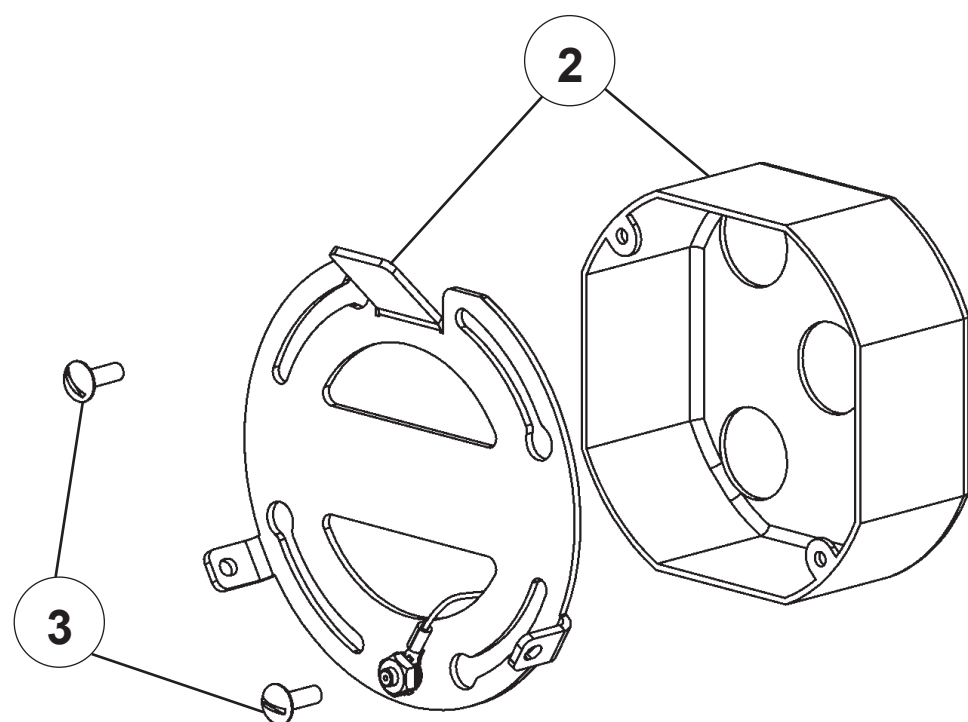


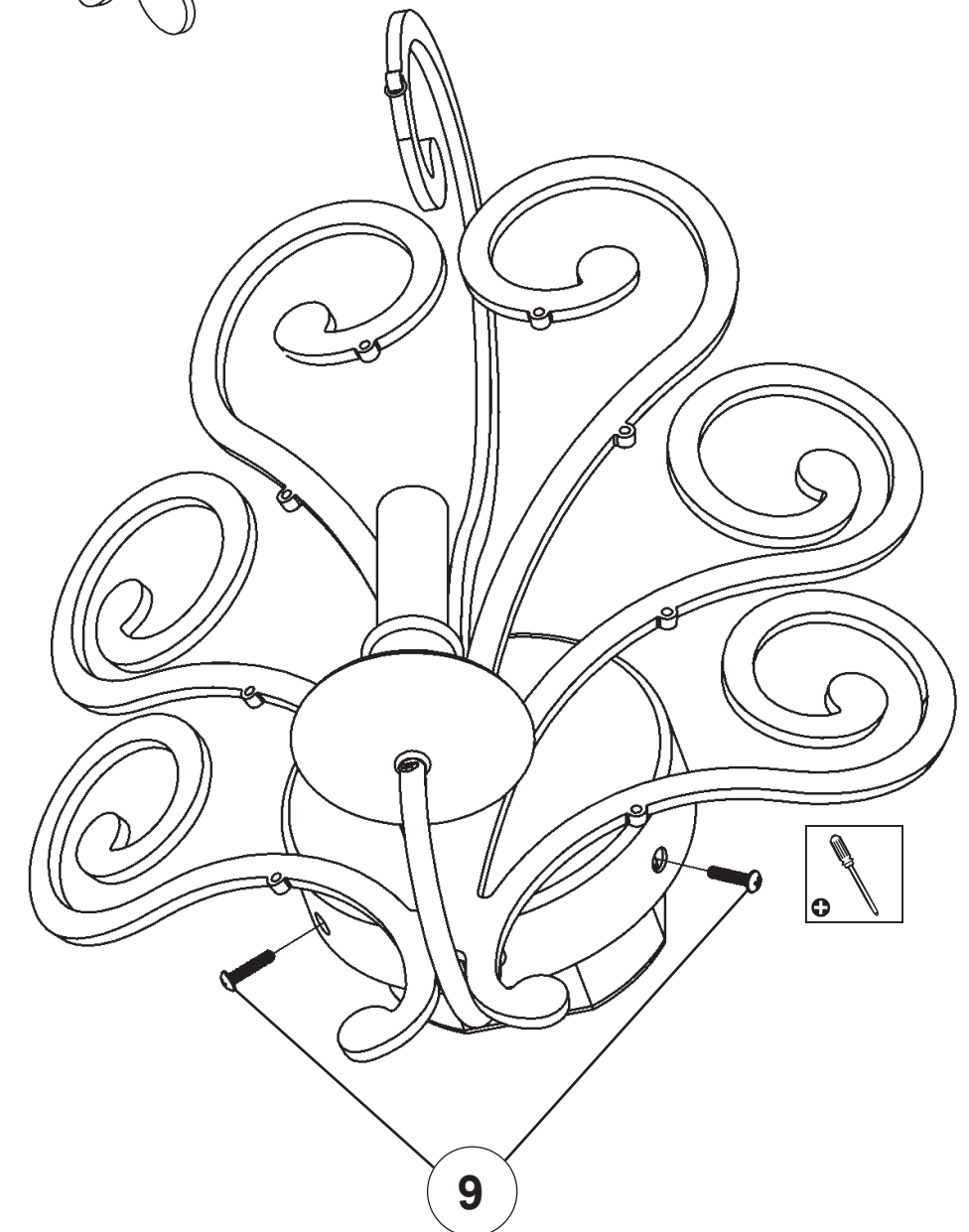
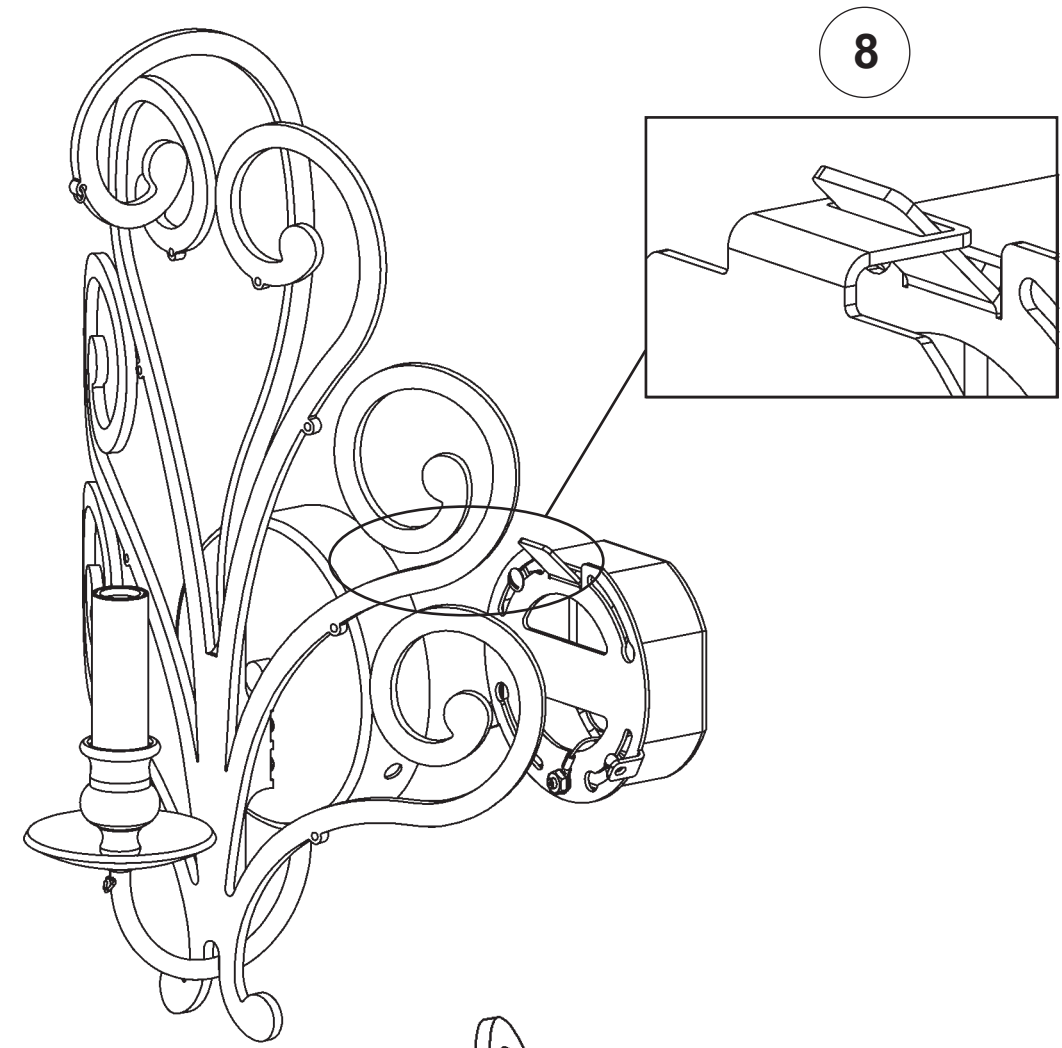
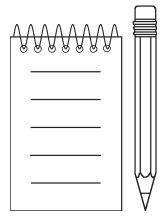
**Electrical Danger**

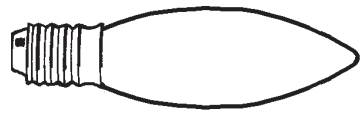


**Turn Power Off**

All electrical components must be installed by a licensed electrician in accordance with the National Electric Code and the appropriate local electrical codes.







You will need 1 - B10  
25 Watts Recommended  
60 Watts Max

Install bulb and be sure  
to test fixture **BEFORE**  
trimming.

