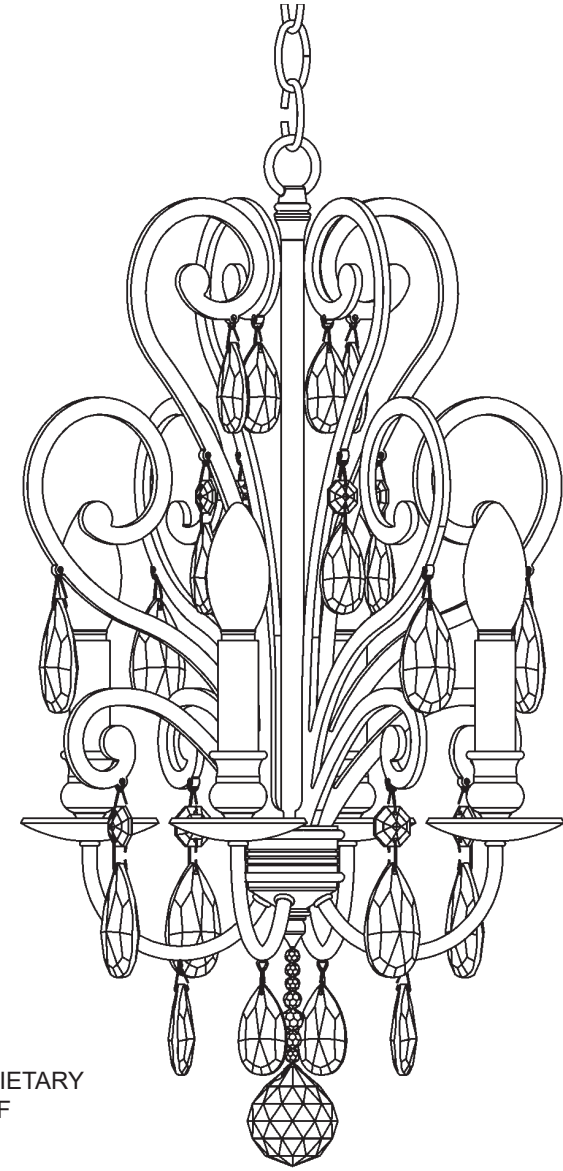


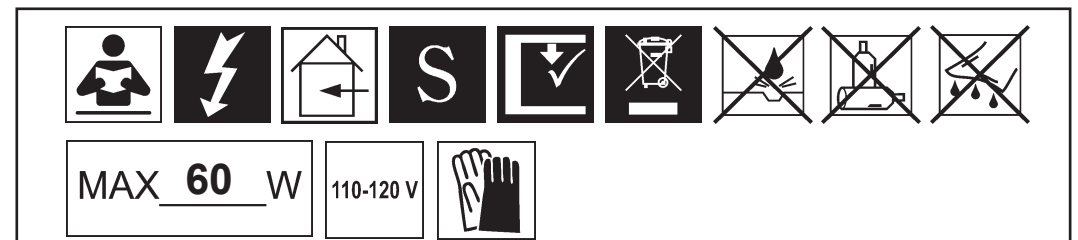
SCHONBEK
Signature[™]

CONCLAVE
S99604- _____

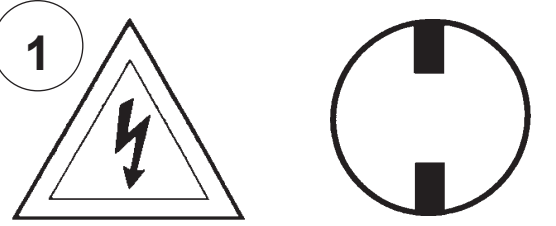


THIS DESIGN IS THE PROPRIETARY
TRADE DRESS/TRADEMARK OF
W SCHONBEK LLC.

SCHONBEK
Signature[™]

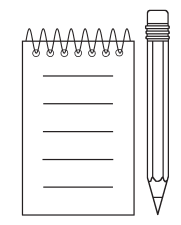
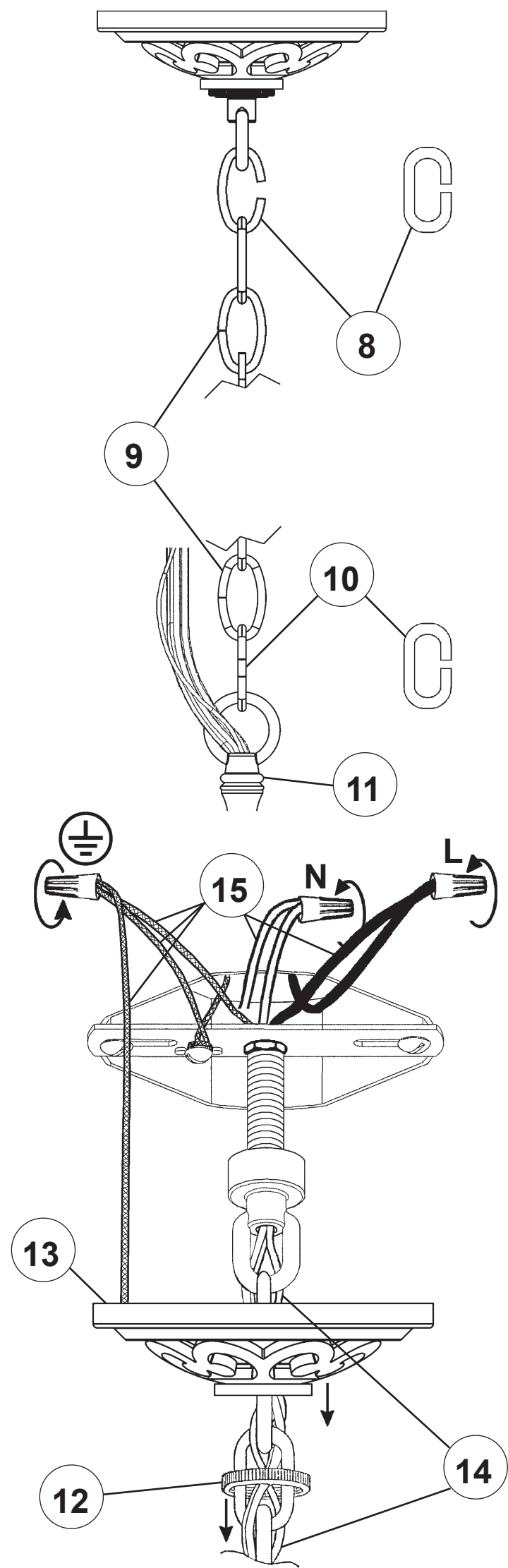
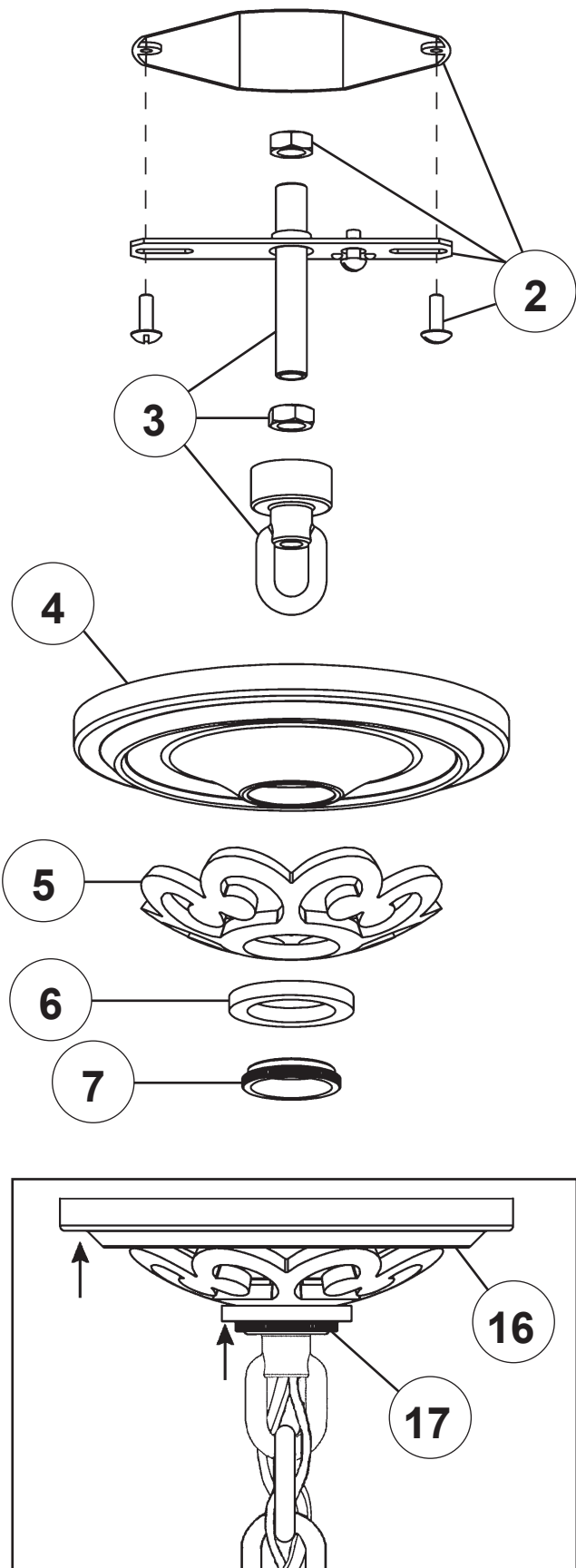


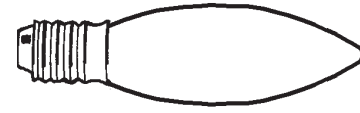
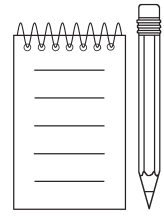
WARNING:

1 

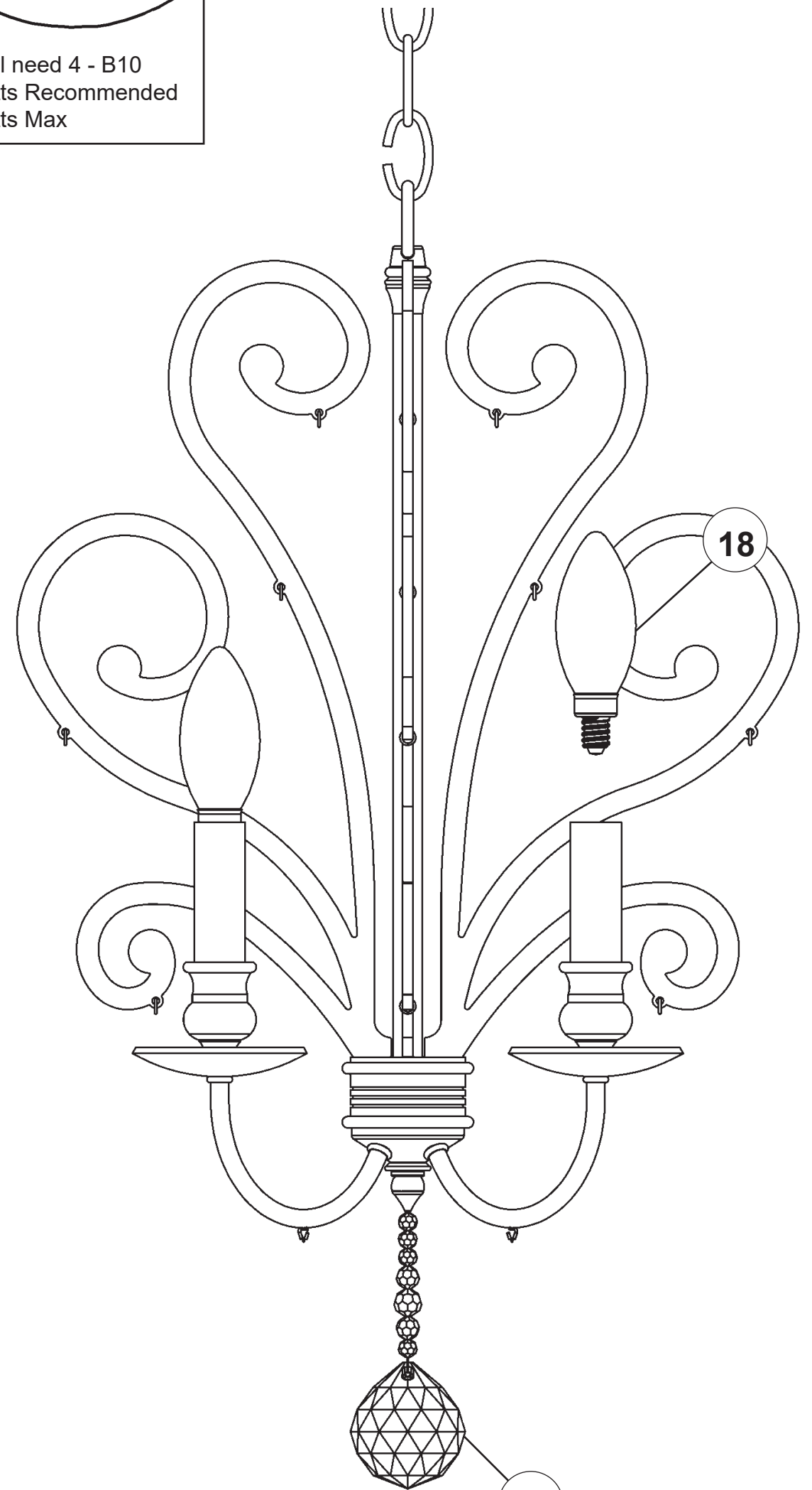
Electrical Danger Turn Power Off

All electrical components must be installed by a licensed electrician in accordance with the National Electric Code and the appropriate local electrical codes.

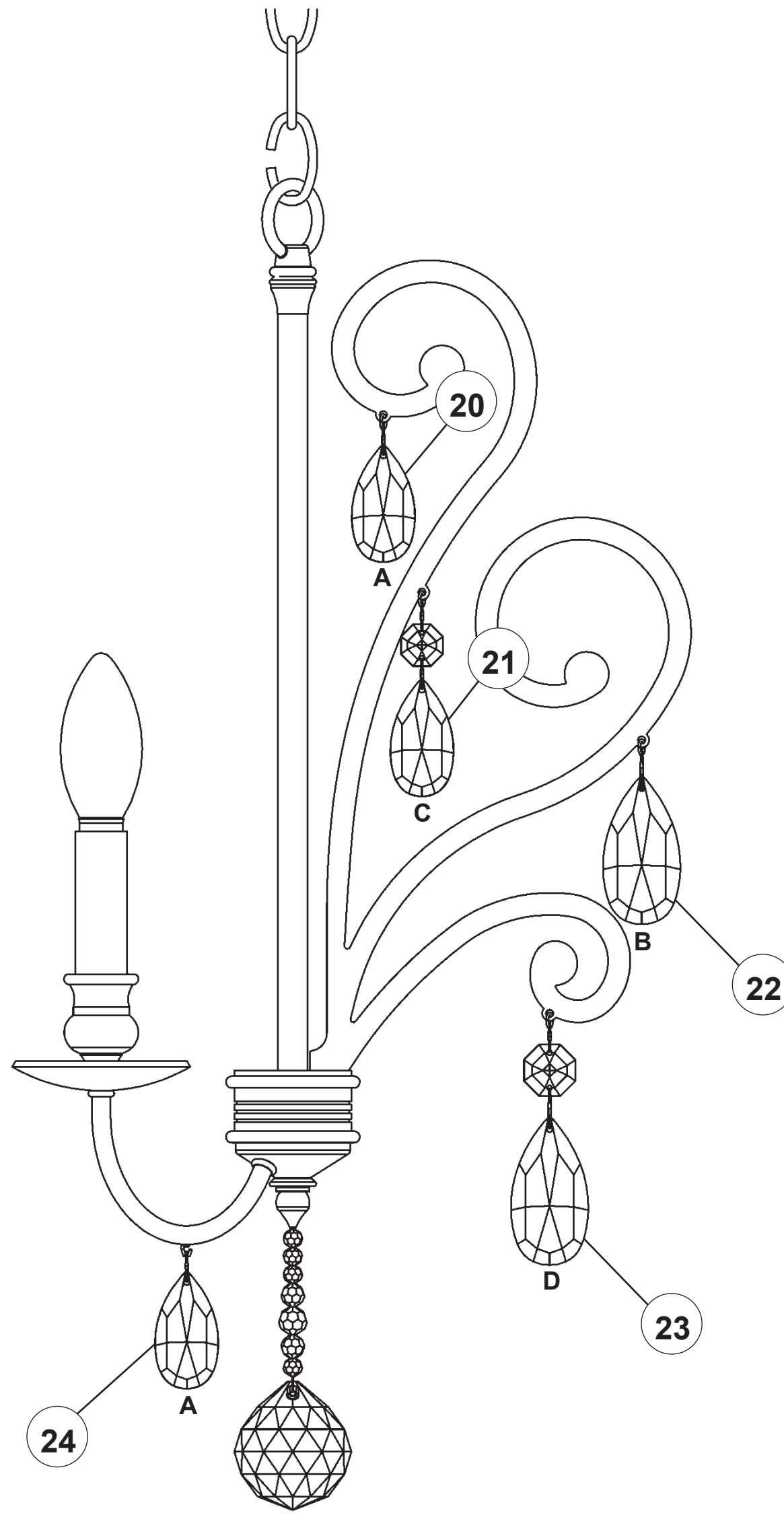




You will need 4 - B10
25 Watts Recommended
60 Watts Max

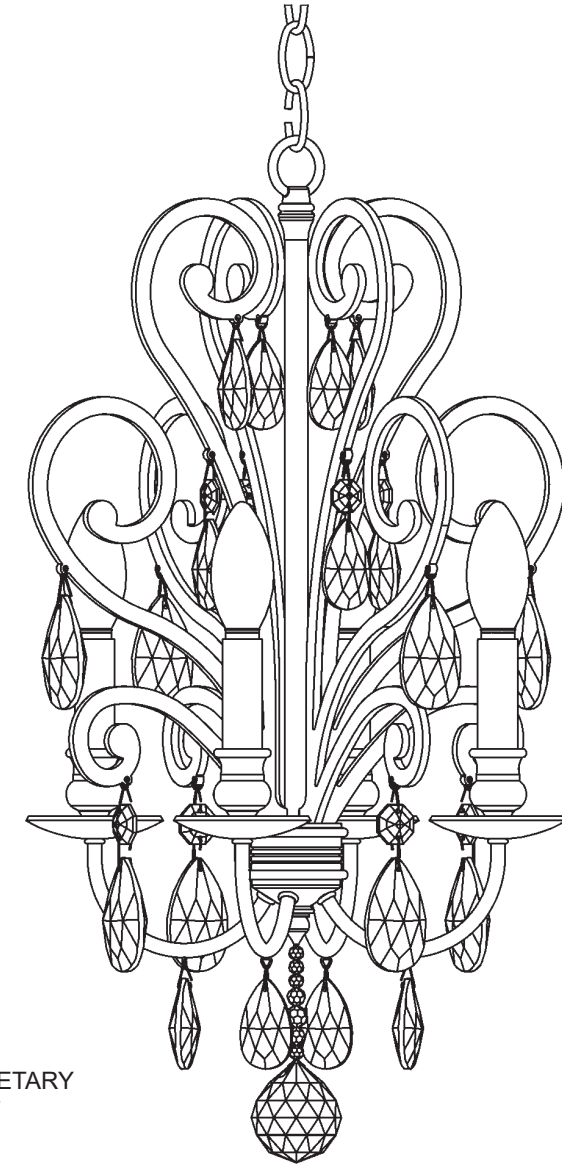


NR24357-** 19



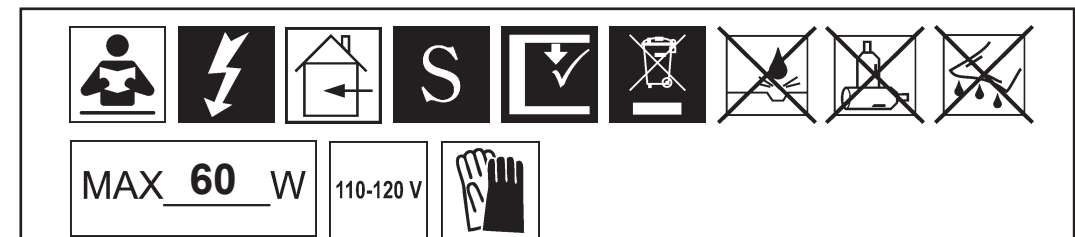
SCHONBEK
Signature[™]

CONCLAVE
S99604- __ __ R

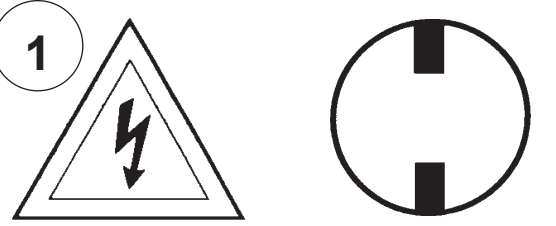


THIS DESIGN IS THE PROPRIETARY
TRADE DRESS/TRADEMARK OF
W SCHONBEK LLC.

SCHONBEK
Signature[™]



WARNING:

1 

Electrical Danger Turn Power Off

All electrical components must be installed by a licensed electrician in accordance with the National Electric Code and the appropriate local electrical codes.

