

FOREVER
SCHONBEK

POETTA
SJ65603-__ __R



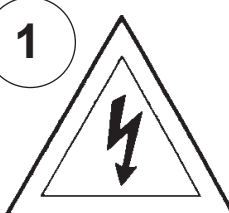
THIS DESIGN IS THE PROPRIETARY
TRADE DRESS/TRADemark OF
W SCHONBEK LLC.

FOREVER
SCHONBEK

MAX 40 W	110-120 V							

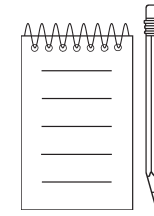
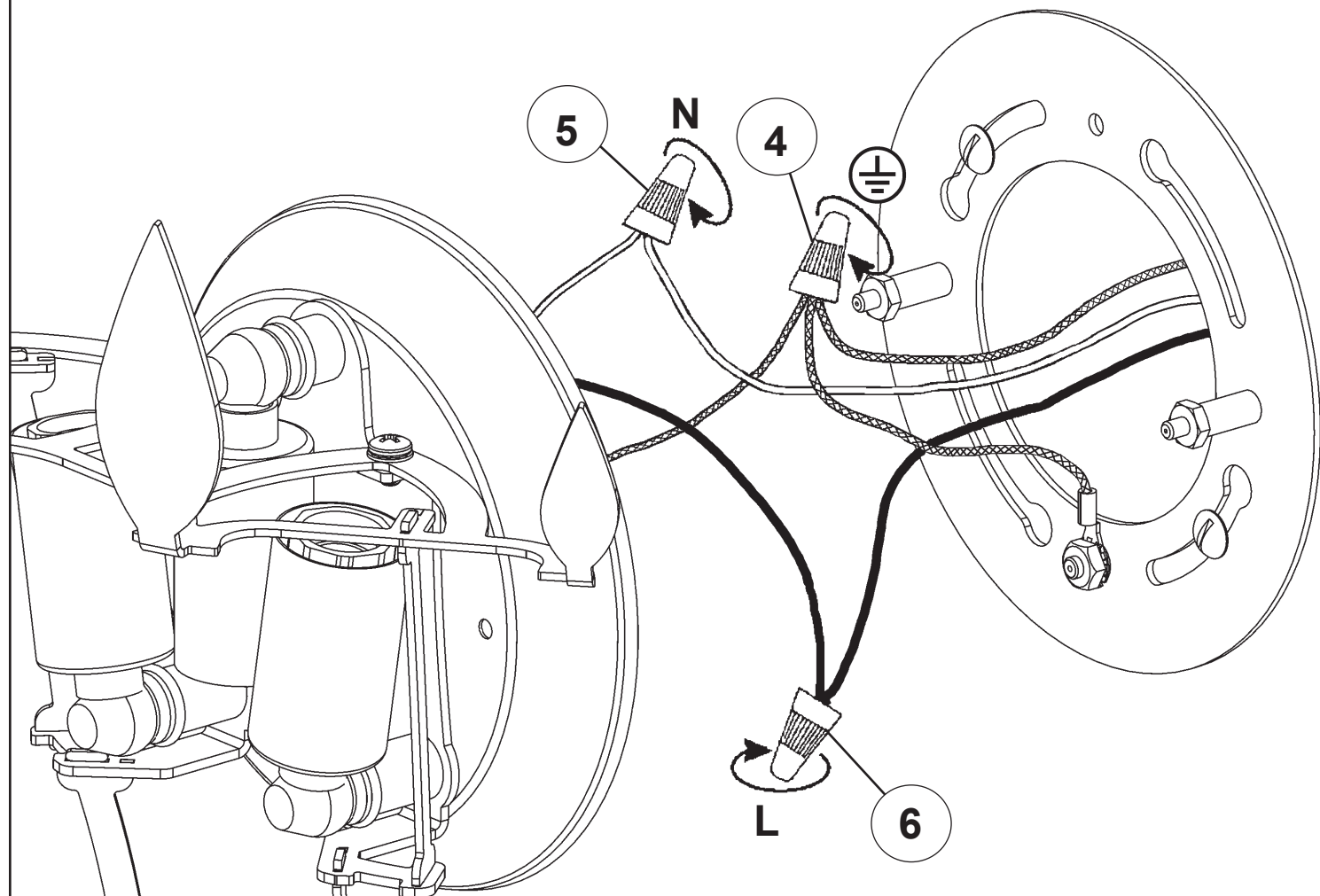
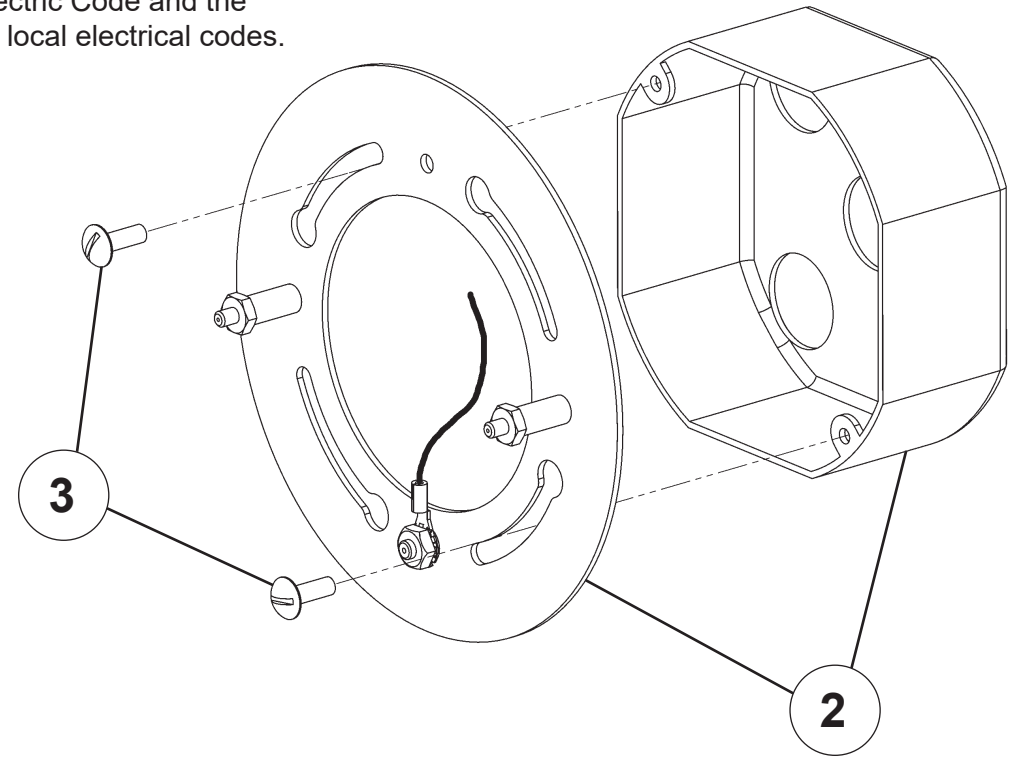
1

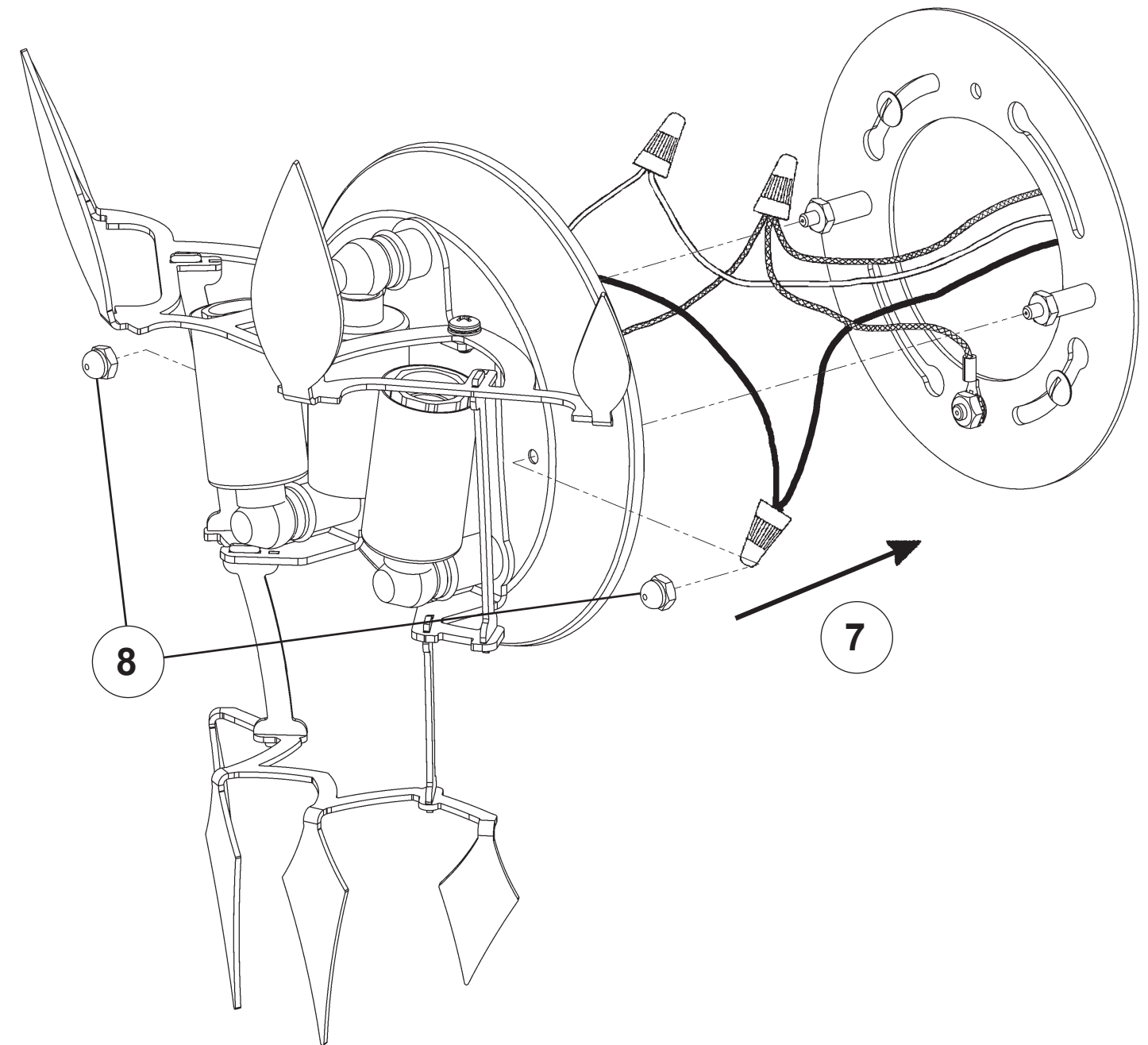
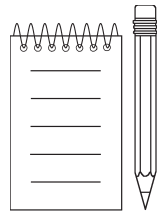
WARNING:

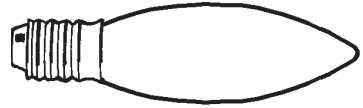


Electrical Danger **Turn Power Off**

All electrical components must be installed by a licensed electrician in accordance with the National Electric Code and the appropriate local electrical codes.

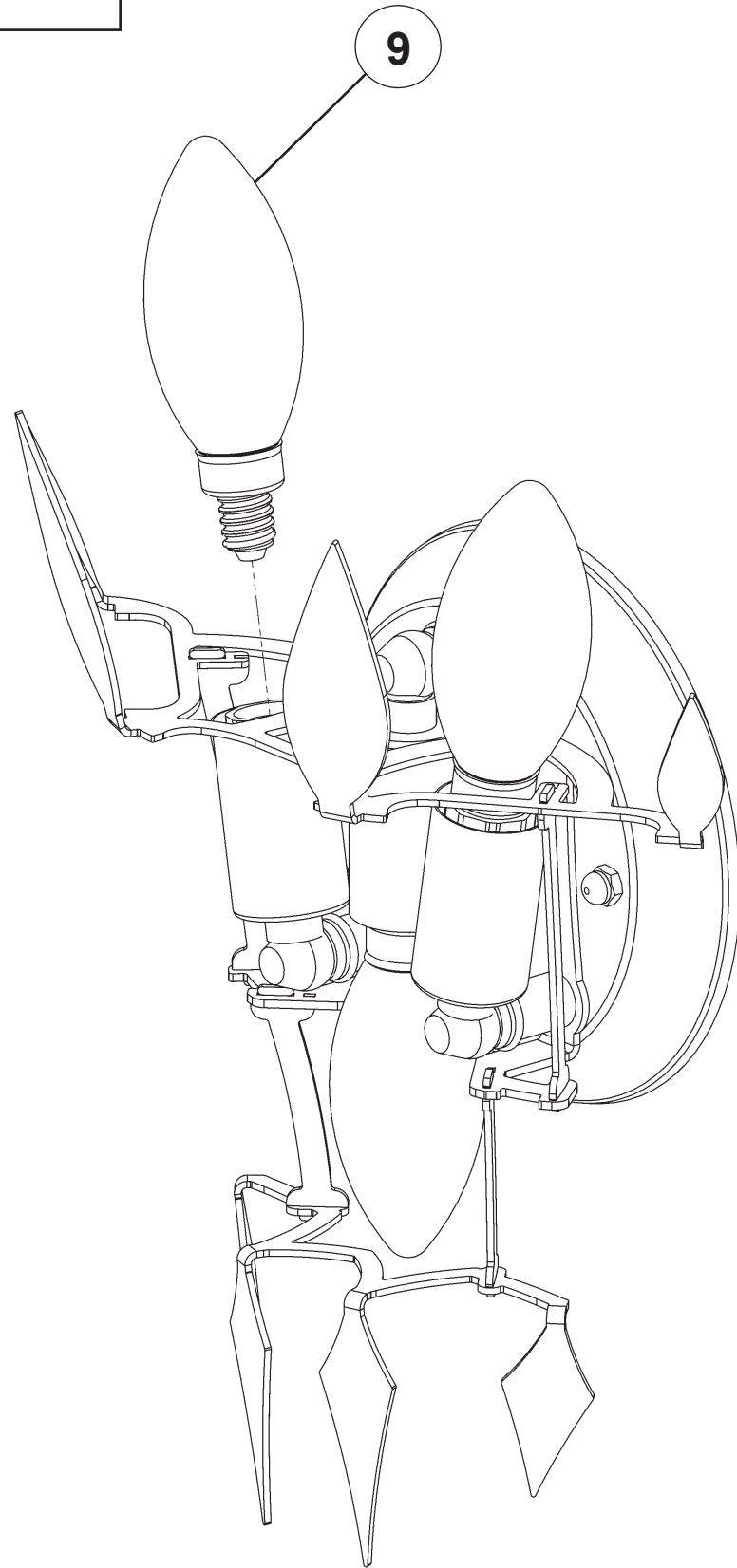




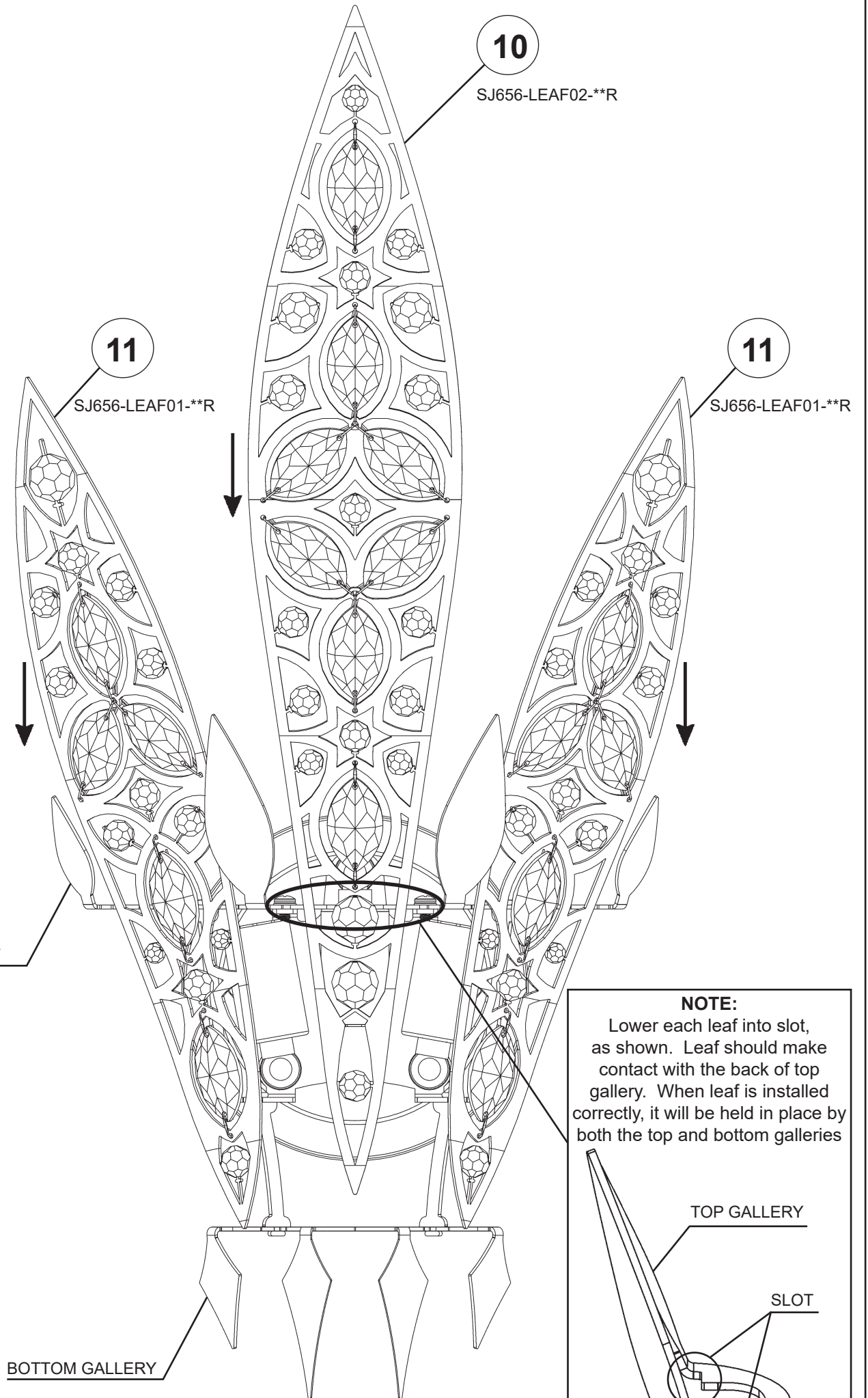


You will need 3 - B10
25 Watts Recommended
40 Watts Max

**Install bulbs and be sure
to test fixture BEFORE
trimming.**



9



10

SJ656-LEAF02-**R

11

SJ656-LEAF01-**R

11

SJ656-LEAF01-**R

TOP GALLERY

BOTTOM GALLERY

NOTE:
Lower each leaf into slot,
as shown. Leaf should make
contact with the back of top
gallery. When leaf is installed
correctly, it will be held in place by
both the top and bottom galleries

TOP GALLERY

SLOT