

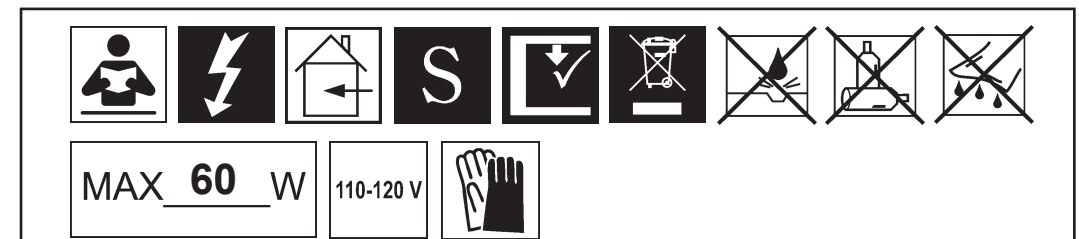
FOREVER
SCHONBEK

POETTA
SJ65605-__R

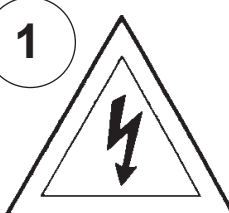
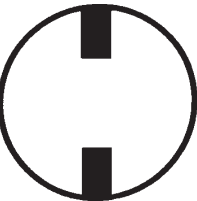


THIS DESIGN IS THE PROPRIETARY
TRADE DRESS/TRADemark OF
W SCHONBEK LLC.

FOREVER
SCHONBEK

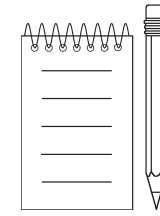
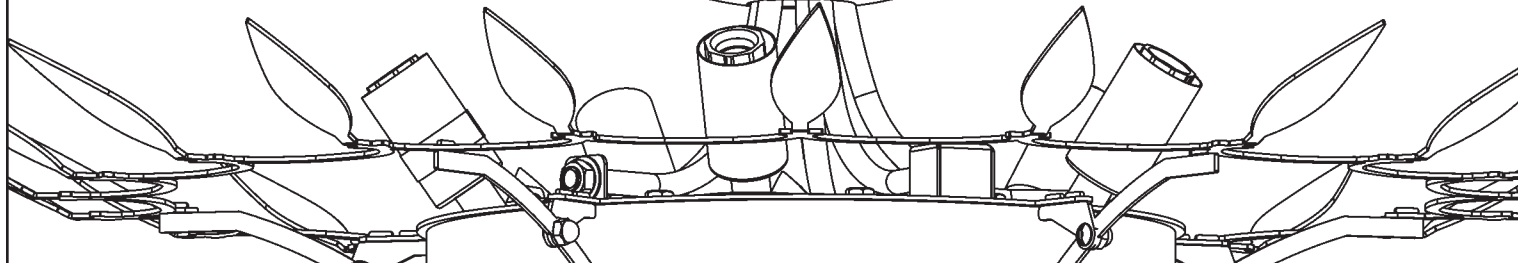
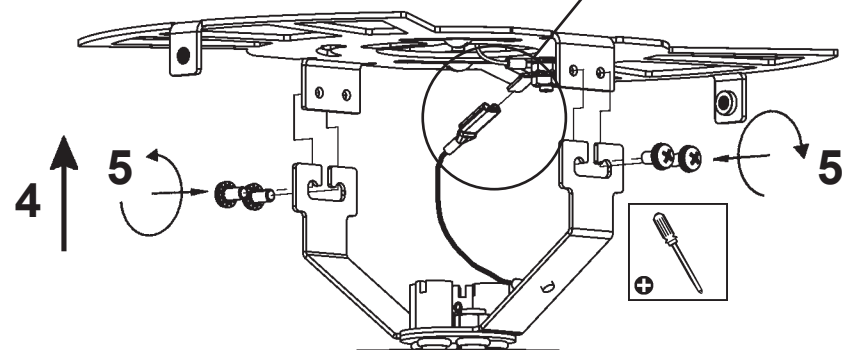
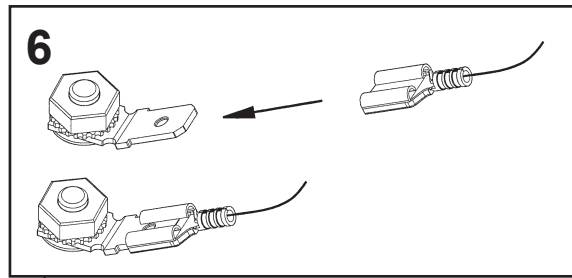
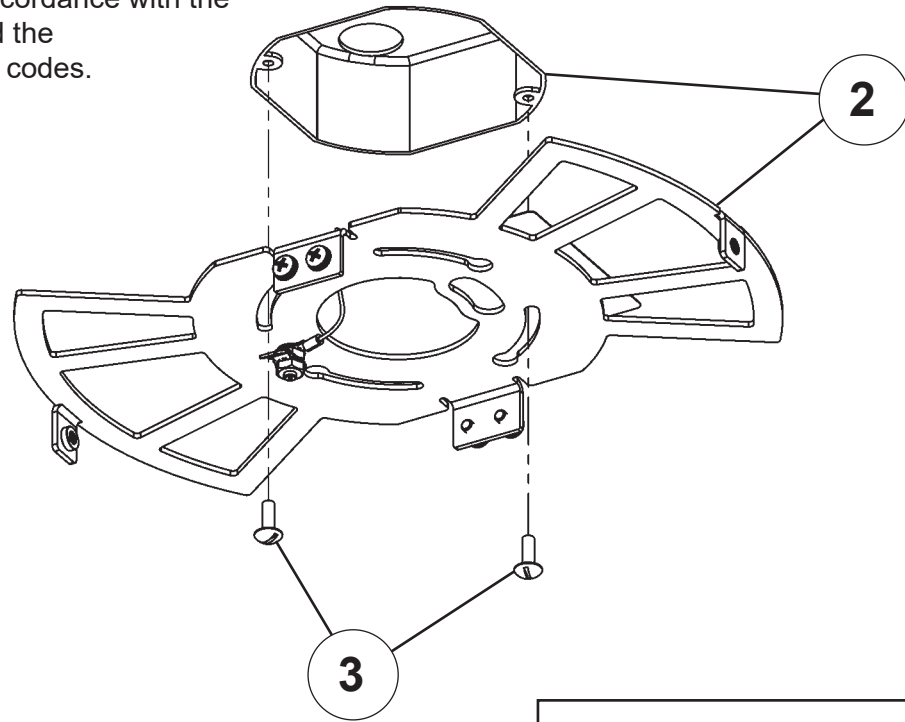


WARNING:

1  

Electrical Danger Turn Power Off

All electrical components must be installed by a licensed electrician in accordance with the National Electric Code and the appropriate local electrical codes.



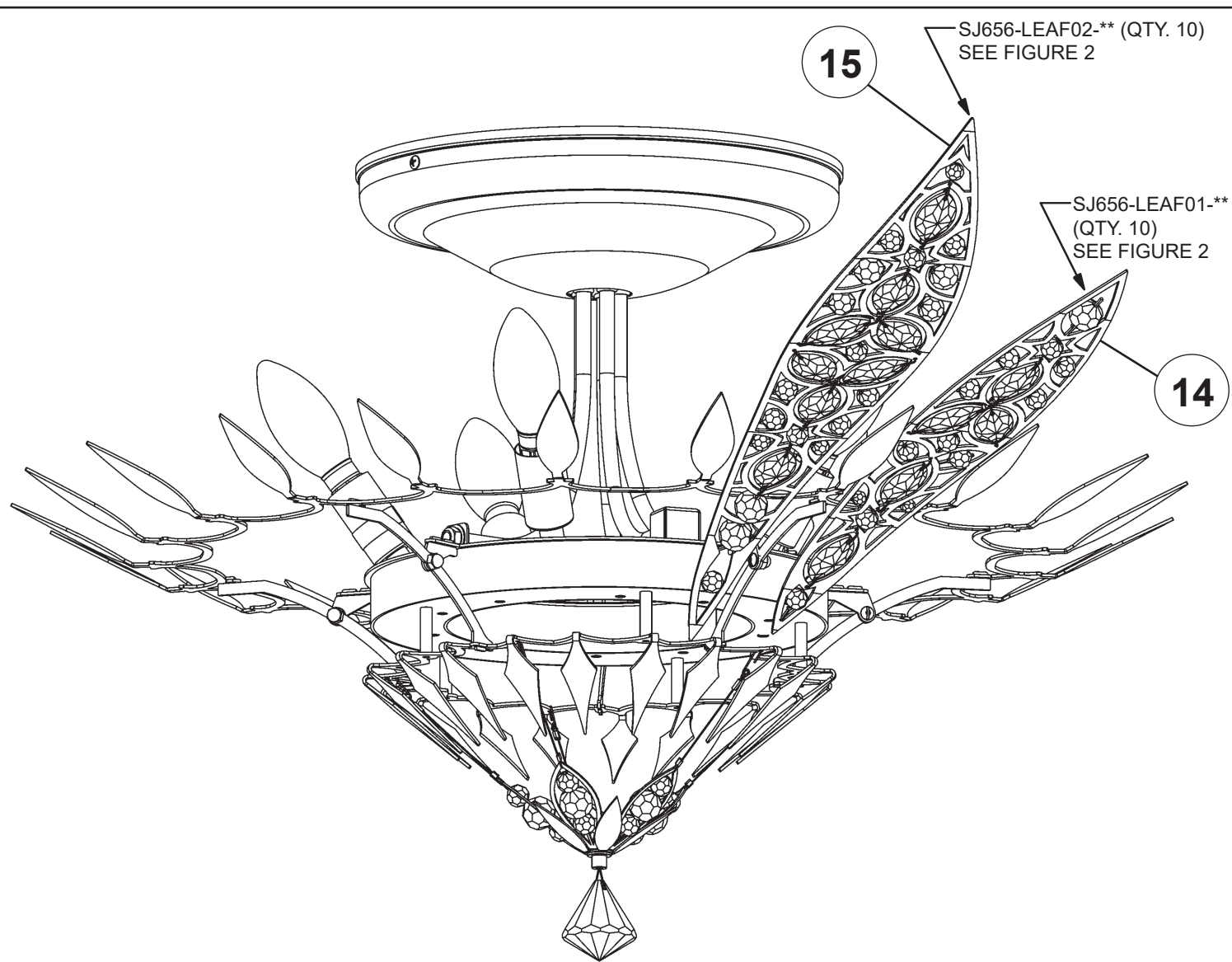
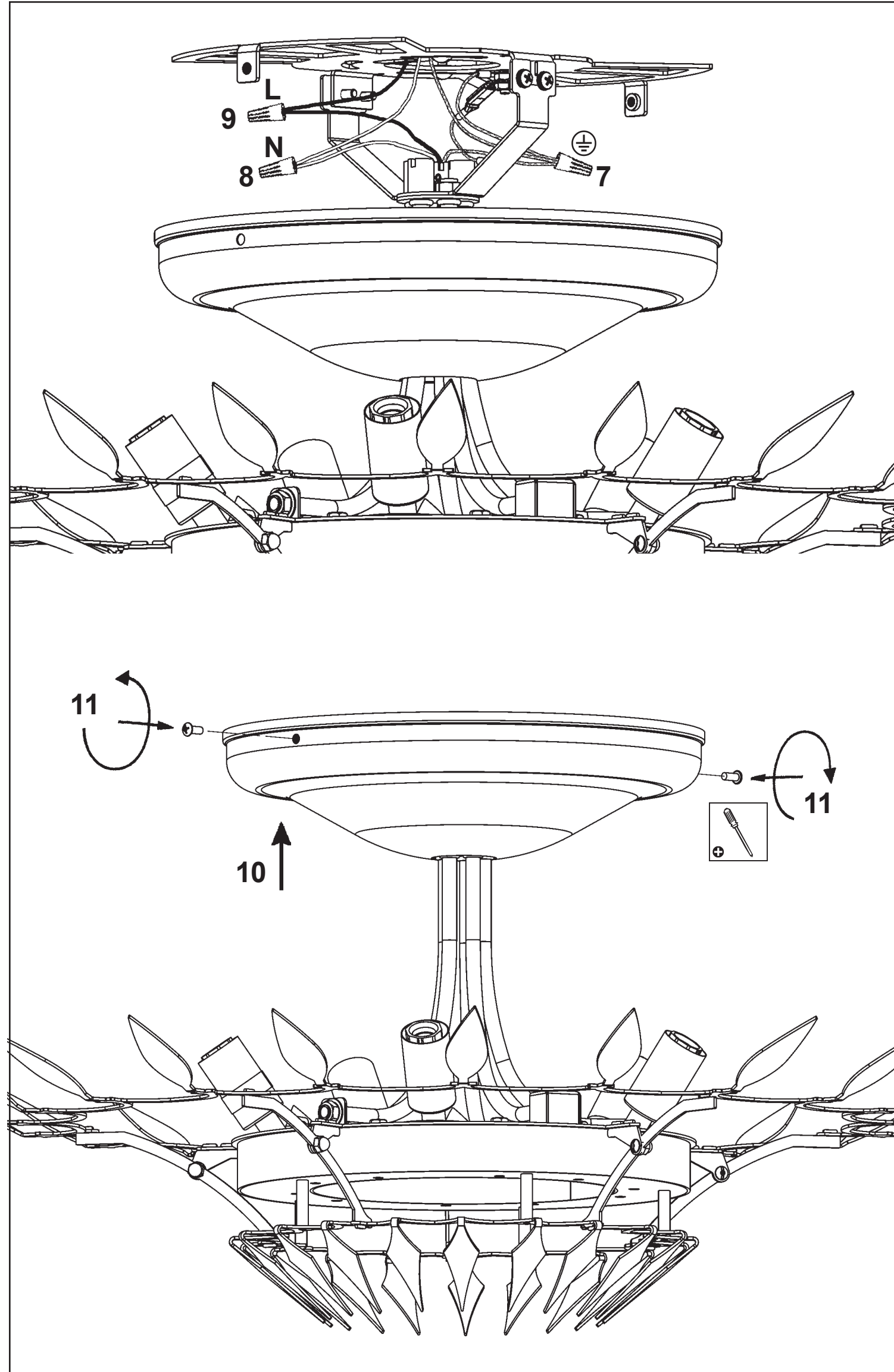
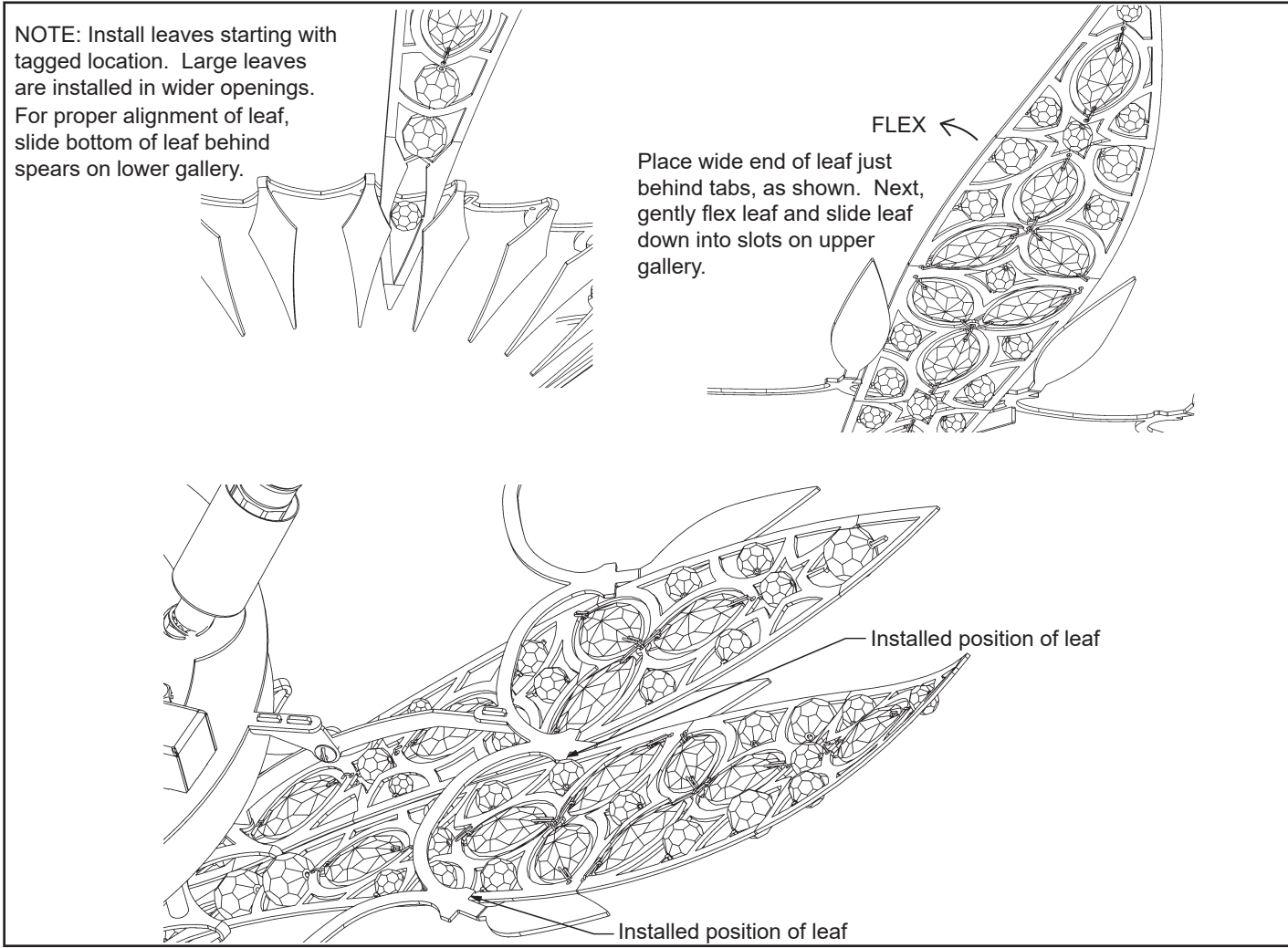
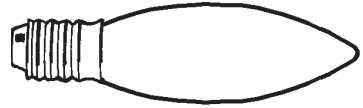


FIGURE 2

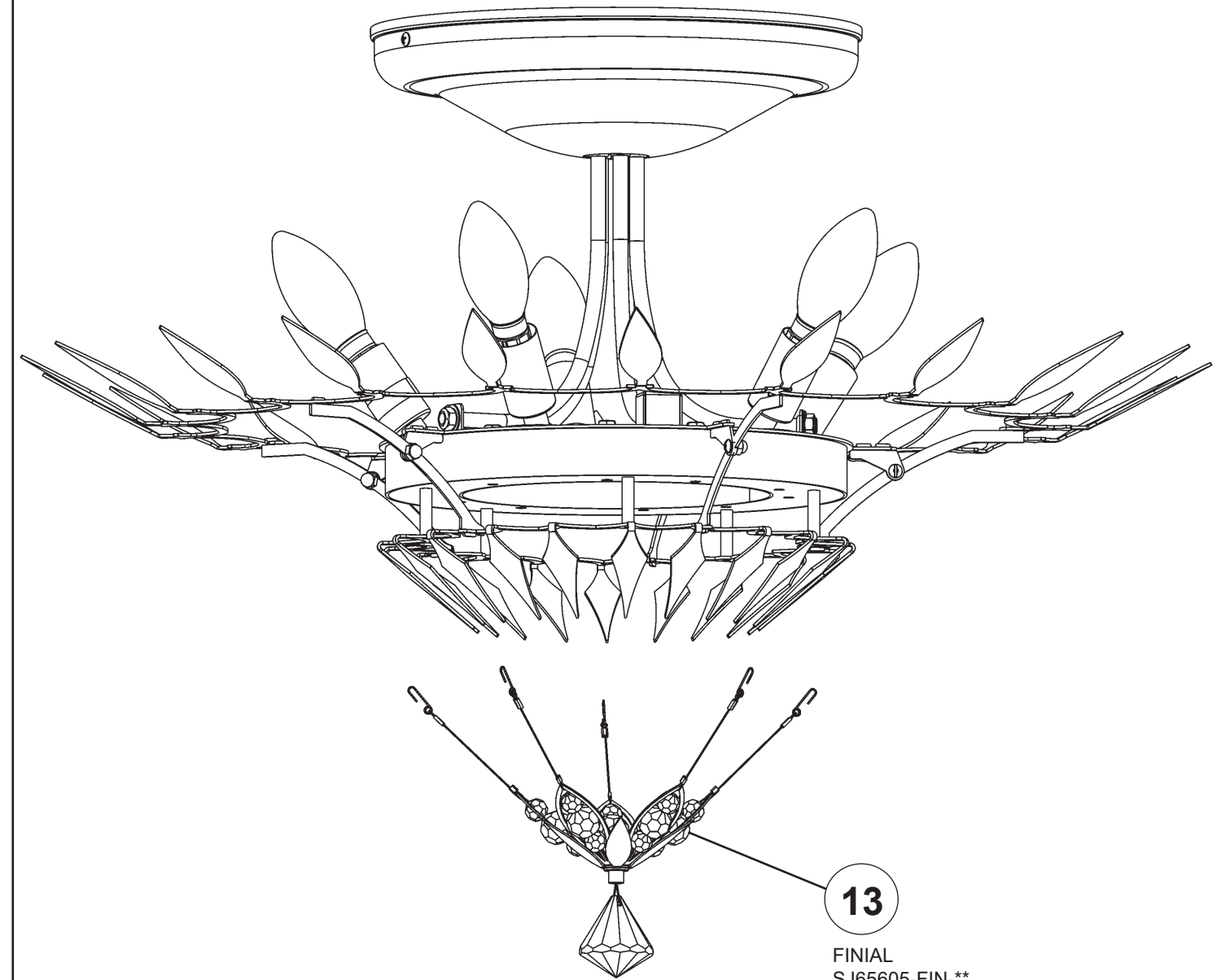
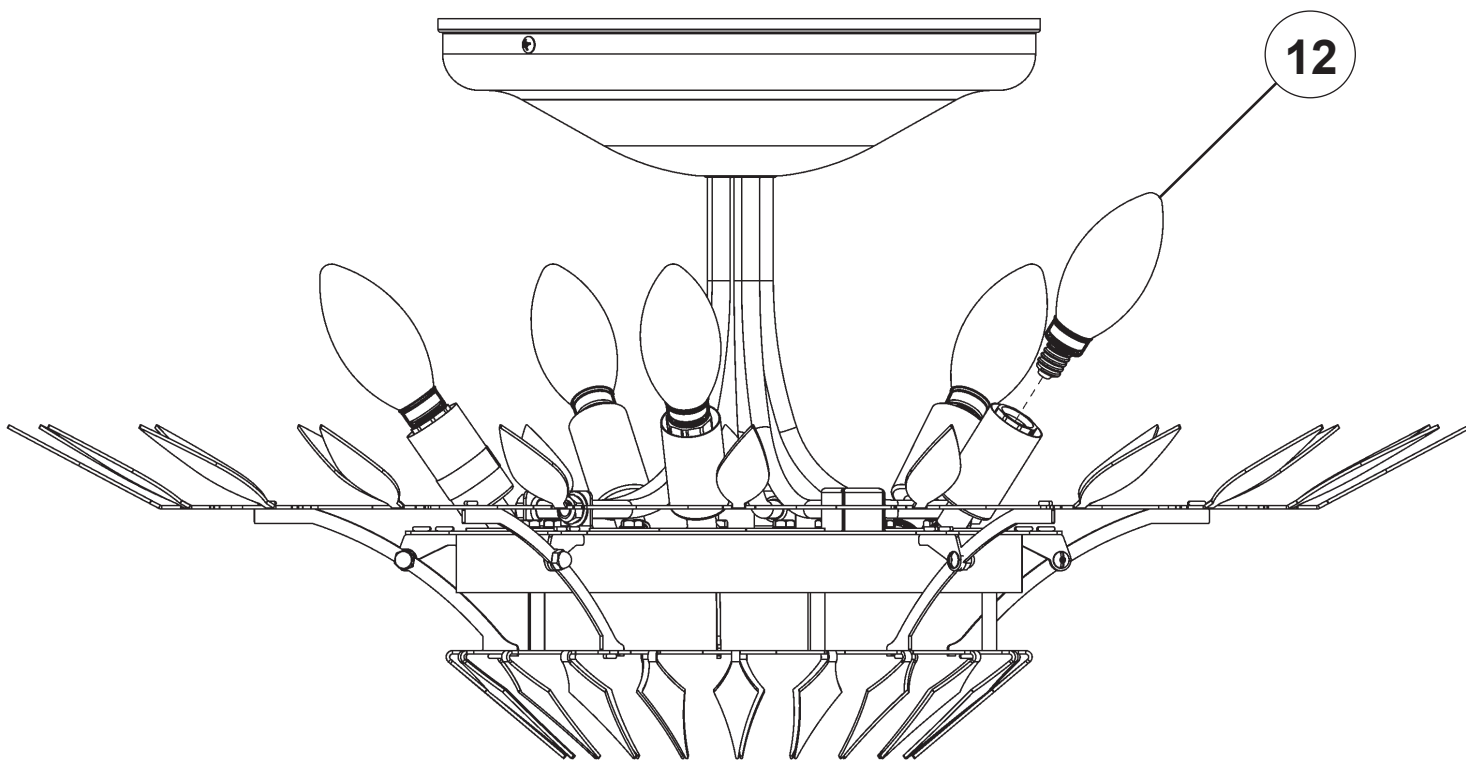
NOTE: Install leaves starting with tagged location. Large leaves are installed in wider openings. For proper alignment of leaf, slide bottom of leaf behind spears on lower gallery.





You will need 5 - B10
25 Watts Recommended
60 Watts Max

**Install bulbs and be sure
to test fixture BEFORE
trimming.**



13

FINIAL
SJ65605-FIN-**
NOTE: Insert connectors,
attached to cables, into holes
on frame. See Figure 1 for
detailed attachment
instructions.

FIGURE 1

